

LightMAX

ROC02

24 power LED module



7 YEARS WARRANTY

CC CONSTANT CURRENT



FEATURES

- PCB dimension: 147x47mm
- Up to 17167 lm
- Up to 203 lm/W
- CRI 70
- Max Electrical Insulation 150V
- Max 4 LED boards in series
- Connection type: Wago 4mm 2 pole
- Lifetime > 100000h @ 700mA< if < 1050mA L90B10
- Suitable for IP 24 Relamping Kit for outdoor

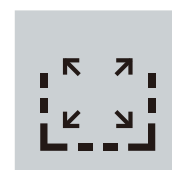
APPLICATIONS



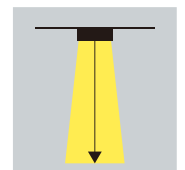
Street



Industrial



Area



High Bay

LightMAX

ROC02

24 power LED module



7 YEARS WARRANTY

CC CONSTANT CURRENT

Code	CCT	CRI	Current [mA]	Voltage [V]	Power [W]	Total Lumen [lm]	Lm/W	Energy Efficiency
ROC02012770	2700K	70	900	33	29.7	5620	189	C
			2800	35.6	99.7	15995	160	D
ROC02013070	3000K		900	33	29.7	5769	194	C
			2800	35.6	99.7	16419	165	D
ROC02014070	4000K		900	33	29.7	6031	203	B
			2800	35.6	99.7	17167	172	D
ROC02015070	5000K		900	33	29.7	6031	203	B
			2800	35.6	99.7	17167	172	D

Flux tolerance +/- 10%
Vf Tolerance +/- 5%

Ask for more information about available LED and other options.

LED and board features	
LED number	24
LED type	5050
Circuit	S6P4
Material	Aluminium
Solder	White
Connections	
Cable	Solid 0,2-0,8mm2 Strand 0,45-0,7mm2
Connector	1x Wago 4mm 2 pole
Power	
Abs.Input current CC Min Max	900 - 2800mA
Mechanical Data	
L x H	147x46.2mm
Thickness	6.1mm
Conditions	
Max. temp. (Tp)	+105°C
Max. temp. (Tc)	+100°C
Operating temp. Range	-40°C +65°C

LightMAX

ROC02

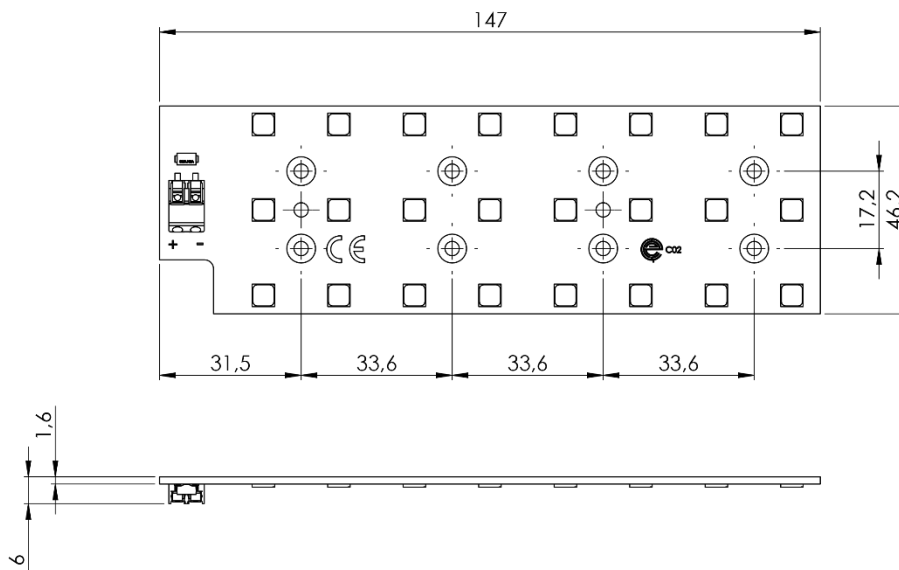
24 power LED module

7 YEARS WARRANTY

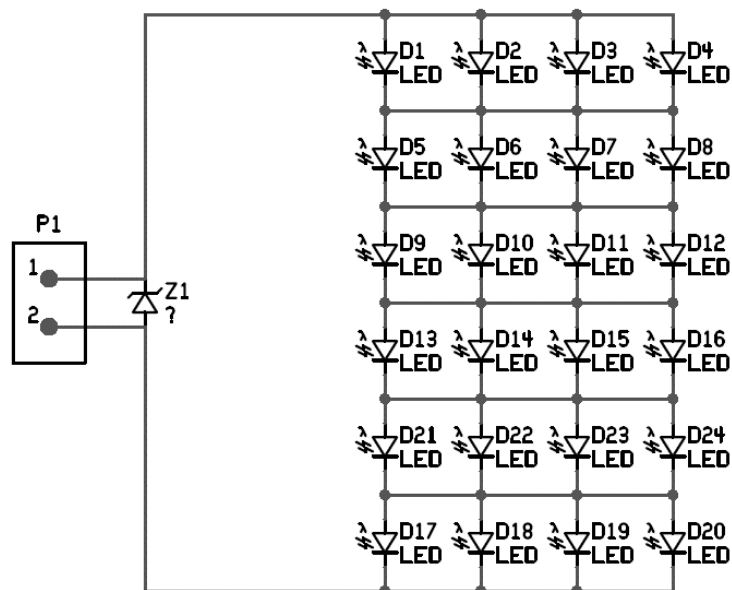


CC CONSTANT CURRENT

MECHANICAL DRAWING



ELECTRICAL CIRCUIT



LightMAX

ROC02

Accessories



7 YEARS WARRANTY

CC CONSTANT CURRENT



LED optics: EMZ series + Waterproof Gasket	
View Angle (Fwhm)	60° / 90° / 150°
Dimension - Type	173x71,4x10,1 mm - 24 in 1
Material	PC LEV1700KL @ -40°C~+110°C
Efficiency	> 90%
Heat sink: HSAL1444	
Dimension	200x70x40mm
Material/Finish	Anodized aluminium
Thermal wattage	70W
Power supply: DBLD075C140DNS / BLD-096-C210-DRS	
Dimensions (LxWxH)	158x68x33,5mm / 158x68x38,5mm
Protection type	IP67
Output	75 / 96W
Input	90-305Vac

LightMAX

R0C02

Accessories



7 YEARS WARRANTY

CC CONSTANT CURRENT

IP 24 Relamping Kit

