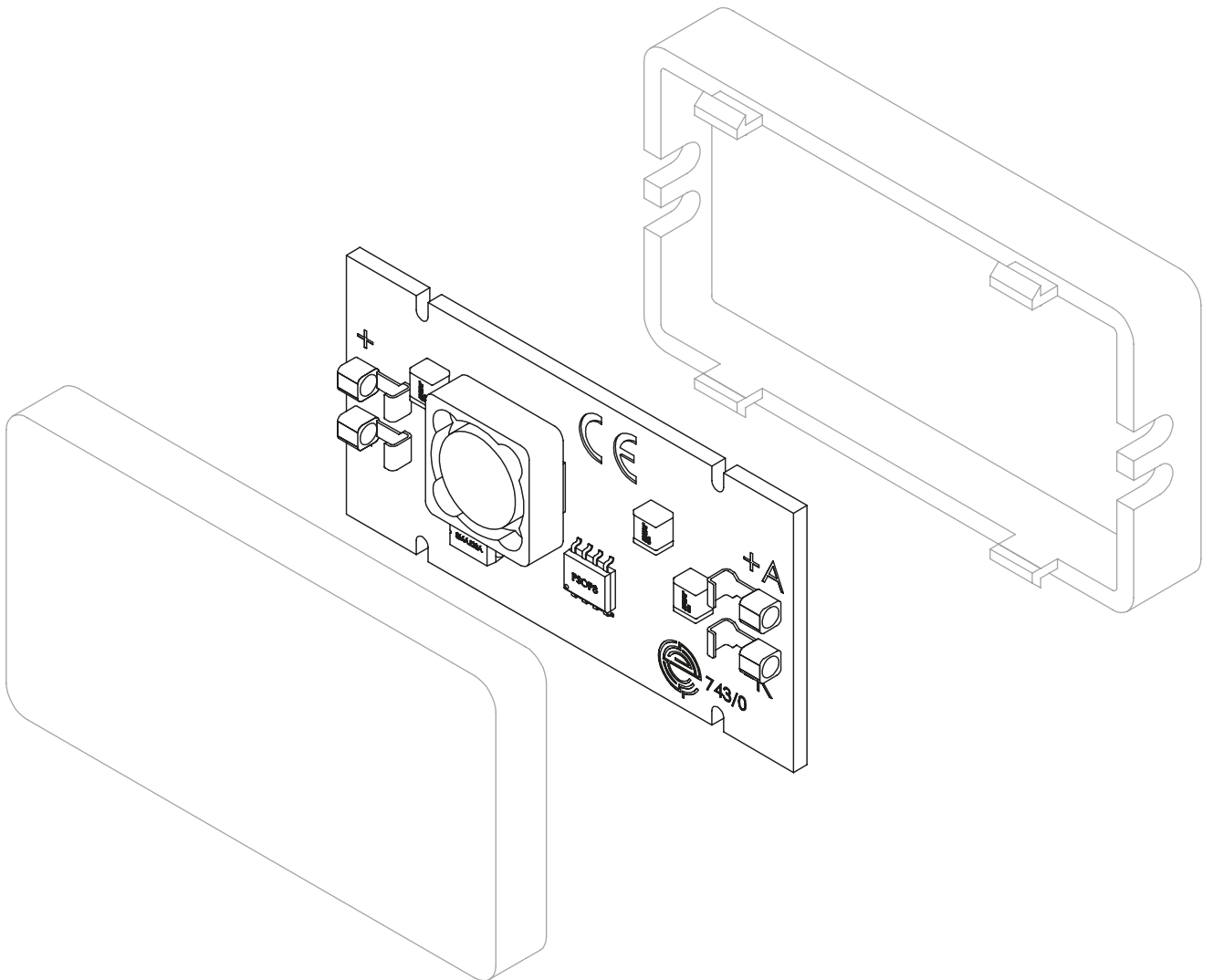


Special**RED**

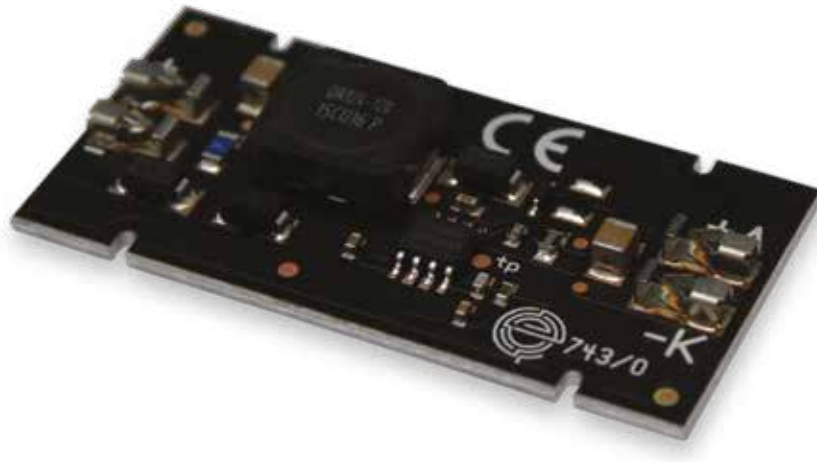
Driver modules



SpecialRED

Step-up converter | R5743

DATASHEET



Features

- PCB dimension: 53x27mm;
- Step up converter with an adjustable current capability;
- Input: 20V to 28V;
- Output: 31V to 36V@ Vin 24Vdc;
- PWM dimming;
- Protected from polarity inversion;
- Open circuit protection;
- Voltage surge protection;
- Use only in dry environments.

Board features

Material	MCPCB
Solder	Black
Connections	
Cable	Optional
Connector	AVX 70-9296 2.5mm Poke
Conditions	
Max. temp. (Tc)	90°C
Operating temp. Range	-40°C to +85°C

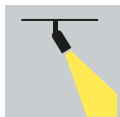
Applications



Indoor



Commercial



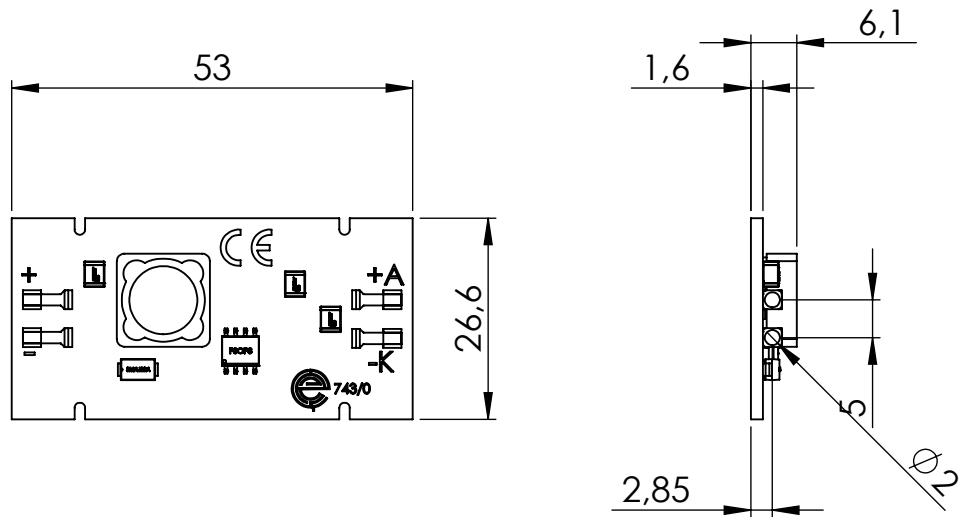
Spotlight

Code	Power Supply [Vdc]	Output current [mA]	Power output [W]	Dimension [mm]
R574300DRIV100	20-28	1400	50,4 @24Vdc	53x26,6x6,1mm

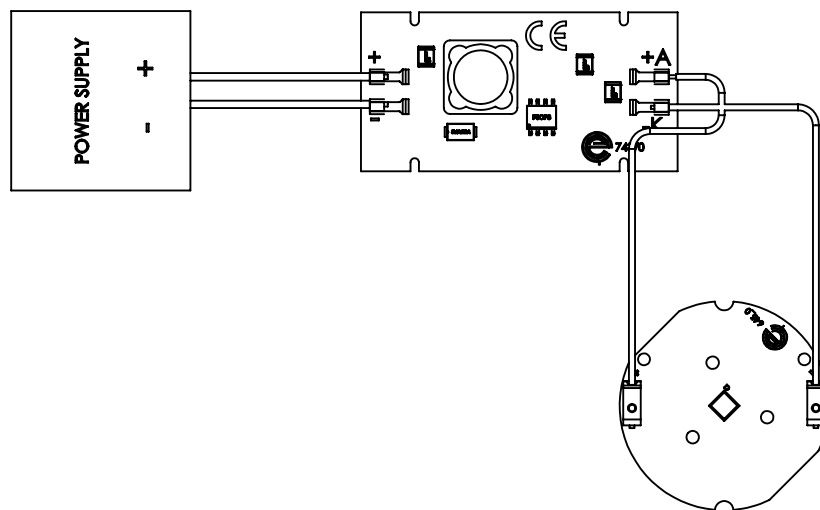
SpecialRED

Step-up converter | R5743

Mechanical drawing



Wiring diagram



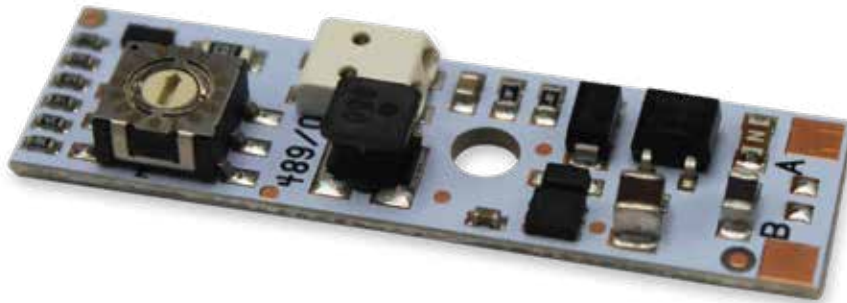
Product kit



SpecialRED

DATASHEET

Programmable and dimmable LED driver for Stucchi track adapters | R5489



Features

- PCB dimension: 48x14mm;
- Compatible with low voltage electrified rails, Multisystem Stucchi series or similar versions;
- Step-down converter;
- Programmable current output @150/900mA;
- Input voltage: 19V to 51V;
- Output voltage: min 6.5V;
- PWM dimming;
- WAGO 2059 series 2 pole;
- Protected against voltage peaks and short circuit;
- Use only in dry environments.

Board features

Material	Aluminum
Solder	White
Connections	
Cable	Optional
Connector	Wago 2059 series 2 Pole
Conditions	
Max. temp. (Tc)	90°C
Operating temp. Range	-40°C to +85°C

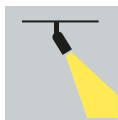
Applications



Indoor



Commercial



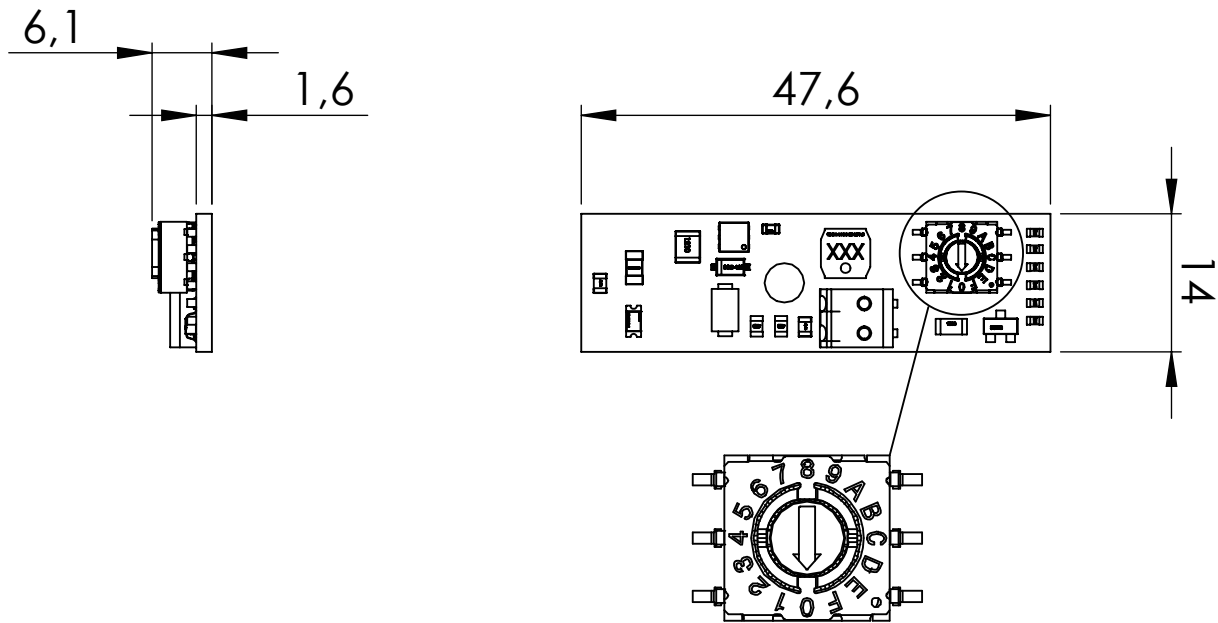
Spotlight

Code	Power Supply [Vdc]	Output current [mA]	Power output [W]	Dimension [mm]
R548911DRV1100	24-48	150-900	0,97-43,2	47,6x14x6,1mm
R548911DRV1101	24-48	350	8,4-16,8	

SpecialRED

Programmable and dimmable LED driver for Stucchi track adapters | R5489

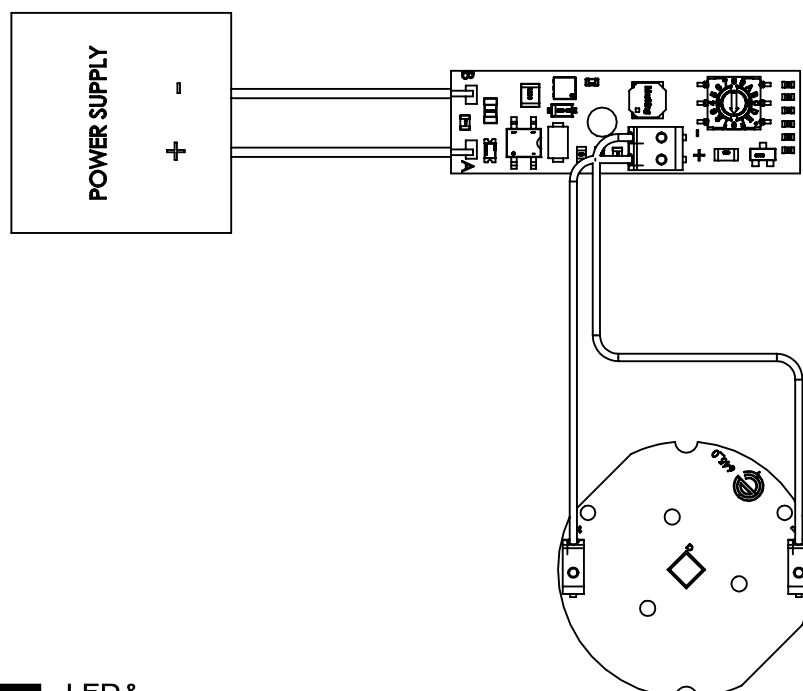
Mechanical drawing



Output current configuration

Position Selector	0	1	2	3	4	5	6	7	8	9	A	B	C	D	E	F
Current (mA)	150	250	300	370	450	500	550	600	700	750	770	800	830	860	870	900

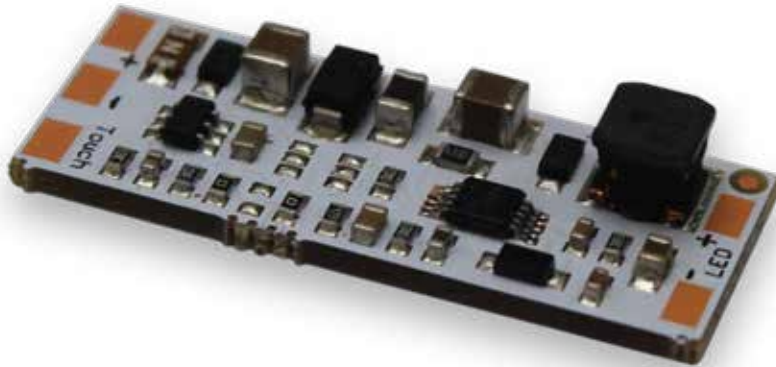
Wiring diagram



SpecialRED

Touch control dimmer | R5695

DATASHEET



Features

- PCB dimension: 35x18,5mm;
- Dimmable touch drive;
- Input voltage: 24Vdc;
- Output: 12Vdc@0,5A;
- Other current set available on request;
- Protection against reverse polarity and overvoltage.

Board features

Material	FR4
Solder	White
Conditions	
Max. temp. (Tc)	90°C
Operating temp. Range	-40°C to +85°C

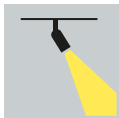
Applications



Indoor



Commercial



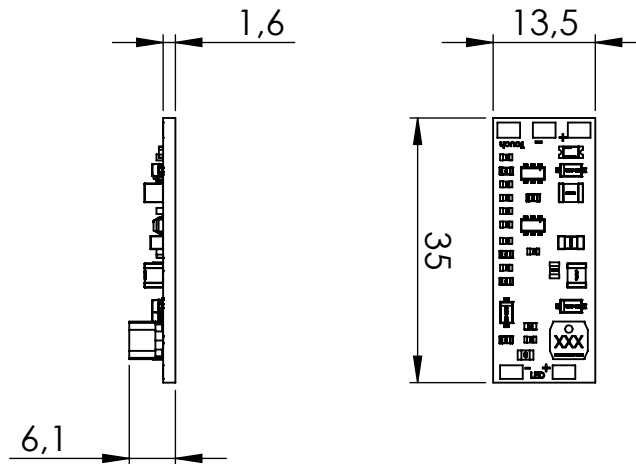
Spotlight

Code	Power Supply [Vdc]	Output current [mA]	Power output [W]	Dimension [mm]
R569510DRIV100	24	500	6	35x13,5x6,1

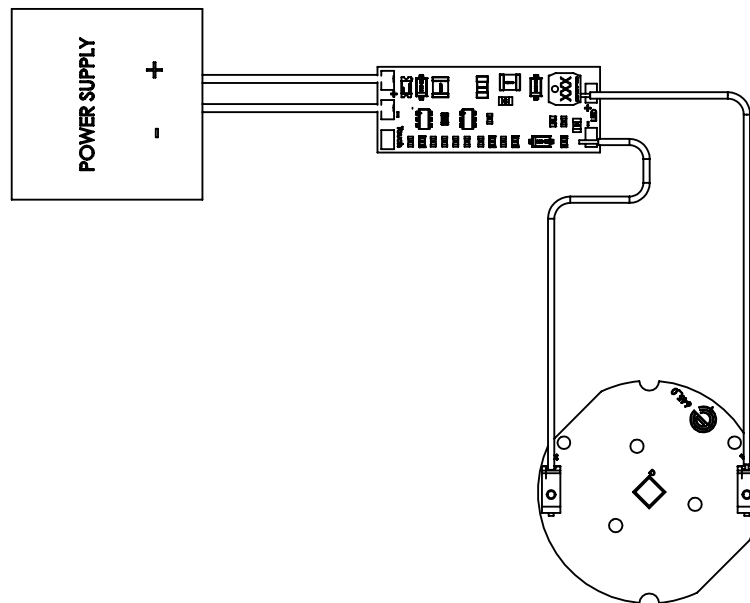
SpecialRED

Touch control dimmer | R5695

Mechanical drawing



Wiring diagram



Operation

- From off: immediate touch ignition with a fade in; extending the touch, the brightness gradually increases until the dimmer is released or 100%.
- From on: alternating extended touches, the brightness increases or decreases from 100% to 10%.
- From on: at the release of a short touch, the luminaire turns off with a fade out.
- Turning the luminaire back on resets the same brightness level as when it was last turned off.

Operation diagram

