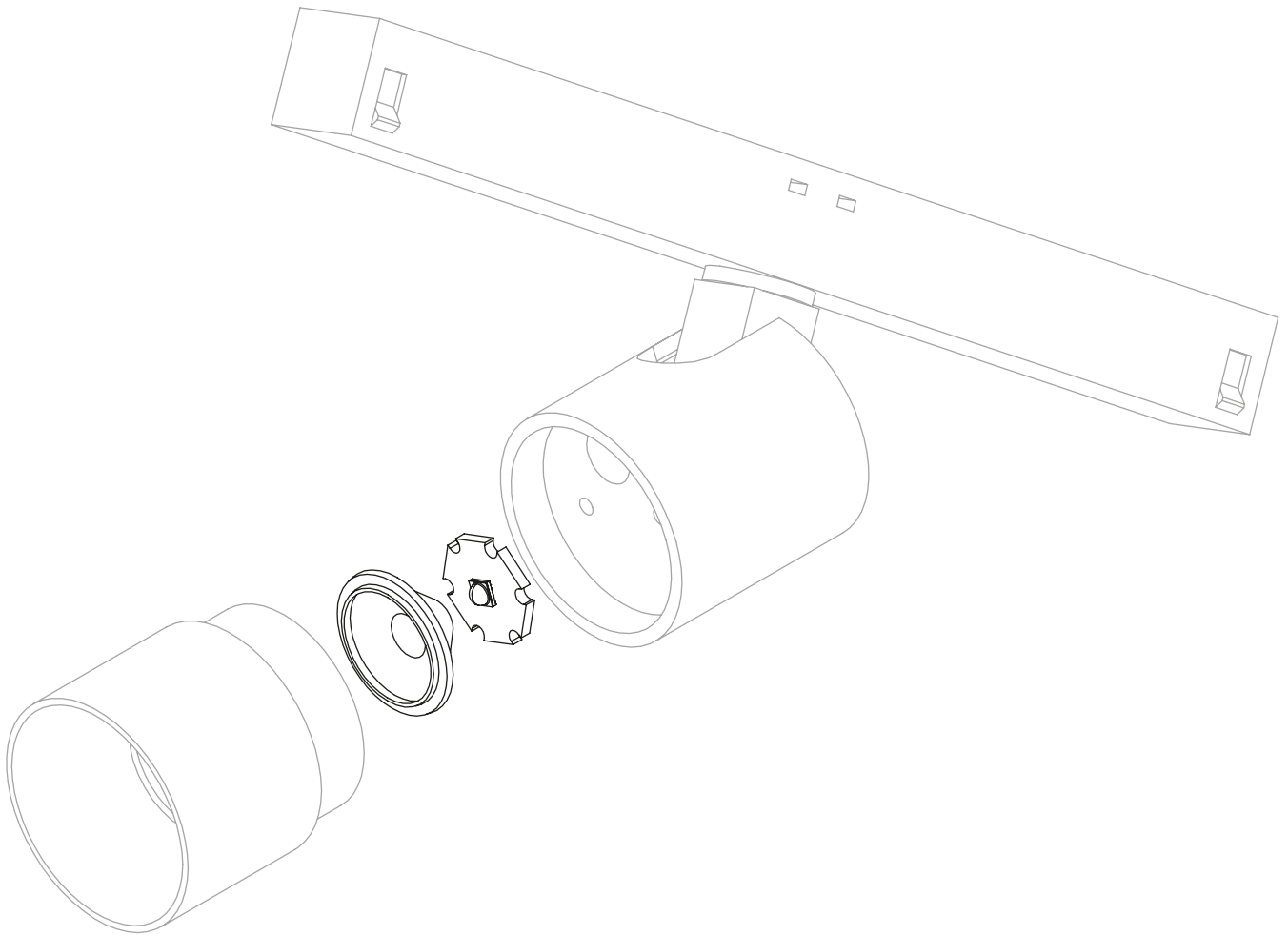
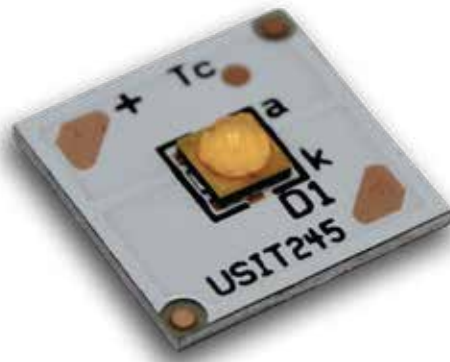


# DotMAX

Spot lighting solutions



3535 footprint spot module, CXA 13xx compatible | R3245



## Features

- PCB dimension: 13,35x13,35mm;
- Up to 350 lm;
- Up to 207 lm/W;
- CRI 70, 80, 90;
- Max Electrical Insulation 250V;
- Lifetime >60000h @ 500mA;
- LED options: Nichia 319, CREE XPG3/XHP35/XPL.

## Applications



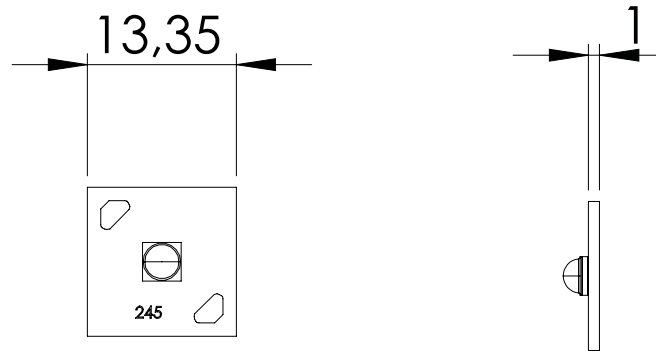
Code	CCT	CRI	Current [mA]	Voltage [V]	Power [W]	Total Lumen [lm]	lm/W	Energy Efficiency
R3245013070	3000K	70	350	2,62	0,92	170	185	
			700	2,75	1,93	310	161	
R3245014070	4000K		350	2,62	0,92	170	185	
			700	2,75	1,93	310	161	
R3245015070	5000K		350	2,66	0,93	192	207	
			700	2,8	1,96	350	179	



# DotMAX

3535 footprint spot module, CXA 13xx compatible | R3245

## Mechanical drawing



## Accessories



Lenses			
Part number	Beam angle	Size	Connector
LL01CR-CHQ24L02	24°	35mm	LL01A00CSLB2 LL01A00CSNB2
LL01CR-CHQ38L02	38°	35mm	
LL01CR-CHQ45L02	45°	35mm	
LL01CR-CEW12L52	12°	50mm	LL01A00CWFB2 LL01A00CWGB2 (Solder-Free)
LL01CR-CEW24L52	24°	50mm	
LL01CR-CEW38L52	38°	50mm	
LL01CR-CEW45L52	45°	50mm	
LL01CR-CEW60L52	60°	50mm	
LL01CR-CEW2731L52	27° x 31°	50mm	
LL01CR-CEW3662L52	36° x 62°	50mm	
LL01CR-CEW3864L52	38° x 64°	50mm	

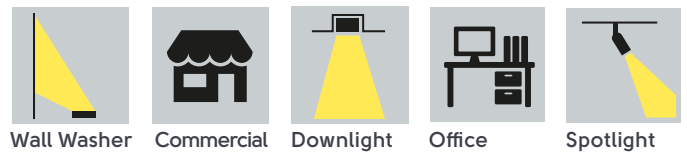
5050 footprint spot module, CXA 13xx compatible | R3246



## Features

- PCB dimension: 13,35x13,35mm;
- Up to 622 lm;
- Up to 152 lm/W;
- CRI 70, 80, 90;
- Max Electrical Insulation 250V;
- Lifetime >60000h @ 500mA.

## Applications



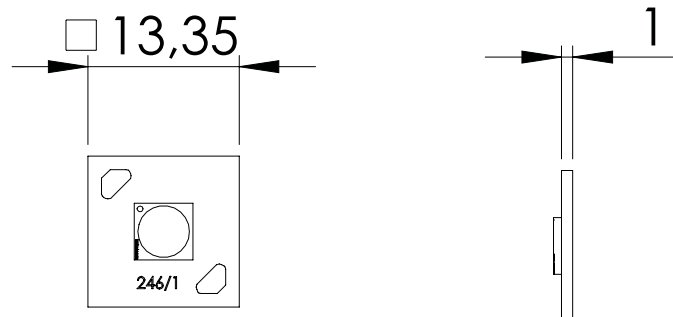
Code	CCT	CRI	Current [mA]	Voltage [V]	Power [W]	Total Lumen [lm]	lm/W	Energy Efficiency
R3246013070	3000K	70	350	5,72	2	332	166	
			700	6,17	4,32	622	144	
R3246014070	4000K		350	5,72	2	303	152	
			700	6,17	4,32	568	131	
R3246015070	5000K		350	5,72	2	303	152	
			700	6,17	4,32	568	131	



# DotMAX

5050 footprint spot module, CXA 13xx compatible | R3246

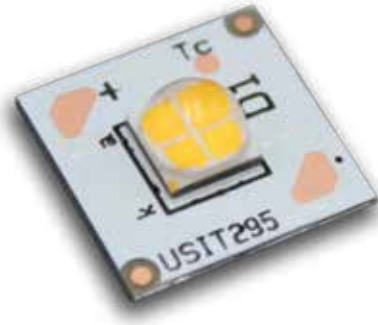
## Mechanical drawing



## Accessories



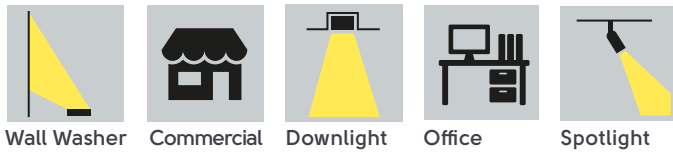
Lenses			
Part number	Beam angle	Size	Connector
LL01CR-CHQ24L02	24°	35mm	LL01A00CSLB2 LL01A00CSNB2 LL01A00CWFB2 LL01A00CWGB2 (Solder-Free)
LL01CR-CHQ38L02	38°	35mm	
LL01CR-CHQ45L02	45°	35mm	
LL01CR-CEW12L52	12°	50mm	
LL01CR-CEW24L52	24°	50mm	
LL01CR-CEW38L52	38°	50mm	
LL01CR-CEW45L52	45°	50mm	
LL01CR-CEW60L52	60°	50mm	
LL01CR-CEW2731L52	27° x 31°	50mm	
LL01CR-CEW3662L52	36° x 62°	50mm	
LL01CR-CEW3864L52	38° x 64°	50mm	



## Features

- PCB dimension: 13,35x13,35mm;
- Up to 1032 lm;
- Up to 155 lm/W;
- CRI 70, 80, 90;
- Max Electrical Insulation 250V;
- Lifetime >60000h @ 500mA.

## Applications



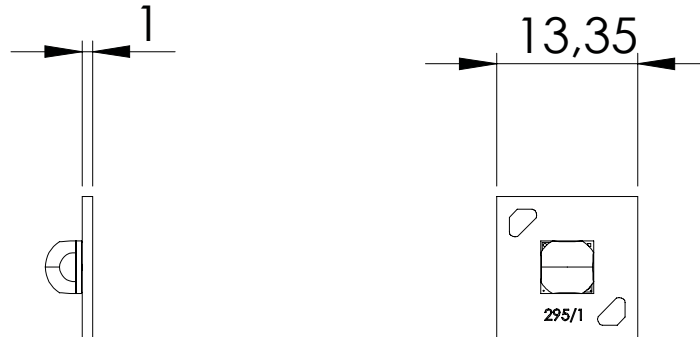
Code	CCT	CRI	Current [mA]	Voltage [V]	Power [W]	Total Lumen [lm]	lm/W	Energy Efficiency
R3295013070	3000K	70	350	11,05	3,87	558	144	
			700	11,5	8,05	963	120	
R3295014070	4000K		350	11,05	3,87	558	144	
			700	11,5	8,05	963	120	
R3295015070	5000K		350	11,05	3,87	598	155	
			700	11,5	8,05	1032	128	



# DotMAX

XHP50 spot module, CXA 13xx compatible | R3295

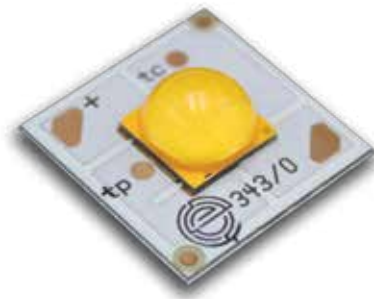
## Mechanical drawing



## Accessories



Lenses			
Part number	Beam angle	Size	Connector
LL01CR-CHQ24L02	24°	35mm	LL01A00CSLB2 LL01A00CSNB2 LL01A00CWFB2 LL01A00CWGB2 (Solder-Free)
LL01CR-CHQ38L02	38°	35mm	
LL01CR-CHQ45L02	45°	35mm	
LL01CR-CEW12L52	12°	50mm	
LL01CR-CEW24L52	24°	50mm	
LL01CR-CEW38L52	38°	50mm	
LL01CR-CEW45L52	45°	50mm	
LL01CR-CEW60L52	60°	50mm	
LL01CR-CEW2731L52	27° x 31°	50mm	
LL01CR-CEW3662L52	36° x 62°	50mm	
LL01CR-CEW3864L52	38° x 64°	50mm	



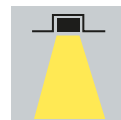
## Features

- PCB dimension: 15,85x15,85mm;
- Up to 1635 lm;
- Up to 139 lm/W;
- CRI 70, 80, 90;
- Max Electrical Insulation 250V;
- Lifetime >60000h @ 500mA.

## Applications



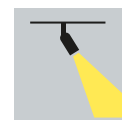
Commercial



Downlight



Office



Spotlight

Code	CCT	CRI	Current [mA]	Voltage [V]	Power [W]	Total Lumen [lm]	lm/W	Energy Efficiency
R3343013070	3000K	70	700	10,9	7,63	923	121	
			1050	11,2	11,76	1420	121	
R3343014070	4000K		700	10,9	7,63	988	129	
			1050	11,2	11,76	1520	129	
R3343015070	5000K		700	10,9	7,63	1063	139	
			1050	11,2	11,76	1635	139	

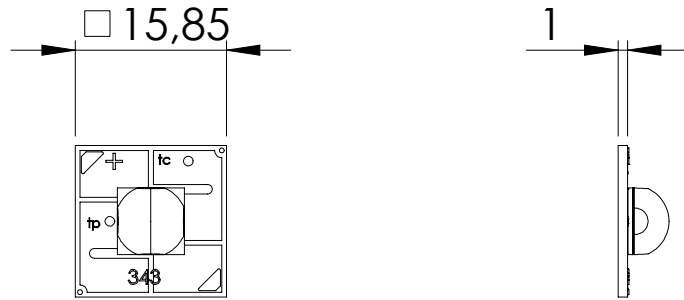




# DotMAX

XHP70 spot module, CXA 15xx compatible | R3343

## Mechanical drawing



## Accessories



### Lenses

Part number	Beam angle	Size	Connector
LL01CR-CEN12L52	12°	70mm	LL01A00CSKB2 LL01NIWZ24H2 LL01A00CWHB2 LL01A00CWDB2 (Solder-Free)
LL01CR-CEN24L52	24°	70mm	
LL01CR-CEN38L52	38°	70mm	
LL01CR-CEN45L52	45°	70mm	
LL01CR-CEN60L52	60°	70mm	

# DotMAX

68,5mm spot module, 5050 flat LEDs | R3A54

DATASHEET

NEW



## Features

- PCB dimension: 68,5mm;
- Up to 1809 lm;
- Up to 167 lm/W;
- CRI 70, 80, 90;
- Max Electrical Insulation 230V;
- Max 9 LED boards in series;
- Connection type: AVX 70-9296 2.5mm;
- Lifetime >60000h @ Ts=85°C a 350mA;
- 24V CV version available on request.

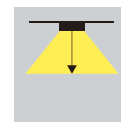
## Applications



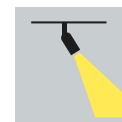
Commercial



Downlight



Low Bay



Spotlight



Indoor

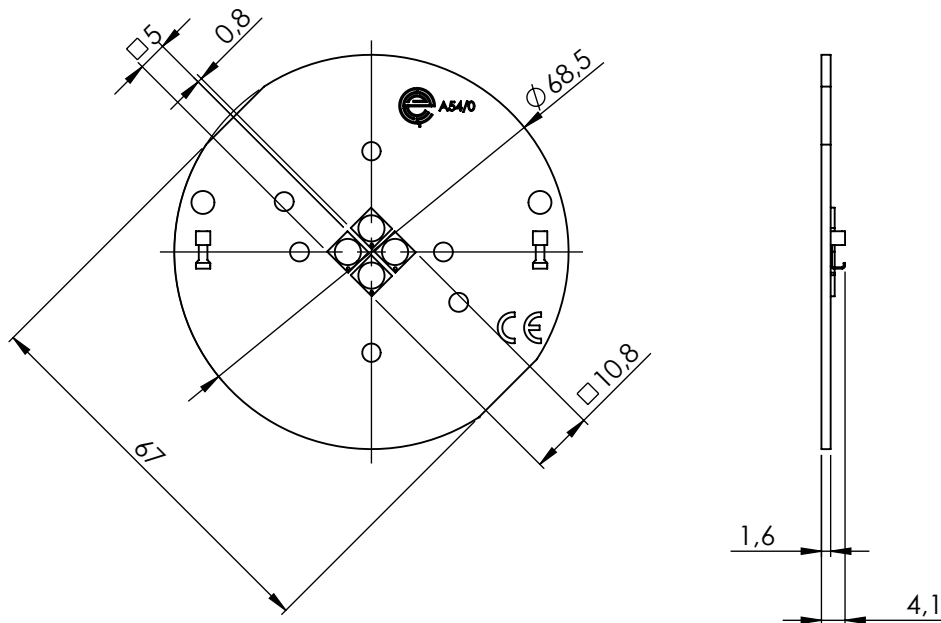
Code	CCT	CRI	Current [mA]	Voltage [V]	Power [W]	Total Lumen [lm]	lm/W	Energy Efficiency
R3A54013080	3000K	80	350	22,5	7,8	1285	165	
			500	23,1	11,5	1784	155	
R3A54014080	4000K		350	22,5	7,8	1303	167	
			500	23,1	11,5	1809	157	



# DotMAX

68,5mm spot module, 5050 flat LEDs | R3A54

## Mechanical drawing



## Accessories



## Lenses

Part number	Beam angle	Size	Connector	
LL01CR-CEN12L02	12°	70mm	LL01A00CSKB2 LL01NIWZ24H2	
LL01CR-CEN24L02	24°	70mm		
LL01CR-CEN38L02	38°	70mm		
LL01CR-CEN45L02	45°	70mm		
LL01CR-CEN60L02	60°	70mm		
LL01CR-CEN2530L02	25° x 30°	70mm		LL01A00CWHB2 LL01A00CWDB2 (Solder-Free)
LL01CR-CEN3560L02	35° x 60°	70mm		
LL01CR-CFE12L02	12°	70mm		LL01A00CWEB2 (Solder-Free)
LL01CR-CFE24L02	24°	70mm		
LL01CR-CFE38L02	38°	70mm		
LL01CR-CEO12L02	12°	90mm		
LL01CR-CEO24L02	24°	90mm		
LL01CR-CEO38L02	38°	90mm		
LL01CR-CEO60L02	60°	90mm		

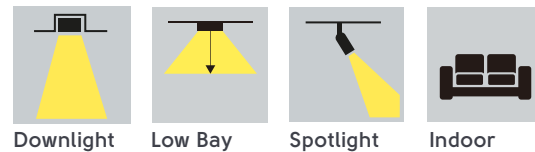
Heat sink			Power supply			
Dimension (DxH)	Material	Thermal wattage	Dimension (LxWxH)	Protection type	Output	Input
68x30mm	Anodized aluminum	16,5W	127x50x12mm	IP20	500mA – 12/24V	220-240VaC



## Features

- PCB dimension: 28x28mm;
- Up to 1788 lm;
- Up to 115 lm/W;
- CRI 90;
- Max Electrical Insulation 250Vdc;
- Max 6 LED boards in series;
- Connection type: cable;
- Lifetime >60000h @ 85°C 500mA;
- Available with higher ESD protector;
- Designed for DTQ lens by LedLink Optics.

## Applications



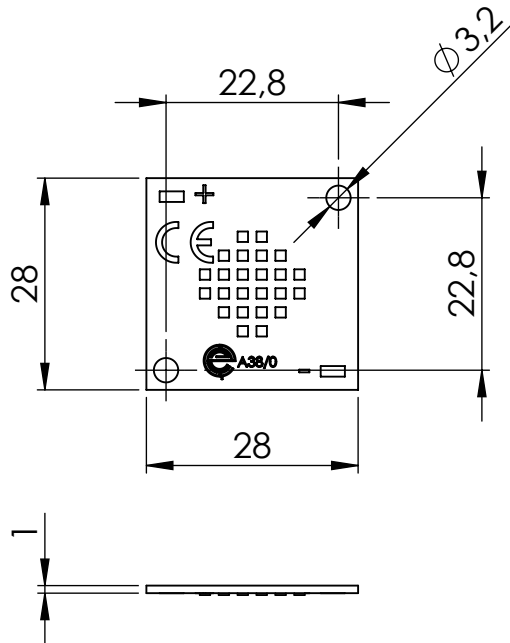
Code	CCT	CRI	Current [mA]	Voltage [V]	Power [W]	Total Lumen [lm]	lm/W	Energy Efficiency
R3A38012790	2700K	90	350	32,4	11,3	1203	106	
			500	32,9	16,4	1677	102	
R3A38013090	3000K		350	32,4	11,3	1297	115	
			500	32,9	16,4	1788	109	
R3A38014090	4000K		350	32,4	11,3	1297	115	
			500	32,9	16,4	1788	109	



# DotMAX

CoB module 24 CSP LEDs, CLL04x compatible | R3A38

## Mechanical drawing



## Accessories



### Lenses

Part number	Beam angle	Diameter	Connector
LL01ZZ-DTQ15L02-M2	15°	150mm	LL01A00SVQB2 LL01A00SWEB2
LL01ZZ-DTQ24L02-M2	24°	150mm	
LL01ZZ-DTQ38L02-M2	38°	150mm	
LL01ZZ-DTQ45L02-M2	45°	150mm	
LL01ZZ-DTQ60L02-M2	60°	150mm	

Heat sink			Power supply			
Dimension (DxH)	Material	Thermal wattage	Dimension (LxWxH)	Protection type	Output	Input
80x50mm	Black Anodized	21W	85,3x41x22mm	IP20	25W	220-240VaC



## Features

- PCB diameter: 25mm;
- Up to 706 lm;
- Up to 133 lm/W;
- CRI 80, 90;
- Max Electrical Insulation 250V;
- Max 20 LED boards in series;
- Lifetime > 60000h @ 85°C 500mA;
- Compatible with LEDiL Heidi lens.

## Applications



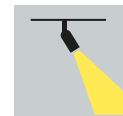
Commercial



Downlight



Office



Spotlight

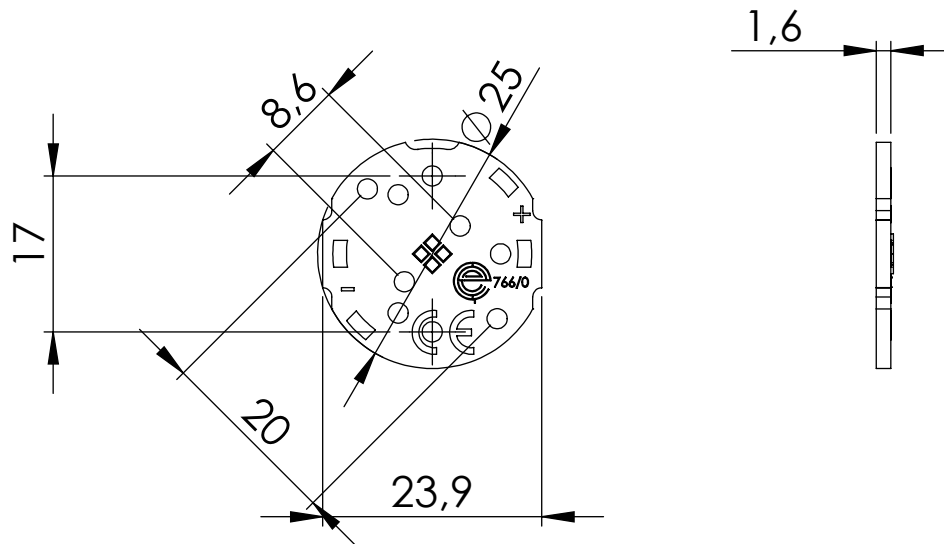
Code	CCT	CRI	Current [mA]	Voltage [V]	Power [W]	Total Lumen [lm]	lm/W	Energy Efficiency
R3766013080	3000K	80	350	11,5	4	496	124	
			500	11,8	5,9	700	119	
R3766014080	4000K		350	11,5	4	532	133	
			500	11,8	5,9	706	120	
R3766013090	5000K	90	350	11,5	4	400	100	
			500	11,8	5,9	571	97	
R3766014090	5000K		350	11,5	4	436	109	
			500	11,8	5,9	622	106	



# DotMAX

25mm spot module, 4 CSP LEDs | R3766

## Mechanical drawing



## Accessories



### Lenses

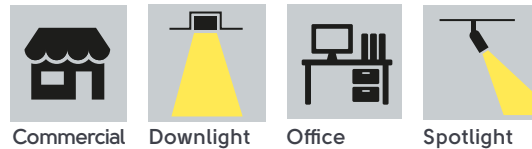
Part number	Beam angle
LL01CR-BLU3L06-M2-T	3°
LL01CR-BLU5L06-M2-T	5°
LL01CR-BLU520L06-M2-T	5° x 20°
LL01CR-BLUxx0L06-M2-T + LL01CR-DLX15L02	15°
LL01CR-BLUxx0L06-M2-T + LL01CR-DLX25L02	25°
LL01CR-BLUxx0L06-M2-T + LL01CR-DLX38L02	38°
LL01CR-BLUxx0L06-M2-T + LL01CR-DLX1035L02	10° x 35°
LL01CR-FL10L06-M2	10°
LL01CR-FL25L06-M2	25°
LL01CR-FL40L06-M2	40°
LL01CR-FL60L06-M2	60°
LL01CR-FL100L06-M2	100°
LL01CR-FL3065L06-M2	30° x 65°



### Features

- PCB diameter: 35mm;
- Up to 1007 lm;
- Up to 135 lm/W;
- CRI 80, 90;
- Max Electrical Insulation 250V;
- Max 20 LED boards in series;
- Connection type: WAGO 2059 series 1 pole;
- Lifetime >60000h @ 700mA;
- Compatible with LEDiL Heidi lens.

### Applications



Code	CCT	CRI	Current [mA]	Voltage [V]	Power [W]	Total Lumen [lm]	lm/W	Energy Efficiency
R3887002780	2700K	80	350	11,4	4	440	110	
			700	11,7	8,3	841	102	
R3887003080	3000K		350	11,2	3,9	410	104	
			700	11,7	8,2	810	99	
R3887004080	4000K		350	11,2	3,9	530	135	
			700	11,7	8,2	1007	123	
R3887002790	2700K		350	11,4	4	380	95	
			700	11,7	8,2	760	92	
R3887003090	3000K	350	11,2	3,9	420	107		
		700	11,7	8,2	800	98		
R3887004090	4000K	350	11,2	3,9	400	102		
		700	11,2	8,2	760	93		

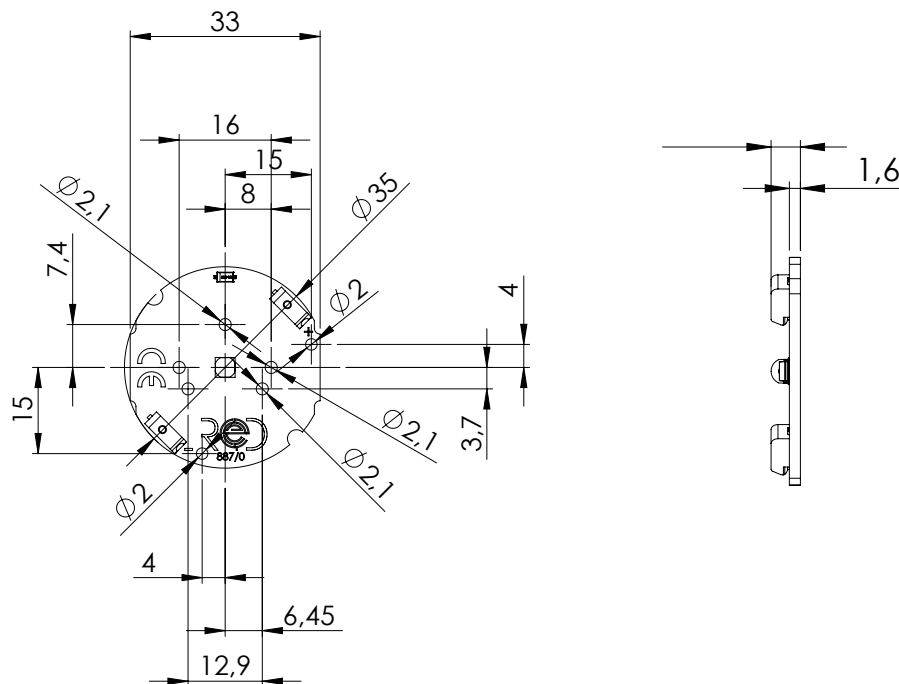




# DotMAX

XHP35 35mm spot module | R3887

## Mechanical drawing



## Accessories



## Lenses

Part number	Beam angle
LL01ZZ-AHA5L06-M2-T	5°
LL01ZZ-AHA10L06-M2-T	10°
LL01ZZ-AHAxxL06-M2-T + LL01ZZ-DCK15L52	15°
LL01ZZ-AHAxxL06-M2-T + LL01ZZ-DCK20L52	20°
LL01ZZ-AHAxxL06-M2-T + LL01ZZ-DCK30L52	30°
LL01ZZ-AHAxxL06-M2-T + LL01ZZ-DCK40L52	40°
LL01ZZ-AHAxxL06-M2-T + LL01ZZ-DCK60L52	60°
LL01CR-BLU3L06-M2-T	3°
LL01CR-BLU5L06-M2-T	5°
LL01CR-BLU520L06-M2-T	5° x 20°
LL01CR-BLUxx0L06-M2-T + LL01CR-DLX15L02	15°
LL01CR-BLUxx0L06-M2-T + LL01CR-DLX25L02	25°
LL01CR-BLUxx0L06-M2-T + LL01CR-DLX38L02	38°
LL01CR-BLUxx0L06-M2-T + LL01CR-DLX1035L02	10° x 35°
LL01CR-DEZ10115L06	10°x115°

24x20mm module, 1 power LED for dark light | R3757



## Features

- PCB dimension: 24x20mm;
- Up to 460 lm;
- Up to 182 lm/W;
- Max Electrical Insulation 100V;
- Max 30 LED boards in series;
- Connection type: AVX Poke 2mm 70-9296;
- Lifetime >60000h @ 700mA;
- Suitable for dark light applications;
- 5 power LEDs version available (R1536).

## Applications

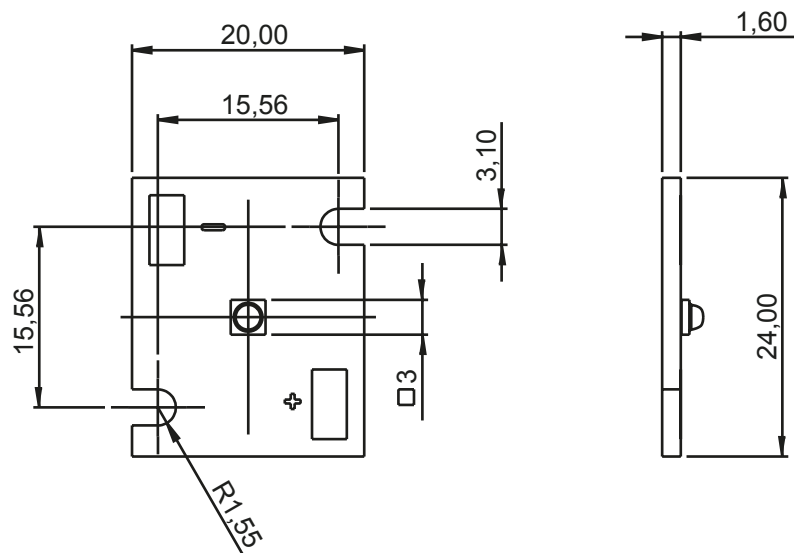


Code	CCT	CRI	Current [mA]	Voltage [V]	Power [W]	Total Lumen [lm]	lm/W	Energy Efficiency
R3757002790	2700K	90	350	2,85	1	170	170	
			700	3	2,1	311	148	
			1050	3,13	3,3	433	131	
R3757003090	3000K		350	2,85	1	176	176	
			700	3	2,1	320	152	
			1050	3,13	3,3	446	136	
R3757004090	4000K		350	2,85	1	181	181	
			700	3	2,1	329	157	
			1050	3,13	3,3	459	139	
R3757005090	5000K		350	2,85	1	181	182	
			700	3	2,1	330	157	
			1050	3,13	3,3	460	140	

# DotMAX

24x20mm module, 1 power LED for dark light | R3757

## Mechanical drawing



## Accessories



### Reflector

LLGXTD3015-1H1	Linear Reflector 15° SINGLE
LLGXTD3030-1H1	Linear Reflector 30° SINGLE
LLGXTD3045-1H1	Linear Reflector 45° SINGLE

### Shade

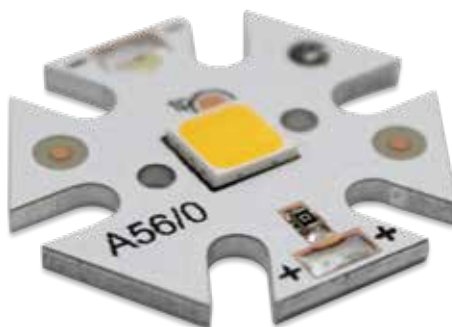
LLGXTD-30H1-01	Black Cover Single
----------------	--------------------

# DotMAX

Star LED module for dark light | R3A56

DATASHEET

NEW



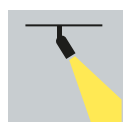
## Features

- PCB dimension: 25x23mm;
- Up to 603 lm;
- Up to 161 lm/W;
- CRI 80, 90;
- Max Electrical Insulation 250Vdc;
- Max 30 LED boards in series (6V);
- CV 24V version available;
- Connection type: solder pads;
- Lifetime > 60000h @ Ts=85°C;
- Available with XTD-30 Starry lens or reflector;
- Suitable for dark light applications.

## Applications



Commercial



Spotlight



Downlight



Office

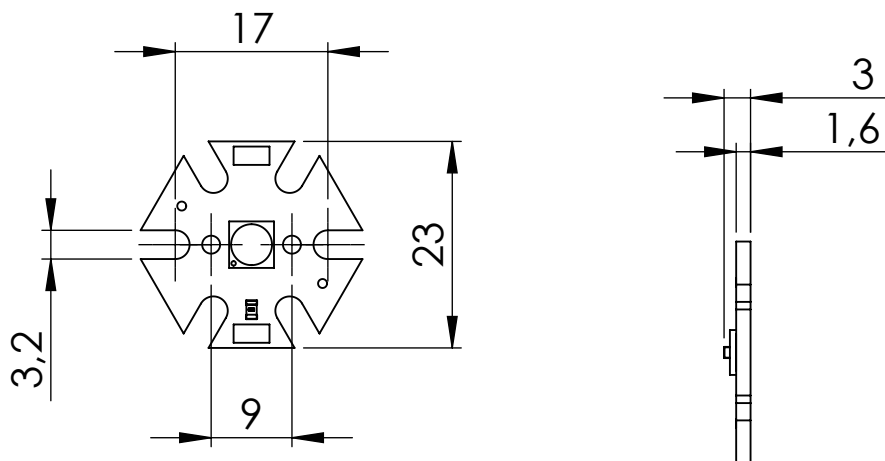
Code	CCT	CRI	Current [mA]	Voltage [V]	Power [W]	Total Lumen [lm]	lm/W	Energy Efficiency
R3A56012780	2700K	80	350	5,6	2	296	148	D A ↑ G
			700	5,9	4,1	555	135	E A ↑ G
R3A56013080	3000K		350	5,6	2	303	151	D A ↑ G
			700	5,9	4,1	569	139	E A ↑ G
R3A56014080	4000K		350	5,6	2	322	161	D A ↑ G
			700	5,9	4,1	603	147	E A ↑ G



# DotMAX

Star LED module for dark light | R3A56

## Mechanical drawing



## Accessories



### Reflector

LLGXTD30-Y-15D-R	Reflector 15°
LLGXTD30-Y-23D-R	Reflector 23°
LLGXTD30-Y-38D-R	Reflector 38°
LLGXTD30-Y-50D-R	Reflector 50°

### Holder

LLGXTD30-Y-R-ZJ	XTD30-Reflector Holder (LED3030)
-----------------	----------------------------------

### Anti glare cover

LLGXTD30-Y-TOP-08	XTD30-Chrome
LLGXTD30-Y-TOP-BK	XTD30-Matt black
LLGXTD30-Y-TOP-WT	XTD30-Matt White

# DotMAX

Square LED module for dark light | R3A57

DATASHEET 

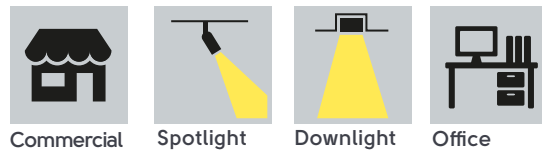
**NEW**



## Features

- PCB dimension: 33x33mm;
- Up to 1192 lm;
- Up to 167 lm/W;
- CRI 80, 90;
- Max Electrical Insulation 250Vdc;
- Max 20 LED boards in series (12V);
- CV 36V version available;
- Connection type: solder pad;
- Lifetime > 60000h @ Ts=85°C;
- Available with XTD-50 reflectors;
- Suitable for dark light applications.

## Applications



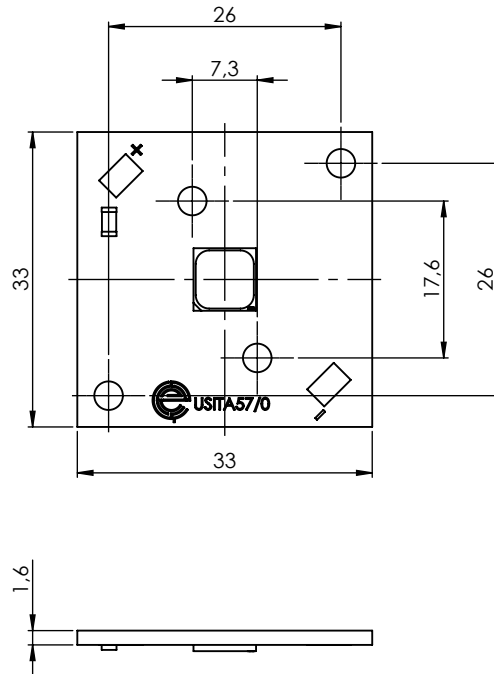
Code	CCT	CRI	Current [mA]	Voltage [V]	Power [W]	Total Lumen [lm]	lm/W	Energy Efficiency
R3A57013080	3000K	80	350	11,2	3,9	628	161	
			700	11,9	8,3	1180	142	
R3A57014080	4000K		350	11,2	3,9	650	167	
			700	11,9	8,3	1192	144	



# DotMAX

Square LED module for dark light | R3A57

## Mechanical drawing



## Accessories



### Reflector

XTD-5015-H1	50mm 15 degree
XTD-5030-H1	50mm 30 degree
XTD-5045-H1	50mm 45 degree

### Cover

XTD-50-JP1-H1	50mm clear
XTD-50-JP4-H1	50mm matt

### Shade

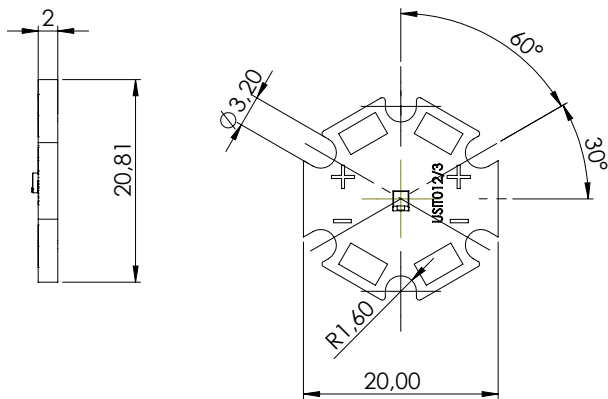
XTD-50HI-28	50mm matt black
-------------	-----------------

### Holder

A-1304S	LED holder
---------	------------

# DotMAX

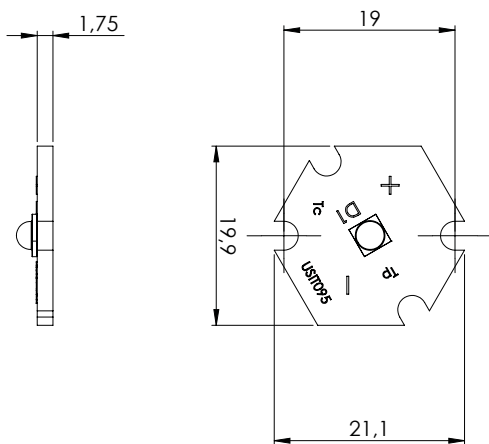
## Star led modules



### Features

- LED options: Luxeon TX, Luxeon Z-ES;
- PCB dimension: 20x21mm;
- Up to 350 lm;
- Up to 207 lm/W;
- CRI 70, 80, 90;
- Lifetime >60000h @ 500mA;
- Compatible with BJB holder.

Code	CCT	CRI	Current [mA]	Voltage [V]	Power [W]	Total Lumen [lm]	lm/W	Energy Efficiency
R3012003070	3000K	70	350	2,76	0,97	176	182	
			700	2,85	2	322	161	
R3012004070	4000K		350	2,76	0,97	176	182	
			700	2,85	2	322	161	
R3012005070	5000K		350	2,76	0,97	164	170	
			700	2,85	2	301	151	



### Features

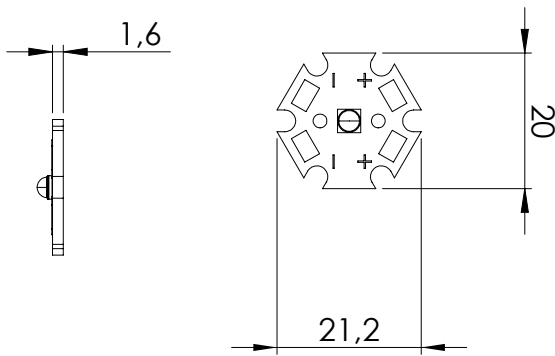
- LED options: Nichia 219/319, CREE XPG3/XHP35/XPL;
- PCB dimension: 20x21,1mm;
- Up to 350 lm;
- Up to 207 lm/W;
- CRI 70, 80, 90;
- Lifetime >60000h @ 500mA;
- Compatible with BJB holders.

Code	CCT	CRI	Current [mA]	Voltage [V]	Power [W]	Total Lumen [lm]	lm/W	Energy Efficiency
R3095003070	3000K	70	350	2,62	0,92	170	185	
			700	2,75	1,93	310	161	
R3095004070	4000K		350	2,62	0,92	170	185	
			700	2,75	1,93	310	161	
R3095005070	5000K		350	2,66	0,93	192	207	
			700	2,8	1,96	350	179	



# DotMAX

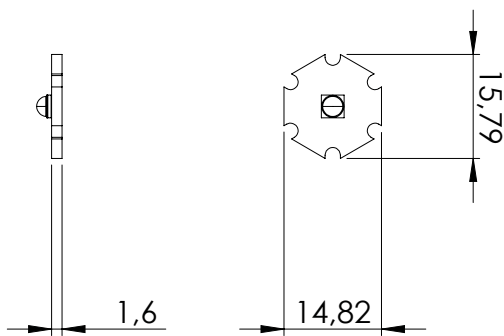
## Star led modules



### Features

- LED options: Nichia 219C or similar;
- PCB dimension: 20x21mm;
- Up to 350 lm;
- Up to 207 lm/W;
- CRI 70, 80, 90;
- Lifetime >60000h @ 500mA;
- Compatible with LedLink YN reflectors.

Code	CCT	CRI	Current [mA]	Voltage [V]	Power [W]	Total Lumen [lm]	lm/W	Energy Efficiency
R3237003070	3000K	70	350	2,62	0,92	170	185	C A++G
			700	2,75	1,93	310	161	D A++G
R3237004070	4000K		350	2,62	0,92	170	185	C A++G
			700	2,75	1,93	310	161	D A++G
R3237005070	5000K		350	2,66	0,93	192	207	B A++G
			700	2,8	1,96	350	179	C A++G



### Features

- LED options: Nichia 219/319, CREE XPG3/XHP35/XPL;
- PCB dimension: 16x15mm;
- Up to 350 lm;
- Up to 207 lm/W;
- CRI 70, 80, 90;
- Lifetime >60000h @ 500mA.

Code	CCT	CRI	Current [mA]	Voltage [V]	Power [W]	Total Lumen [lm]	lm/W	Energy Efficiency
R3262003070	3000K	70	350	2,62	0,92	170	185	C A++G
			700	2,75	1,93	310	161	D A++G
R3262004070	4000K		350	2,62	0,92	170	185	C A++G
			700	2,75	1,93	310	161	D A++G
R3262005070	5000K		350	2,66	0,93	192	207	B A++G
			700	2,8	1,96	350	179	C A++G

## Accessories

### Star Thermal Interface

Part number	Dimension (mm)	Thickness (mm)	Th.conductivity (W/mK)	Th.impedance (K-cm <sup>2</sup> /W)	Breakdown voltage (Vac)	Flame rating (UL94)
UBOND725/STAR	0,25	0,23	1,0	3	>6000	V0