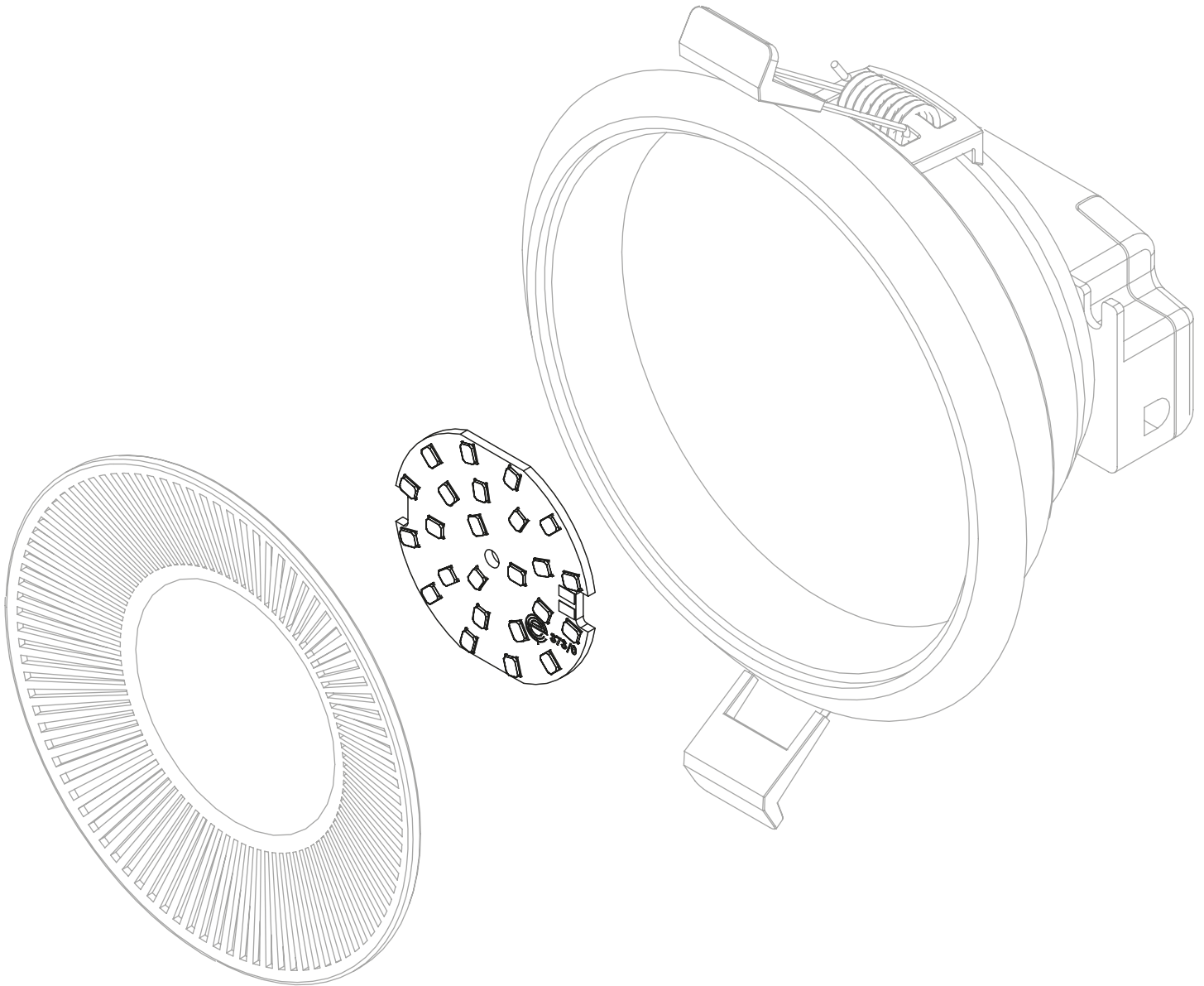


DecoMAX

Decorative lighting solutions

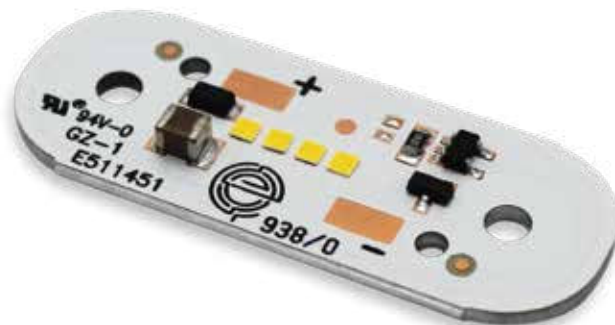


DecoMAX

LED module for windowsill light | R2938

DATASHEET

NEW



Features

- PCB dimension: 44x17mm;
- Up to 490 lm;
- Up to 155 lm/W;
- CRI 70, 80, 90;
- Max Electrical Insulation <150V;
- Lifetime Ts= 85°C >60000h if = 160mA;
- CV version available on request;
- Suitable for windowsill light applications;
- RGBW version available (code: R2880).

Applications



Decorative



Architectural

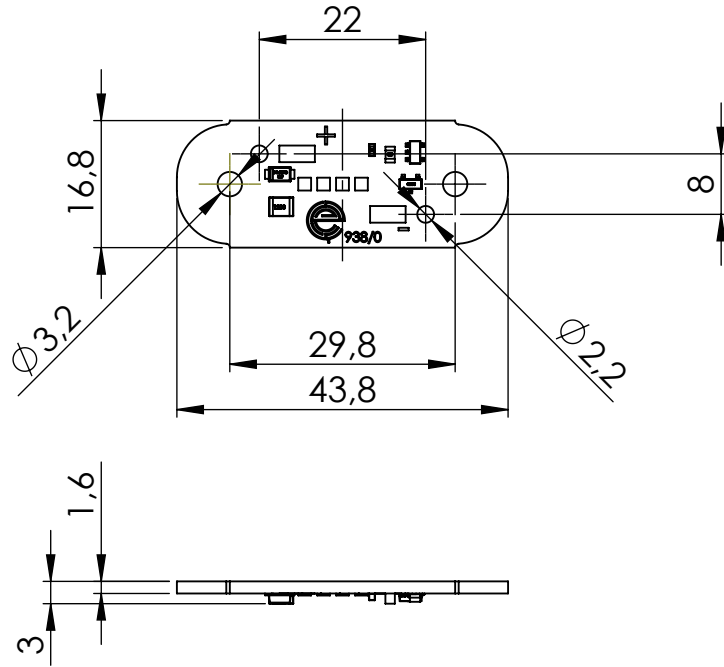
Code	CCT	CRI	Current [mA]	Voltage [V]	Power [W]	Total Lumen [lm]	lm/W	Energy Efficiency
R2938012780100	2700K	80	150	11,10	1,70	245	144	
			300	11,50	3,50	457	130	
R2938014080100	4000K		150	11,10	1,70	265	155	
			300	11,50	3,50	490	140	
R2938015080100	5000K		150	11,50	3,50	265	155	
			300	11,50	3,50	490	140	



DecoMAX

LED module for windowsill light | R2938

Mechanical drawing

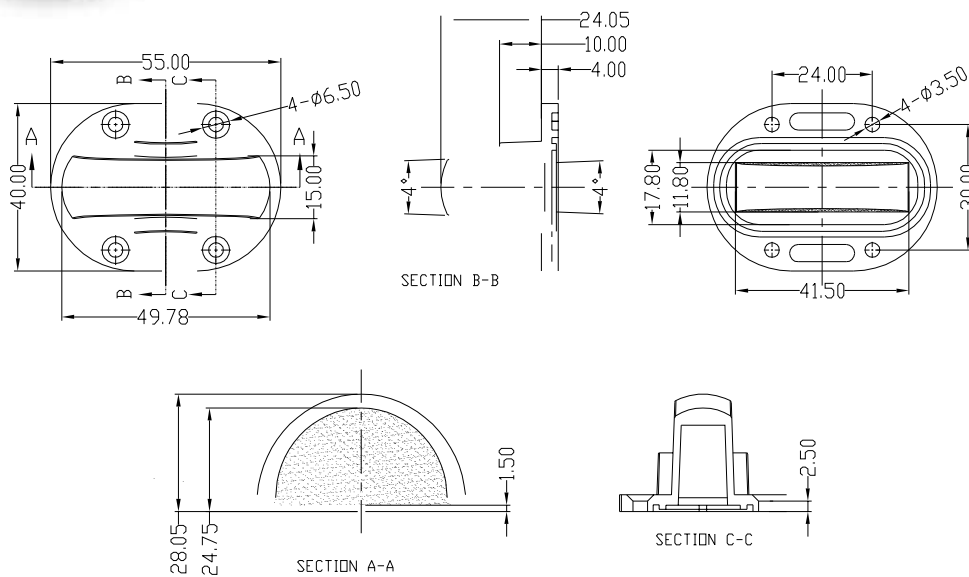


Accessories



Lenses

Part number	Beam angle
LL01CR-CZP03115L52 + Gasket	3° x 115°
LL01CR-CZP05100L52 + Gasket	5° x 100°



DecoMAX

4x4 RGBW power LED module | R2704

DATASHEET



Features

- PCB dimension: 39x36mm;
- Up to 1960 lm;
- Up to 67 lm/W;
- CRI 80, 90;
- Max Electrical Insulation 250V;
- Connection type: Molex 53261 Picoblade 8 way;
- Lifetime >60000h @ 350mA;
- NTC available on request;
- White and Dynamic White available on request;
- 8 poles cable included (length on request).

Applications



Indoor



Commercial



Color Mixing



Decorative



Architectural

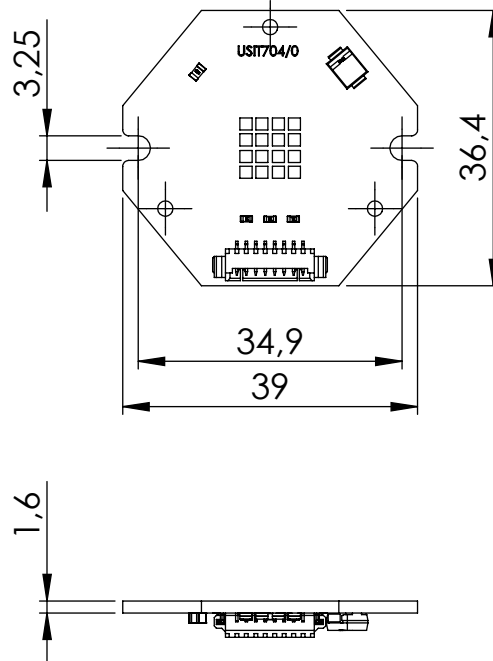
Code	CCT	CRI	Current [mA]	Voltage [V]					Power [W]	Total Lumen [lm]					lm/W	Energy Efficiency
				R	G	B	W	Tot		R	G	B	W	Tot		
R270400RGBW	RGBW + 3000K	80	500	9,15	11,8	12,1	11,7	44,75	22,4	249	426	164	563	1402	63	
			700	9,6	12,1	12,5	12,1	46,3	32,4	334	520	211	727	1792	56	
	RGBW + 4000K		500	9,15	11,8	12,1	11,7	44,75	22,4	249	426	164	642	1481	66	
			700	9,6	12,1	12,5	12,1	46,3	32,4	334	520	211	829	1894	59	
	RGBW + 5000K		500	9,15	11,8	12,1	11,7	44,75	22,4	216	426	164	684	1490	67	
			700	9,6	12,1	12,5	12,1	46,3	32,4	346	520	211	883	1960	61	



DecoMAX

4x4 RGBW power LED module | R2704

Mechanical drawing



Accessories



Lenses

Part number	Beam angle
LL01CR-PV45L02	45°
LL01CR-PV60L02	60°
LL01CR-PV80L02	80°

DecoMAX

RGBW power LED star | R2293

DATASHEET



Features

- PCB diameter: 20mm;
- Up to 530 lm;
- Up to 71 lm/W;
- CRI 80;
- Max Electrical Insulation 60V;
- Lifetime >60000h @ 350mA Tp 85°C;
- White and Dynamic White available on request.

Applications



Indoor



Commercial



Color Mixing



Decorative



Architectural

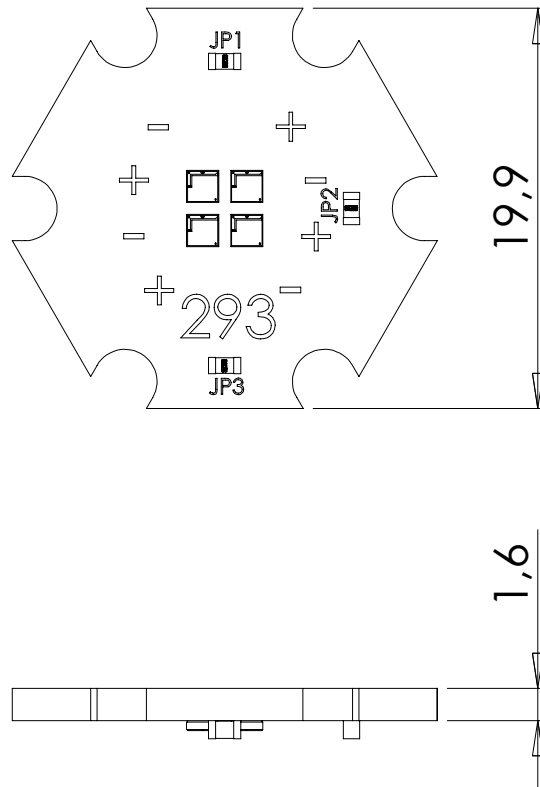
Code	CCT	CRI	Current [mA]	Voltage [V]					Power [W]	Total Lumen [lm]					lm/W	Energy Efficiency
				R	G	B	W	Tot		R	G	B	W	Tot		
R229301RGBW	RGBW + 3000K	80	500	2,3	3,3	3,2	2,95	11,75	5,88	66	117	45	137	365	62	
			700	2,4	3,4	3,3	3,05	12,15	8,5	89	142	61	184	476	56	
	RGBW + 4000K		500	2,3	3,3	3,2	2,95	11,75	5,88	66	117	45	167	395	67	
			700	2,4	3,4	3,3	3,05	12,15	8,5	89	142	61	208	500	59	
	RGBW + 5000K		500	2,3	3,3	3,2	2,95	11,75	5,88	66	117	45	190	418	71	
			700	2,4	3,4	3,3	3,05	12,15	8,5	89	142	61	238	530	62	



DecoMAX

RGBW power LED star | R2293

Mechanical drawing



Accessories



Lenses

Part number	Beam angle
LL01ED-AFD15L06	15°
LL01ED-AFD20L06	20°
LL01CR-ANW10L06	10°
LL01CR-ANW20L06	20°
LL01CR-ANW30L06	30°

DecoMAX

RGBW 44mm spot module | R2121

DATASHEET



Features

- PCB diameter: 44mm;
- Up to 367 lm;
- Up to 59 lm/W;
- CRI 70, 80;
- Max Electrical Insulation 250V;
- Connection type: Molex 53261 Picoblade 8 way;
- Lifetime >60000h @ 700mA;
- NTC available on request;
- 8 poles cable included (length on request).

Applications



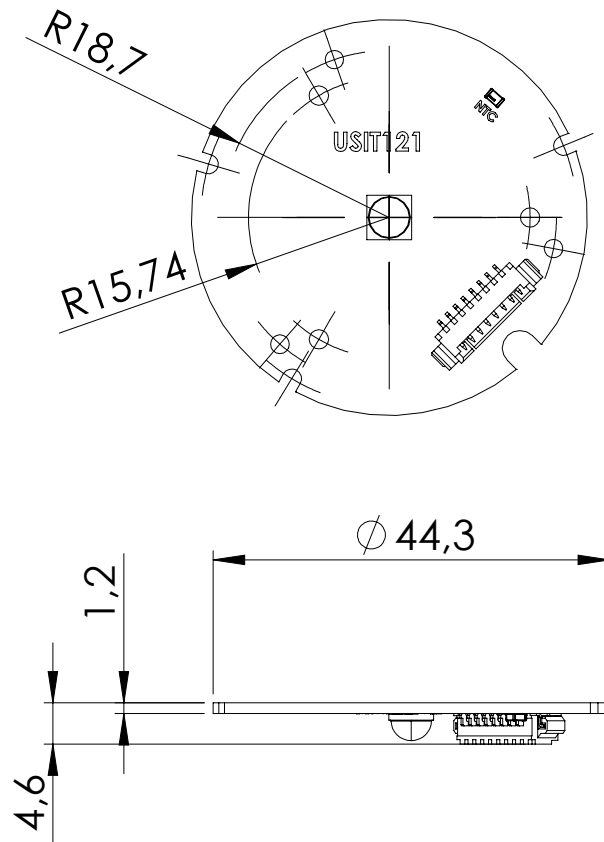
Code	CCT	CRI	Current [mA]	Voltage [V]					Power [W]	Total Lumen [lm]					lm/W	Energy Efficiency
				R	G	B	W	Tot		R	G	B	W	Tot		
R312101RGBW	RGBW + 3000K	70	350	1,7	3,0	2,8	2,8	10,3	3,6	39,4	70	13,8	66,5	190	53	
			700	2,7	4	4	4	14,7	10,3	75	112	25	115	327	32	
	RGBW + 4000K		350	1,7	3,0	2,8	2,8	10,3	3,6	39,4	70	13,8	66,5	190	53	
			700	2,7	4	4	4	14,7	10,3	75	112	25	115	327	32	
	RGBW + 5000K		350	1,7	3,0	2,8	2,8	10,3	3,6	39,4	70	13,8	90	213	59	
			700	2,7	4	4	4	14,7	10,3	75	112	25	115	367	36	



DecoMAX

RGBW 44mm spot module | R2121

Mechanical drawing



Accessories



Lenses

Part number	Beam angle
LL01CR-ABH40L02	40°
LL01CR-ABH60L02	60°
LL01CR-PV45L02	45°
LL01CR-PV60L02	60°
LL01CR-PV80L02	80°

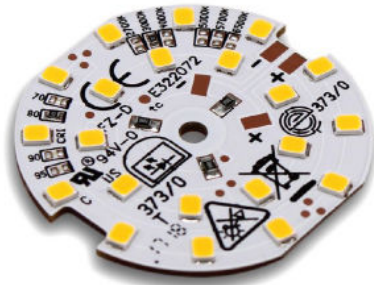
DecoMAX

CONSULTA EL RESTO DE LA GAMA



R2B35

RGBW LED module for windowsill light



R2373

21 mid-power LED module, 24 Vdc

