

DotMAX

R3A54

68,5mm spot module, 5050 flat LEDs

5 YEARS WARRANTY



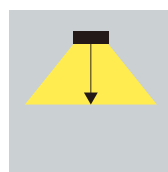
CC CONSTANT CURRENT



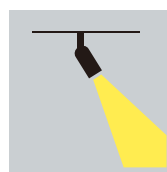
FEATURES

- PCB diameter: 68,5mm
- Up to 1809 lm
- Up to 167 lm/W
- CRI 70, 80, 90
- Max Electrical Insulation 230V
- Max 9 LED boards in series
- Connection type: AVX 70-9296 2.5mm
- Lifetime >60000h @ Is=85°C a 350mA
- 24V CV version available on request

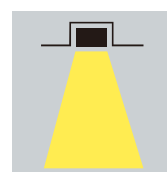
APPLICATIONS



Low Bay



Spotlight



Downlight



Indoor



Commercial

DotMAX

R3A54

68,5mm spot module, 5050 flat LEDs

5 YEARS WARRANTY



CC CONSTANT CURRENT

Code	CCT	CRI	Current [mA]	Voltage [V]	Power [W]	Total Lumen [lm]	Lm/W	Energy Efficiency
R3A54013C8C	3000K	80	350	22.5	7.8	1285	165	D
			500	23.1	11.5	1784	155	D
R3A54014080	4000K		350	22.5	7.8	1303	167	D
			500	23.1	11.5	1809	157	D

*Flux tolerance +/- 10%
VI Tolerance +/- 5%

Ask for more information about available LED and other colors.

LED and board features	
LED number	4
LED type	5050
Circuit	S4PI
Material	Aluminum
Solder	White
Connections	
Cable	On request
Connector	AVX 7C-9296 2.5mm
Power	
App. Max input current CC	1000mA
Mechanical Data	
H x L	68.5x67 mm
Thickness	4.1 mm
Conditions	
Max. temp. (T _o)	100°C
Max. temp. (T _c)	195°C
Operating temp. Range	-35°C - 55°C

DotMAX

R3A54

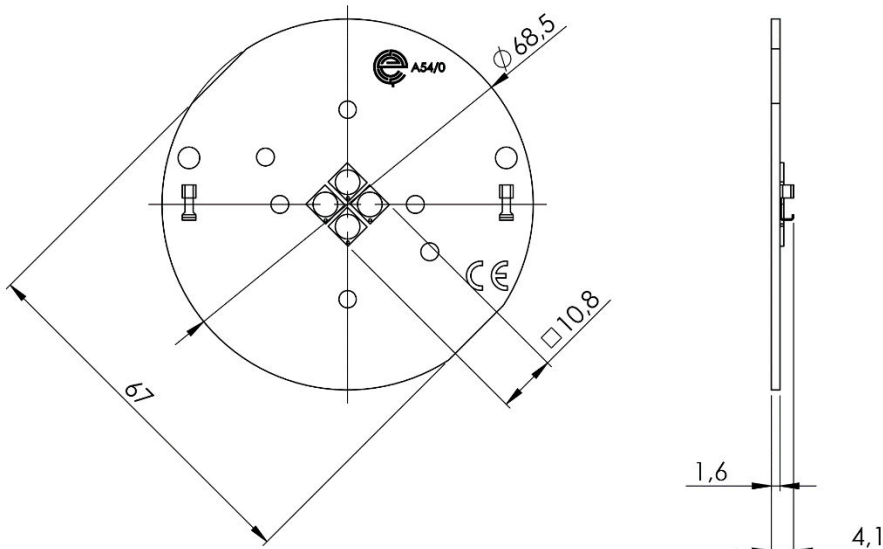
68,5mm spot module, 5050 flat LEDs

5 YEARS WARRANTY

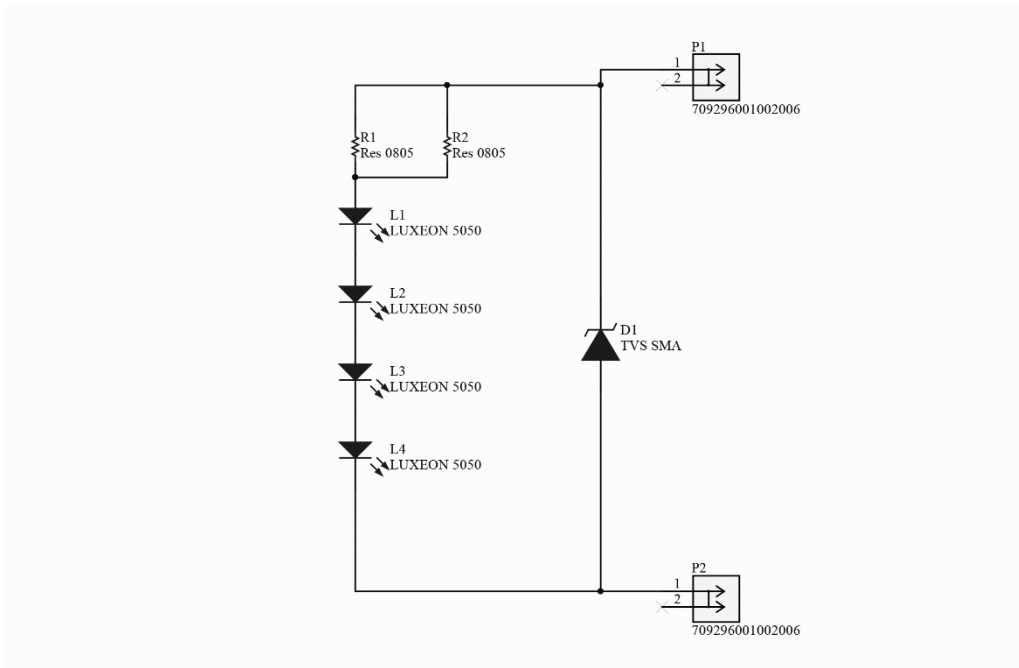


CC CONSTANT CURRENT

MECHANICAL DRAWING



ELECTRICAL CIRCUIT



DotMAX

R3A54

Accessories



5 YEARS WARRANTY

CC CONSTANT CURRENT



LED optics: CEN/CFE series connector	
Connector	LL01A00CSKB2-LL01NIWZ24H2; Solde-Free: LL01A00CWHB2-LL01A00CWDB2
View Angle (Fwhm)	CEN: 12°/24°/38°/45°/60°/25°x30°/35°x60° CFE: 12°/24°/38°
Dimension/Type	Ø70x17,5mm
Material/Operating temperature	PC LEV 700KL
Efficiency	>90%
LED optics: CEO series connector	
Connector	LL01A00CWEB2 (Solde-Free)
View Angle (Fwhm)	12°/24°/38°/60°
Dimension/Type	Ø90x 9,5mm
Material/Operating temperature	PC LEV 700KL
Efficiency	>90%
Heat sink: HSG00CIT6830BC	
Dimension (dxh)	68x30mm
Material/Finish	Anodized Aluminium
Thermal wattage	16,5W
Power supply: DYSL012FC50C	
Dimensions (LxwxH)	127x50x 2 mm
Protection type	IP20
Output	500mA – 12/24V
Input	220-240VAC

DotMAX

R3A54

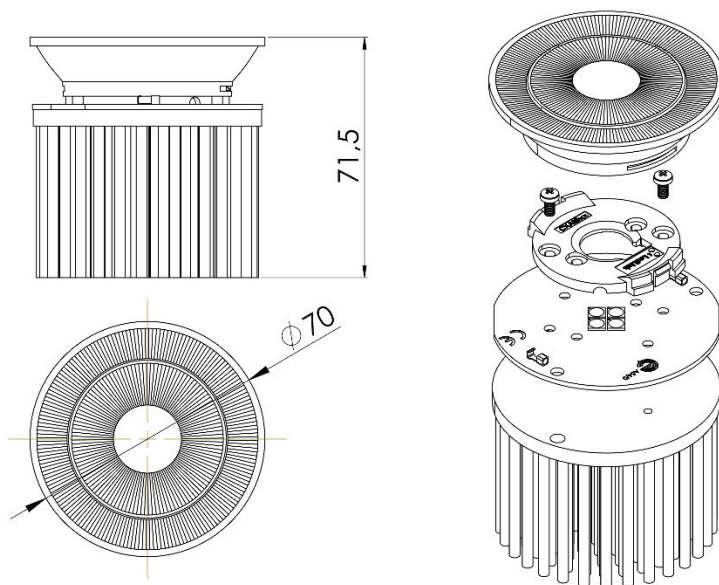
Accessories



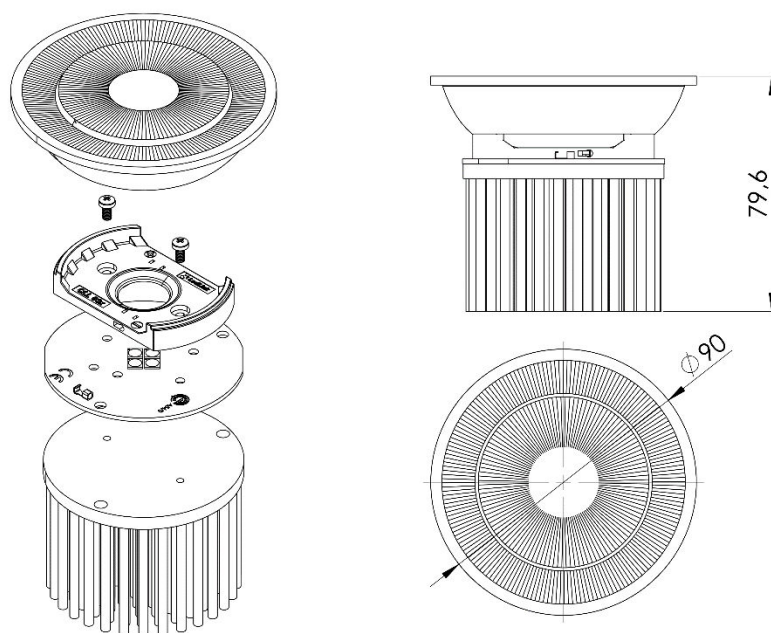
5 YEARS WARRANTY

CC CONSTANT CURRENT

R3A54 + CEN/CFE series



R3A54 + CEO series



ASSEMBLY AND SAFETY INFORMATION

Installation must be carried out under observation of the relevant regulations and standards. The LED modules are designed for operation with a casing or luminaire. Installation must be carried out in a voltage-free state (i.e. disconnected from the mains).

The following advice must be observed; non-observance can result in the destruction of the LED assembly modules, fire and/or other hazards.

- o Consider safety regulations acc. EN 60598 in the luminaire design, especially when the operating LED driver is not galvanically isolated.
 - In mode of operation regard to sufficient isolation.
 - Live parts must not be touched in operation mode. Danger in life!
- o ESD (electrostatic discharge) protection measures must be observed when handling and installing the LED modules. See VS's application notes on ESD protection.
- o Adequate anti-static electricity measures, including the use of conductive shoes, ionizers, work bench grounding, wrist straps, flooring and stools should be used.
- o LED assembly modules must not be subjected to any undue mechanical stress, e.g.:
 - do not treat as bulk cargo
 - avoid shear and compressive forces during handling and installation
 - do not damage circuit paths
 - avoid any pressure on the light emitting surface
- o Safe operation only possible by the use of external constant current sources (max. see table 'Electrical Characteristics').
- o Operation only with power supply units that feature the following protection:
 - Short circuit protection
 - Overload protection
 - Overheating protection
- o The module can be fixed with M3 screws. Fixation only with flat or cylinder head screws (M3) (no countersunk screws) Max. torque: 1.2 Nm (M3)
- o Please ensure the correct polarity of the leads prior to commissioning. Reversed polarity can destroy the modules.
- o For interconnection the LED modules is equipped with push-in terminals (WAGO 2050).
- o Safety regulations acc. to EN 60598 (or further standards) has to be observed if the maximum output voltage exceeds the permitted touchable value.
- o The following points must be observed when connecting LED modules in parallel:
 - All LED strings that are wired in parallel must contain the same number of LEDs (symmetrical loading).
 - Owing to differing forward biases, there can be a difference of up to 10% in brightness between modules connected in parallel.
- o To ensure problem-free operation, the specified maximum temperature at the tip point (see 'Operating Life') must be observed (and measured in accordance with EN 60598-1). To satisfy this point, it may be necessary to put measures in place to ensure any heat is dissipated from the PCB to the environment.
- o In the event of outdoor applications or applications in damp locations, care must be taken to protect LED assembly modules against humidity, splashes and jets of water. Any corrosion/damage resulting from humidity or contact with condensation will not be recognized as a defect or manufacturing fault. LED assembly modules are not specially protected against foreign bodies or dust. Depending on the type of application, further protection must be ensured to prevent dust and foreign bodies from entering.
- o Due to the manufacturing process, the PCBs of the LED assembly modules can have sharp edges and corners. Care must therefore be taken during handling and installation to avoid injury.
- o For optimal load of used constant current driver the modules can only be connected in series. The quantity of LED modules is limited by the sum of forward voltage and the capacity of used constant current driver. Safety regulations acc. to EN 60598 has to be observed if the sum of forward voltage exceeds the permitted touchable value.
- o Operating LED modules in the presence of certain chemical substances or in chemically enriched (aggressive) environments can impair module functionality or even cause total module failure.
- o The photobiological safety of the LED modules must be classified into risk groups in accordance with IEC/TR 62778: $U_{ref} < 1$ (except HB, 6500 K, > 500 mA: risk group 2)

APPLIED STANDARDS

IEC / EN 62031
LED modules for general lighting – Safety specifications

IEC / TR 62778
Application of IEC 62777 for the assessment of blue light hazard to light sources and luminaires