

# LineMAX

R1886

*280x24mm W/TW module, 28 LEDs  
for dark light Daisy lens*



**5** YEARS  
WARRANTY

**CC** CONSTANT  
CURRENT



## FEATURES

- PCB dimension: 280x24mm, suitable for symmetrical LEDiL Daisy lens for dark light applications
- Up to 2367 lm
- Up to 204 lm/W
- CRI 80, 90
- White and Tunable White versions available
- Max Electrical Insulation 250V
- Max 10 LED boards in series
- Connection type: AVX 709296 2,5mm
- Lifetime > >72000h
- [Wall-washing asymmetrical version available \(code: R1914\)](#)

## APPLICATIONS



Indoor



Commercial

# LineMAX

R1886

*280x24mm W/TW module, 28 LEDs  
for dark light Daisy lens*



**5** YEARS WARRANTY

**CC** CONSTANT CURRENT

| Code        | CCT   | CRI | Current [mA] | Voltage [V] | Power [W] | Total Lumen [lm] | Lm/W | Energy Efficiency |
|-------------|-------|-----|--------------|-------------|-----------|------------------|------|-------------------|
| R1886113080 | 3000K | 80  | 400          | 19.3        | 7.7       | 1481             | 192  | C                 |
|             |       |     | 600          | 19.9        | 11.9      | 2222             | 187  | C                 |
| R1886114080 | 4000K |     | 400          | 19.3        | 7.7       | 1578             | 204  | B                 |
|             |       |     | 600          | 19.9        | 11.9      | 2367             | 199  | C                 |
| R1886113090 | 3000K | 90  | 400          | 19.3        | 7.7       | 1262             | 164  | D                 |
|             |       |     | 600          | 19.9        | 11.9      | 1894             | 159  | D                 |
| R1886114090 | 4000K |     | 400          | 19.3        | 7.7       | 1349             | 175  | C                 |
|             |       |     | 600          | 19.9        | 11.9      | 2023             | 170  | D                 |
| R188611TW90 | 2700K |     | 200          | 19.3        | 3.8       | 713              | 187  | C                 |
|             |       |     | 300          | 19.9        | 6         | 1069             | 178  | C                 |
|             | 6500K |     | 200          | 19.3        | 3.8       | 674              | 177  | C                 |
|             |       |     | 300          | 19.9        | 6         | 1011             | 168  | D                 |

Flux tolerance +/- 10%  
Vf Tolerance +/- 5%

Ask for more information about available LED and other options.

| LED and board features    |                                 |
|---------------------------|---------------------------------|
| LED number                | 28                              |
| LED type                  | 2835                            |
| Circuit                   | S7P4 / 2XS7P2 TW                |
| Material                  | FR4                             |
| Solder                    | White                           |
| Connections               |                                 |
| Cable                     | Solid/Standed Wires AWG 18 - 26 |
| Connector                 | AVX 70-9296 2.5mm               |
| Power                     |                                 |
| Abs. Max Input current CC | 700mA                           |
| Mechanical Data           |                                 |
| H x L                     | 279x23,6mm                      |
| Thickness                 | 4,1mm                           |
| Conditions                |                                 |
| Max. temp. (Tp)           | 90°C                            |
| Max. temp. (Tc)           | 85°C                            |
| Operating temp. Range     | -40°C +65°C                     |

# LineMAX

R1886

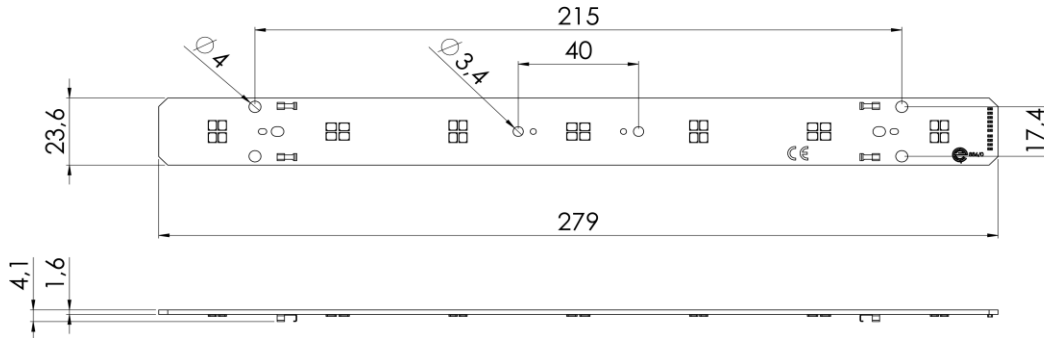
280x24mm W/TW module, 28 LEDs for dark light Daisy lens



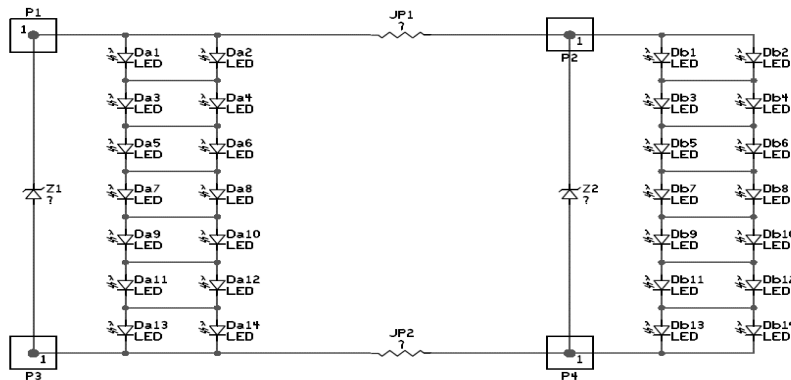
**5** YEARS WARRANTY

**CC** CONSTANT CURRENT

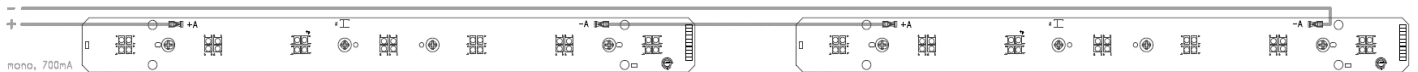
## MECHANICAL DRAWING



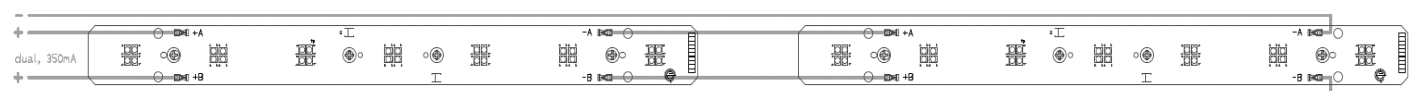
## ELECTRICAL CIRCUIT



## SERIES WIRING CONNECTION



## TUNABLE WHITE 2 CHANNELS CONNECTION



# LineMAX

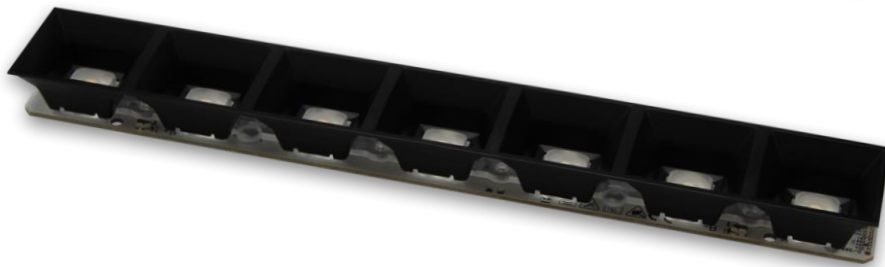
R1886

*Accessories: LEDiL Daisy lens,  
symmetrical beam for dark light*



**5** YEARS  
WARRANTY

**CC** CONSTANT  
CURRENT



## ASSEMBLY AND SAFETY INFORMATION

Installation must be carried out under observation of the relevant regulations and standards. The LED modules are designed for operation within a casing or luminaire. Installation must be carried out in a voltage-free state (i.e. disconnection from the mains).

The following advice must be observed; non-observance can result in the destruction of the LED assembly modules, fire and/or other hazards.

- o Consider safety regulations acc. EN 60598 in the luminaire design, especially when the operating LED driver is not galvanic isolated.
  - In mode of operation regard to sufficient isolation.
  - Live parts must not be touched in operation mode. Danger in life!
- o ESD (electrostatic discharge) protection measures must be observed when handling and installing the LED modules. See VS's application notes on ESD protection.
- o Adequate anti-static electricity measures, including the use of conductive shoes, ionizers, work bench grounding, wrist straps, flooring and stools should be used.
- o LED assembly modules must not be subjected to any undue mechanical stress, e.g.:
  - do not treat as bulk cargo
  - avoid shear and compressive forces during handling and installation
  - do not damage circuit paths
  - avoid any pressure on the light emitting surface
- o Safe operation only possible by the use of external constant current sources (I<sub>max</sub>. see table "Electrical Characteristics").
- o Operation only with power supply units that feature the following protection:
  - Short-circuit protection
  - Overload protection
  - Overheating protection
- o The module can be fixed with M3 screws. Fixation only with flat or cylinder head screws (M3) (no countersank screws) Max. torque: 1.2 Nm (M3)
- o Please ensure the correct polarity of the leads prior to commissioning. Reversed polarity can destroy the modules.
- o For interconnection the LED modules is equipped with push-in terminals (WAGO 2060).
- o Safety regulations acc. to EN 60598 (or further standards) has to be observed if the maximum output voltage exceed the permitted touchable value.
- o The following points must be observed when connecting LED modules in parallel:
  - All LED strings that are wired in parallel must contain the same number of LEDs (symmetrical loading).
  - Owing to differing forward biases, there can be a difference of up to 10% in brightness between modules connected in parallel.
- o To ensure problem-free operation, the specified maximum temperature at the tp point (see "Operating Life") must be observed (and measured in accordance with EN 60598-1). To satisfy this point, it may be necessary to put measures in place to ensure any heat is dissipated from the PCB to the environment.
- o In the event of outdoor applications or applications in damp locations, care must be taken to protect LED assembly modules against humidity, splashes and jets of water. Any corrosion damage resulting from humidity or contact with condensation will not be recognized as a defect or manufacturing fault. LED assembly modules are not specially protected against foreign bodies or dust. Depending on the type of application, further protection must be ensured to prevent dust and foreign bodies from entering.
- o Due to the manufacturing process, the PCBs of the LED assembly modules can have sharp edges and corners. Care must therefore be taken during handling and installation to avoid injury.
- o For optimal load of used constant current driver the modules can only be connected in series. The quantity of LED modules is limited by the sum of forward voltage and the capacity of used constant current driver. Safety regulations acc. to EN 60598 has to be observed if the sum of forward voltage exceed the permitted touchable value.
- o Operating LED modules in the presence of certain chemical substances or in chemically enriched (aggressive) environments can impair module functionality or even cause total module failure.
- o The photobiological safety of the LED modules must be classified into risk groups in accordance with IEC / TR 62778: \_ risk group 1 (except HB, 6500 K, > 500 mA: risk group 2

## APPLIED STANDARDS

IEC / EN 62031

LED modules for general lighting – Safety specifications

IEC / TR 62778

Application of IEC 62471 for the assessment of blue light hazard to light sources and luminaires