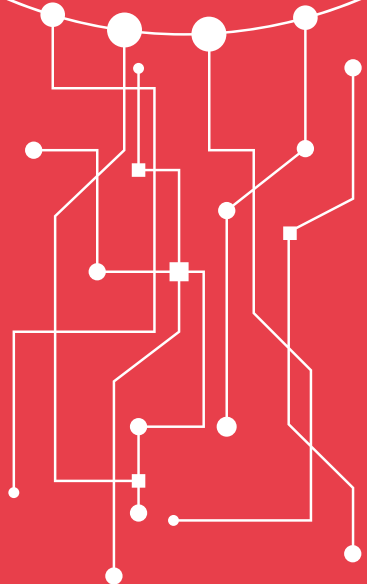


**RED**

integrating  
lighting  
technologies



**2022-2023**

**LCE** LED & COMPONENTS EXPERT

# UNIVERSAL SCIENCE

Dal 2007 il ruolo di **Universal Science** consiste nell'offrire al cliente un servizio di collaborazione e cooperazione nello sviluppo di sistemi LED di qualità. Forte del know-how che affonda le radici nell'esperienza decennale del proprio staff, la nostra azienda è in grado di prendersi cura di ogni aspetto tecnico legato al corretto impiego del LED: dall'elettronica alla gestione termica, dall'ottica alla meccanica.

Il team di Universal Science può quindi garantire un supporto progettuale che parte dalla proposta estetica fino ad arrivare alla definizione funzionale del prodotto finito. A queste attività affianchiamo inoltre lo sviluppo e la distribuzione di componenti per LED tra cui moduli, ottiche, interfacce termiche e sistemi di alimentazione.

Il nostro apporto diventa fondamentale nel determinare il risultato finale in termini di efficienza, vita del prodotto e qualità dello stesso. Oltre 10 anni di attività a supporto dei reparti tecnici e R&D dell'industria dell'illuminazione garantiscono un'elevata esperienza nell'ambito degli assemblaggi elettronici, dell'analisi termica e del progetto di sistema, posizionando l'azienda ai vertici del proprio mercato.

From 2007 **Universal Science** has been offering the customer a cooperation service in development of quality LED systems. Thanks to the experience and know-how of its staff, our company takes care of every technical aspect related to the correct use of LED: from electronics to thermal management, from optics to mechanics.

Universal Science team can therefore guarantee design support from the aesthetic proposal to the functional definition of the final product.

These activities go with the development and distribution of LED components such as modules, optics, thermal interfaces and drivers.

We give a fundamental contribute in defining the final result in terms of efficiency, product life and quality. Our management has spent more than 10 years supporting technical and R&D departments in lighting industry: this great experience in electronic assembling, thermal analysing and system designing guarantees to the company a top position in LED lighting business.



## RED – INTEGRATING

Nel 2018 Universal Science ha creato un nuovo brand, **RED – Integrating Lighting Technologies**, andando maggiormente incontro alle necessità del cliente e adattandosi alle nuove esigenze di mercato. RED identifica sia la produzione di moduli LED sia le soluzioni d'illuminazione standard che proponiamo ai clienti e nasce nell'ottica di essere più riconoscibili e di avere maggiori punti di contatto con le reti commerciali estere.

La progettazione e produzione di moduli LED per applicazioni nel settore illuminotecnico è la nostra specializzazione. La volontà di investire e di costruire innovazione in Italia è testimoniata proprio dall'impianto produttivo di Pregnana Milanese (MI): 2.000 mq di ampi spazi che ospitano uffici modulari adiacenti ai quali è stata realizzata l'area di produzione, collegata ad un magazzino completamente automatizzato.

L'impianto è dotato di linee SMT all'avanguardia con una capacità di montaggio che supera i 100 milioni di LED annui. L'investimento non riguarda soltanto gli spazi produttivi, ma anche l'adozione di macchinari e strumentazioni innovativi (tra cui serigrafiche automatiche, sfere integratrici con spettrometro, data logger per temperature multicanale e una stampante 3D per la prototipazione rapida), che si aggiungono alle attrezzature specialistiche (tra cui resinatrici e fustellatrici per interfacce termiche).

## LIGHTING TECHNOLOGIES

In 2018 Universal Science created a new brand, **RED – Integrating Lighting Technologies**, to be even more focus on the new market needs.

RED identifies both modules production and standard LED system solutions and it was originally designed to make us more recognisable and to have more contact points with foreign commercial networks.

LED modules development and production for applications in the lighting area is our specialization. The willingness to invest and make innovations in Italy is right witnessed by the production plant in Pregnana Milanese (Milan-Italy): 2.000 sq.m. that house modular offices with an adjacent production area, connected to a fully automated warehouse.

The plant is equipped with cutting-edge SMT lines with an assembly capacity of over 100 millions LEDs per year. The investment doesn't concern only spaces and production lines, but also the implementation of innovative machines and instrumentations (including automatic screen printing machines, integrating spheres, multi-channel data loggers and a 3D printer for fast prototyping), in addition to the specialist equipment (including resin machines and die-cutters for thermal interfaces).



# OUR NUMBERS

**100 MILLIONS+** ASSEMBLED LEDs PER YEAR

**400+** CUSTOMERS ALL OVER THE WORLD

**50+** EMPLOYEES AND SALES AGENTS

**2000+** OFFICES SQ.M.

## COMPANY MILESTONES

**2007**

Vincenzo Reda founds Universal Science in Italy

**2012**

Purchase of the first SMT machine for prototypes and small series

**2015**

New offices and production plant in Pregnana Milanese (MI), including the first fully automatic SMT line

**2016**

The production plant is boosted with a second automatic SMT line

**2018**

Universal Science creates a new brand: RED - Integrating Lighting Technologies

**2019**

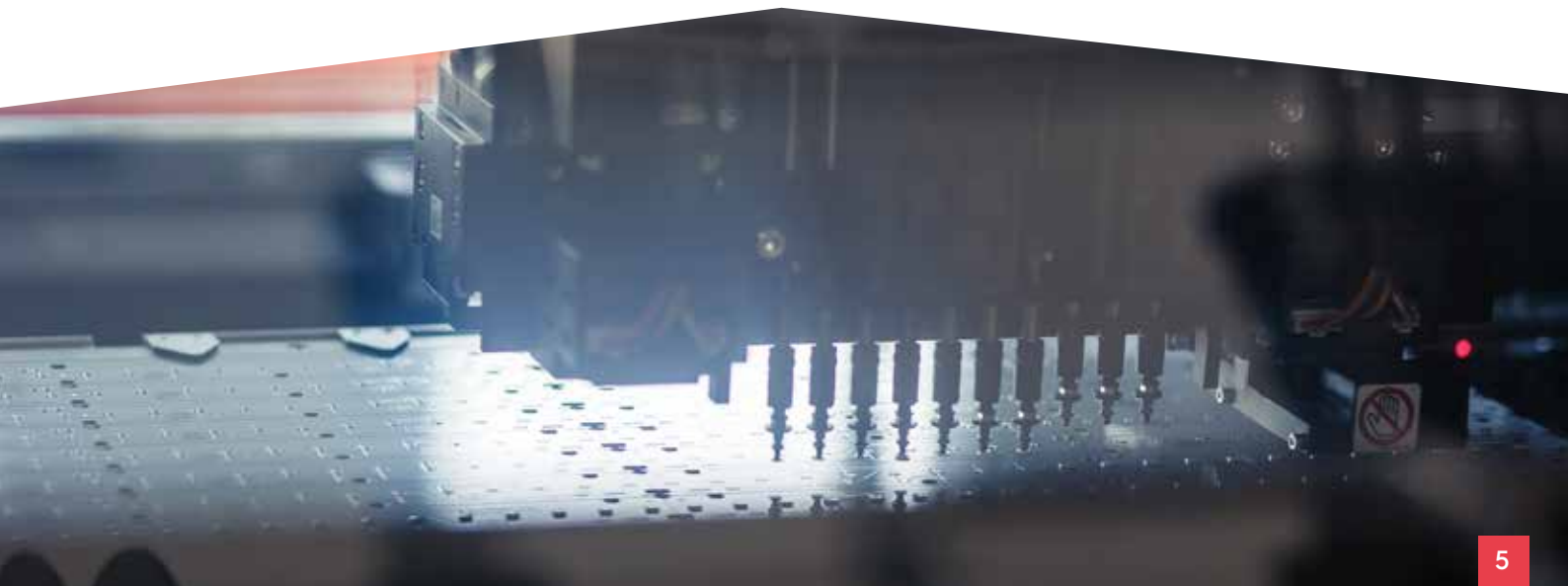
Improvement of the technical department, both in terms of engineers and software (SolidWorks and Altium)

**2021**

New inhouse laboratory with innovative instrumentation and specialist equipment (3D printer)

**2022**

The production plant is boosted with a third automatic SMT line and a new X-ray machine



# Featured services



## Strategic partnerships

<p>Standard and custom optics</p> <ul style="list-style-type: none"> <li>- TIR</li> <li>- Free Form</li> <li>- Reflectors</li> <li>- Hybrid</li> <li>- Fresnel</li> </ul>	<p>Thermal interface materials</p> <ul style="list-style-type: none"> <li>- Tape</li> <li>- Gap Filler</li> <li>- Ultra Soft</li> <li>- Silicon</li> </ul>	<p>Special LEDs</p> <ul style="list-style-type: none"> <li>- UVA</li> <li>- UVB</li> <li>- UVC</li> <li>- IR</li> </ul>	<p>IP20 &amp; IP67 LED drivers</p> <ul style="list-style-type: none"> <li>- CC/CV</li> <li>- Bluetooth</li> <li>- DMX</li> <li>- DALI</li> <li>- PLM</li> </ul>
---	--	---	---



## Support in LED fixture design



ELECTRONIC DESIGN



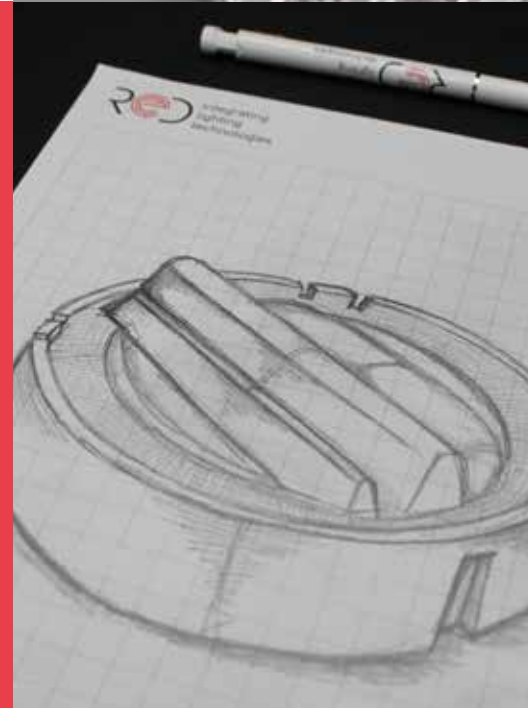
OPTICS DESIGN



MECHANICAL DESIGN



THERMAL DESIGN



# INDEX

## LightMAX

High power lighting solutions page 8

## LineMAX

Linear lighting solutions page 36

## DecoMAX

Decorative lighting solutions page 80

## DotMAX

Spot lighting solutions page 104

## FlatMAX

Low-bay lighting solutions page 126

## SpecialRED

UV lighting solutions page 142

## SpecialRED

Driver modules page 150

## SpecialRED

Horticulture lighting page 158

Product Nomenclature

page 163

Le informazioni contenute nel presente catalogo sono indicative e potrebbero subire delle variazioni.

Per le specifiche tecniche, fare riferimento al Datasheet del prodotto.

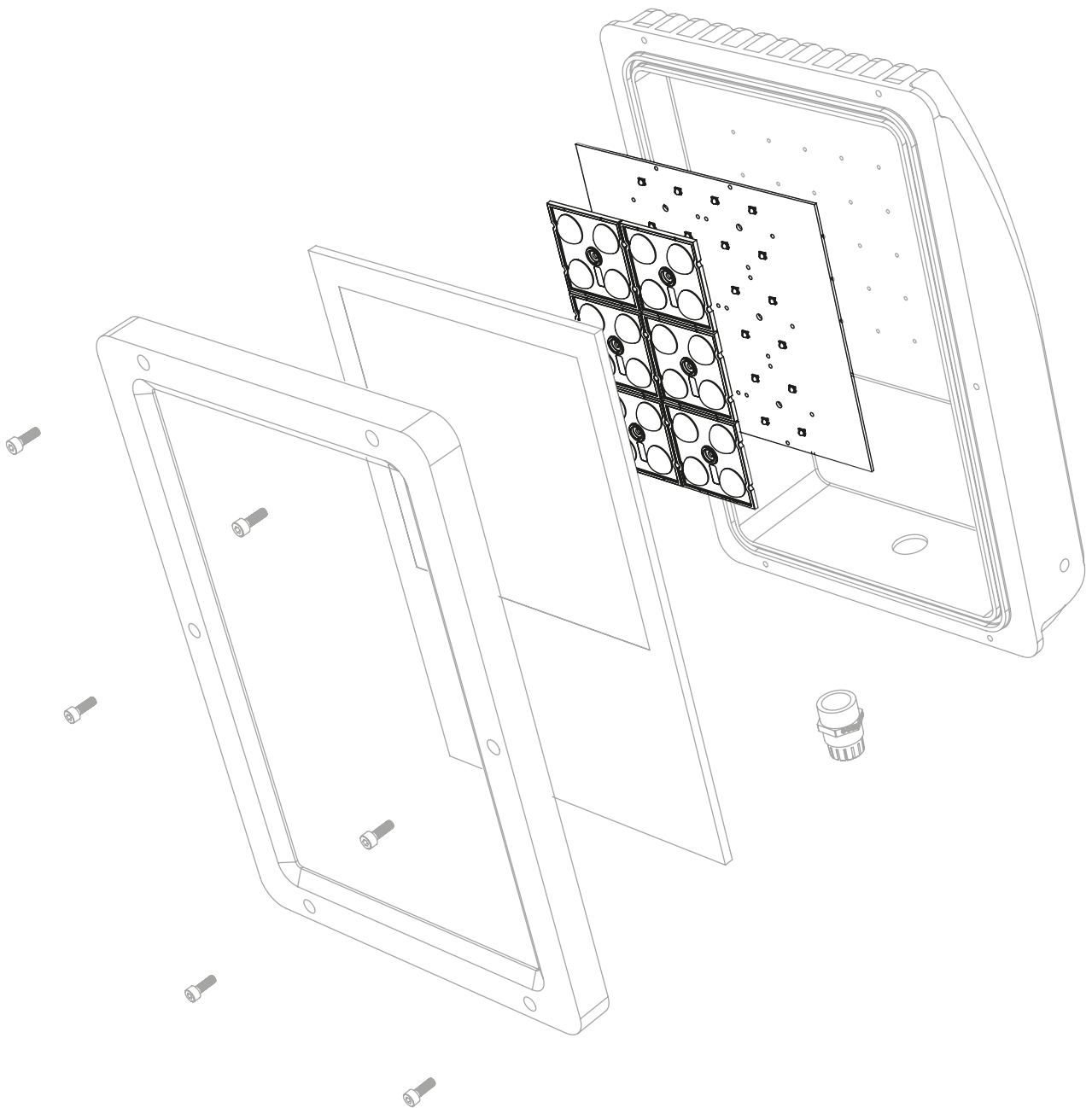
The information contained in this catalogue are approximate and may vary. For technical specifications, refer to the product Datasheet.

Relamping Kit  
Via Il Giugno  
Certaldo (FI)



# LightMAX

High power lighting solutions





# LightMAX

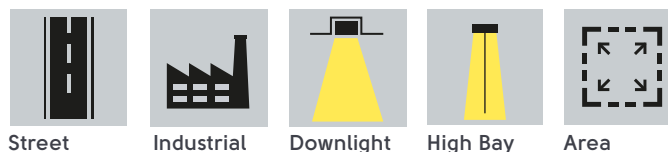
2x8 power led module| R0229



## Features

- PCB dimension: 220x50mm;
- Up to 7790 lm;
- Up to 177 lm/W;
- CRI 70;
- Max Electrical Insulation 250V, Max 5 LED boards in series;
- Connection type: 2060 series 1 pole;
- Lifetime >60000h @ 700mA;
- NTC available on request;
- Available with Osram Oslon Square LEDs (code: R0444).

## Applications



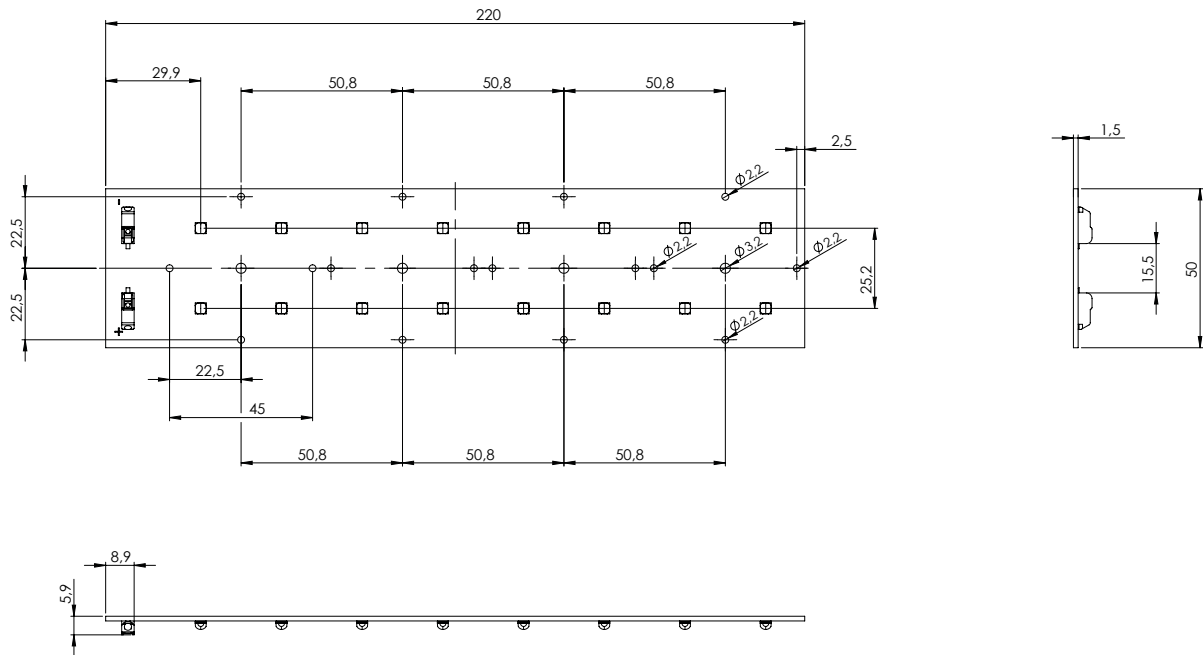
Code	CCT	CRI	Current [mA]	Voltage [V]	Power [W]	Total Lumen [lm]	lm/W	Energy Efficiency
R0229015070	5000K	70	700	45,9	32,1	5690	177	C A T G
			1050	47,8	50,2	7790	155	D A T G
R0229014070	4000K		700	45,9	32,1	5690	177	C A T G
			1050	47,8	50,2	7790	155	D A T G
R0229013070	3000K		700	45,9	32,1	5442	169,5	D A T G
			1050	47,8	50,2	7446	148	D A T G
R0229012770	2700K		700	45,9	32,1	4621	144	E A T G
			1050	47,8	50,2	6320	126	E A T G



# LightMAX

2x8 power led module| R0229

## Mechanical drawing



## Accessories



## Lenses

Part number	Beam angle
LL04CR-BXJ80150L02 (Type II-Short)	80° x 150°
LL04CR-BXJ45155L02 (Type III-Short)	45° x 145°
LL04CR-BXJ60L02 (Type V-Short)	60°
LL04CR-BXJ90L02 (Type V-Short)	90°
LL04CR-CEC09L06	9°
LL04CR-CEC25L06	25°
LL04CR-CEC50L06	50°
LL04CR-CFN35155L02 (Type II-Medium)	35° x 155°
LL04CR-CFN60155L02 (Type III-Medium)	60° x 155°
LL04CR-CGM85135L02 (Type I-Short)	85° x 135°
LL04CR-CXE165L19 (Type V-Medium)	165°

## Thermal Interface

Part number	Dimension (mm)	Thickness (mm)	Th.conductivity (W/mK)	Th.impedance (K-cm <sup>2</sup> /W)	Breakdown voltage (Vac)	Flame rating (UL94)
IRE-PAD-220X50	220x50	0,23	1,5	2,90	>6000	V0

# LightMAX

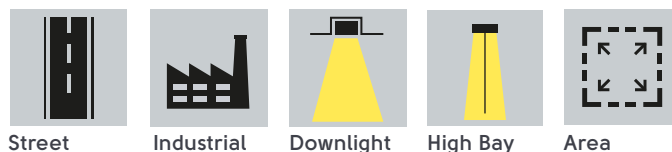
16 power led module | R0484



## Features

- PCB dimension: 220x50mm;
- Up to 8350 lm;
- Up to 188 lm/W;
- CRI 70;
- Max Electrical Insulation 250V, Max 4 LED boards in series;
- Connection type: WAGO 2060 series 1 pole;
- Lifetime >60000h @ 700mA;
- NTC available on request.

## Applications



Street

Industrial

Downlight

High Bay

Area

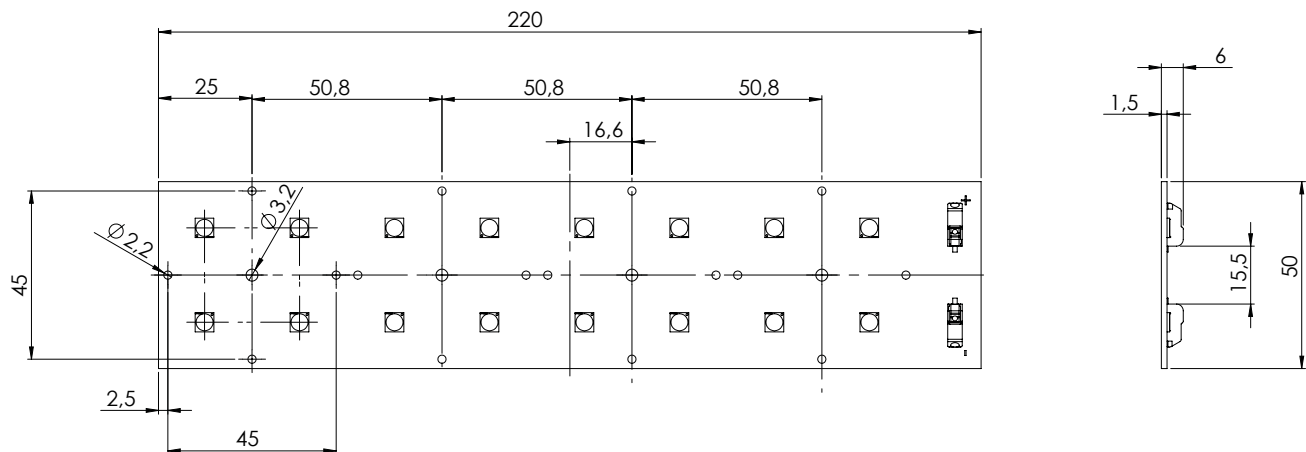
Code	CCT	CRI	Current [mA]	Voltage [V]	Power [W]	Total Lumen [lm]	lm/W	Energy Efficiency
R0484015070	5000K	70	700	45,76	32,06	6011	188	
			1000	47,36	47,36	8350	176	
R0484014070	4000K		700	45,76	32,06	6011	188	
			1000	47,36	47,36	8350	176	
R0484013070	3000K		700	47,76	32,06	8350	179	
			1000	47,36	47,36	7962	168	
R0484013070	2700K		700	45,76	32,06	5549	173	
			1000	47,36	47,36	7705	163	



# LightMAX

16 power led module | R0484

## Mechanical drawing



## Accessories



## Lenses

Part number	Beam angle
LL04CR-AU45135L46 (Type II-Short)	45° x 135°
LL04CR-BXJ80150L02 (Type II-Short)	80° x 150°
LL04CR-BXJ45155L02 (Type III-Short)	45° x 155°
LL04CR-BXJ95165L19 (Type II-Medium)	95° x 165°
LL04CR-BXJ65165L52 (Type IV-Medium)	65° x 165°
LL04CR-BXJ60L02 (Type V-Short)	60°
LL04CR-BXJ90L02 (Type V-Short)	90°
LL04CR-CXR25L52	25°
LL04CR-CXR40L52	40°
LL04CR-CXR60L52	60°
LL04CR-CXR165L52	165°
LL04LU-CXR2060L06	20° x 60°
LL04CR-DBJ2090L19	20° x 90°

## Thermal Interface

Part number	Dimension (mm)	Thickness (mm)	Th.conductivity (W/mK)	Th.impedance (K-cm <sup>2</sup> /W)	Breakdown voltage (Vac)	Flame rating (UL94)
IRE-PAD-220X50	220x50	0,23	1,5	2,90	>6000	V0

# LightMAX

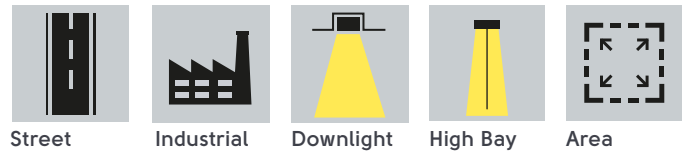
48 mid-power led module | R0230



## Features

- PCB dimension: 220x50mm;
- Up to 5200 lm;
- Up to 192 lm/W;
- CRI 70;
- Max Electrical Insulation 250V, Max 5 LED boards in series;
- Connection type: 2060 series 1 pole;
- Lifetime >60000h @ 700mA;
- NTC available on request;
- Available with 90° rotation optics version (code: R0231).

## Applications



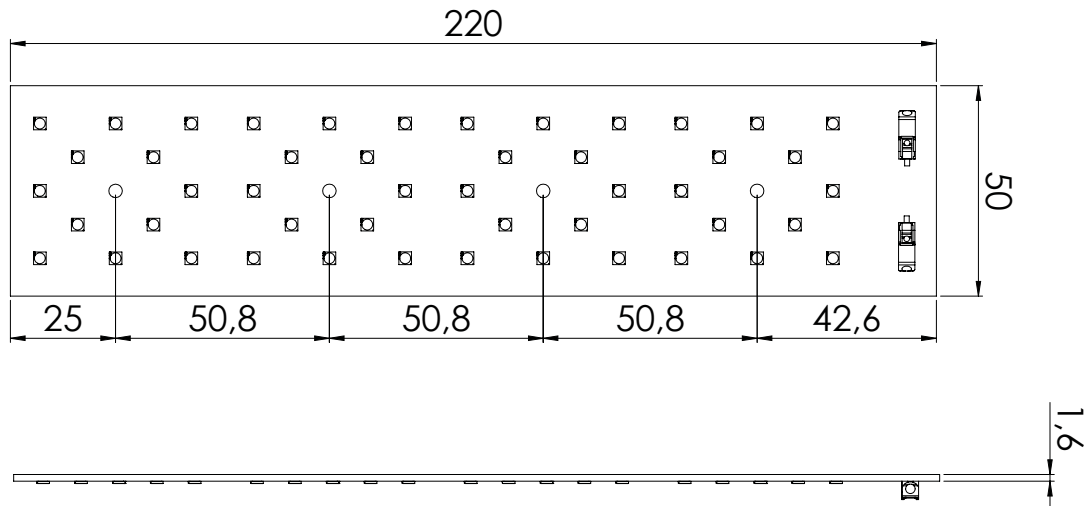
Code	CCT	CRI	Current [mA]	Voltage [V]	Power [W]	Total Lumen [lm]	lm/W	Energy Efficiency
R0230215070	5000K	70	500	45,9	22,9	4400	192	C
			700	47,1	33	5200	157	D
R0230214070	4000K		500	45,9	22,9	4400	192	C
			700	47,1	33	5200	157	D
R0230213070	3000K		500	45,9	22,9	4200	183	C
			700	47,1	33	5140	156	D
R0230213070	2700K		500	45,9	22,9	3850	168	D
			700	47,1	33	4620	140	E



# LightMAX

48 mid-power led module | R0230

## Mechanical drawing



## Accessories



### Lenses

Part number	Beam angle
LL12ZZ-CRC10L19	10°
LL12ZZ-CRC25L19	25°
LL12ZZ-CRC55L19	55°
LL12ZZ-CRC90L19	90°
LL12ZZ-CRC40135L19 (Type I-Short)	40° x 135°
LL12ZZ-CRC45145L19 (Type II-Short)	45° x 145°
LL12ZZ-CRC45155L19 (Type II-Medium)	45° x 155°
LL12ZZ-CRC60145L19 (Type III-Short)	60° x 145°
LL12ZZ-CRC60145L19 (Type III-Short)	60° x 155°
LL12ZZ-CRC75140L18 (Type IV-Short)	75° x 140°
LL12ZZ-CRC150L19	150°

### Thermal Interface

Part number	Dimension (mm)	Thickness (mm)	Th.conductivity (W/mK)	Th.impedance (K-cm <sup>2</sup> /W)	Breakdown voltage (Vac)	Flame rating (UL94)
IRE-PAD-220X50	220x50	0,23	1,5	2,90	>6000	V0

# LightMAX

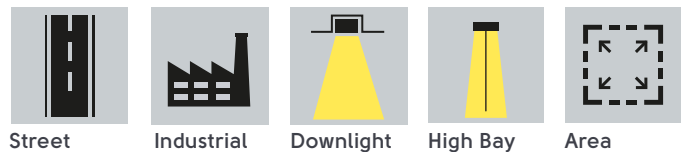
2x6 power led module | R0498



## Features

- PCB dimension: 170x50mm;
- Up to 6263 lm;
- Up to 188 lm/W;
- CRI 70;
- Max Electrical Insulation 250V, Max 6 LED boards in series;
- Connection type: WAGO 2060 series 1 pole;
- Lifetime >60000h @ 700mA;
- NTC available on request.

## Applications



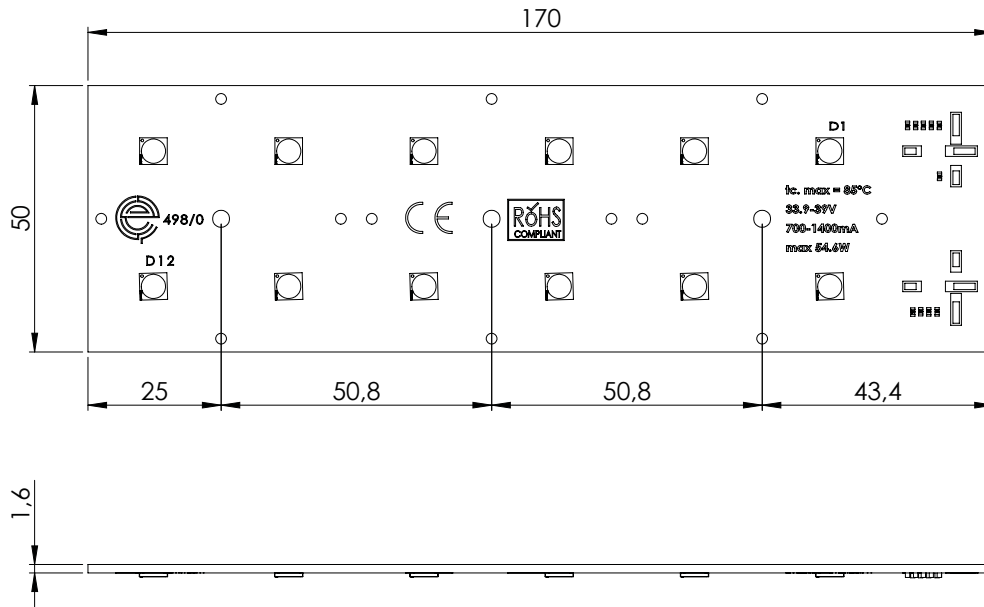
Code	CCT	CRI	Current [mA]	Voltage [V]	Power [W]	Total Lumen [lm]	lm/W	Energy Efficiency
R0498015070	5000K	70	700	34	24	4509	188	
			1000	36	36	6263	176	
R0498014070	4000K		700	34	24	4509	188	
			1000	36	36	6263	176	
R0498013070	3000K		700	34	24	4300	179	
			1000	36	36	5972	168	
R0498012770	2700K		700	34	24	4163	173	
			1000	36	36	5780	163	



# LightMAX

2x6 power led module | R0498

## Mechanical drawing



## Accessories



## Lenses

Part number	Beam angle
LL04CR-AU45135L46 (Type II-Short)	45° x 135°
LL04CR-BXJ80150L02 (Type II-Short)	80° x 150°
LL04CR-BXJ45155L02 (Type III-Short)	45° x 155°
LL04CR-BXJ95165L19 (Type II-Medium)	95° x 165°
LL04CR-BXJ65165L52 (Type IV-Medium)	65° x 165°
LL04CR-BXJ60L02 (Type V-Short)	60°
LL04CR-BXJ90L02 (Type V-Short)	90°
LL04CR-CXR25L52	25°
LL04CR-CXR40L52	40°
LL04CR-CXR60L52	60°
LL04CR-CXR165L52	165°
LL04LU-CXR2060L06	20° x 60°
LL04CR-DBJ2090L19	20° x 90°

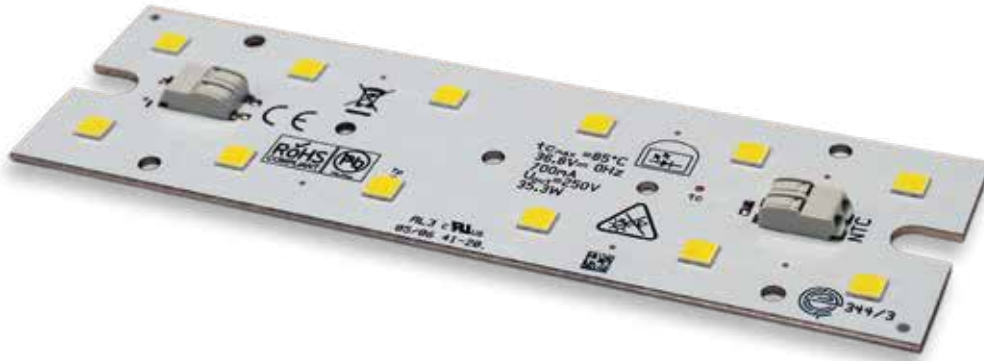
## Thermal Interface

Part number	Dimension (mm)	Thickness (mm)	Th.conductivity (W/mK)	Th.impedance (K-cm <sup>2</sup> /W)	Breakdown voltage (Vac)	Flame rating (UL94)
IRE-PAD-170X50	170x50	0,23	1,5	2,90	>6000	V0



# LightMAX

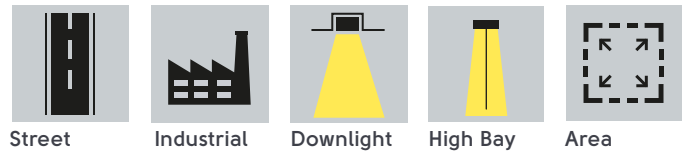
2x6 power led module | R0344



## Features

- PCB dimension: 147x45mm;
- Up to 6500 lm;
- Up to 195 lm/W;
- CRI 70;
- Max Electrical Insulation 250V, Max 6 LED boards in series;
- Connection type: S-Poke 4mm 2 pole;
- Lifetime >60000h @ 700mA;
- NTC available on request.

## Applications



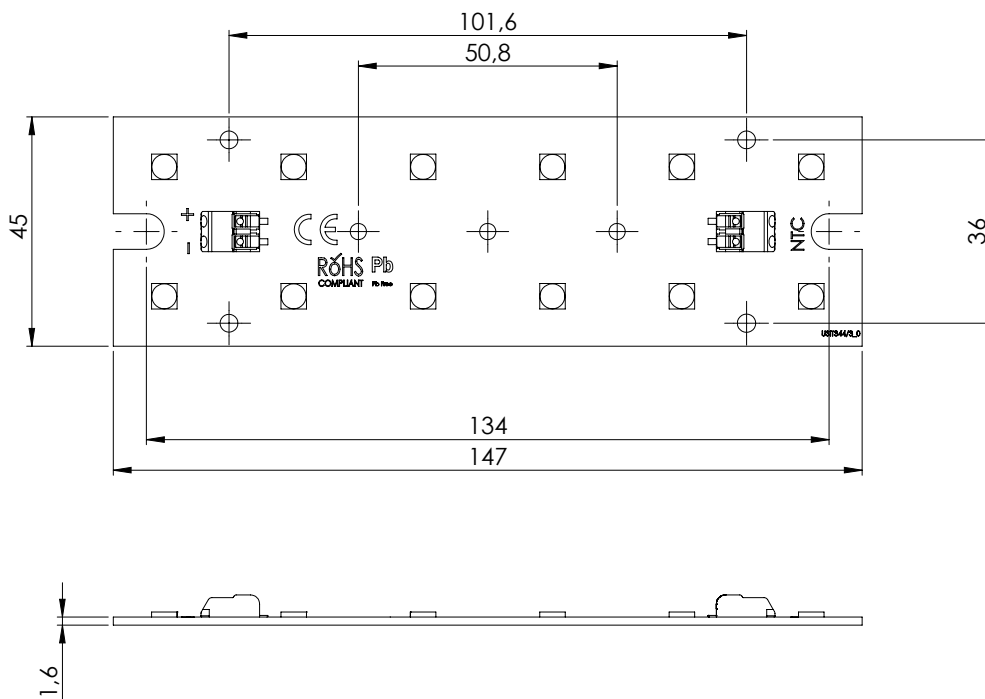
Code	CCT	CRI	Current [mA]	Voltage [V]	Power [W]	Total Lumen [lm]	lm/W	Energy Efficiency
R0344015070	5000K	70	700	34,32	24,02	4682	195	
			1000	35,52	35,52	6500	183	
R0344014070	4000K		700	34,32	24,02	4682	195	
			1000	35,52	35,52	6500	183	
R0344013070	3000K		700	34,32	24,02	4508	188	
			1000	35,52	35,52	6260	176	
R0344012770	2700K		700	34,32	24,02	4300	179	
			1000	35,52	35,52	5971	168	



# LightMAX

2x6 power led module | R0344

## Mechanical drawing



## Accessories



## Lenses

Part number	Beam angle
LL12CR-CUQ30L19 + Gasket	30°
LL12CR-CUQ60L19 + Gasket	60°
LL12CR-CUQ90L19 + Gasket	90°
LL12CR-CUQ150L19 + Gasket	150°
LL12CR-CUQ60145L19 + Gasket (Type II-Short)	60° x 145°
LL12CR-CUQ70140L19 + Gasket (Type II-Short)	70° x 140°
LL12LU-CUQ15050L19 + Gasket (Type II-Short)	150° x 50°
LL12CR-CUQ85155L19 + Gasket (Type III-Medium)	85° x 155°
LL12CR-CUQ15155L19 + Gasket (Type IV-Short)	15° x 155°

PC optics IK10 tested.

## Thermal Interface

Part number	Dimension (mm)	Thickness (mm)	Th.conductivity (W/mK)	Th.impedance (K-cm <sup>2</sup> /W)	Breakdown voltage (Vac)	Flame rating (UL94)
IRE-PAD-147X45	147X45	0,23	1,5	2,90	>6000	V0

# LightMAX

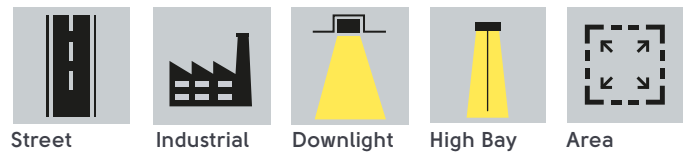
2x4 power led module | R0241



## Features

- PCB dimension: 120x50mm;
- Up to 4032 lm;
- Up to 180 lm/W;
- CRI 70;
- Max Electrical Insulation 250V, Max 10 LED boards in series;
- Connection type: 2060 series 1 pole;
- Lifetime >60000h @ 700mA;
- NTC available on request.

## Applications



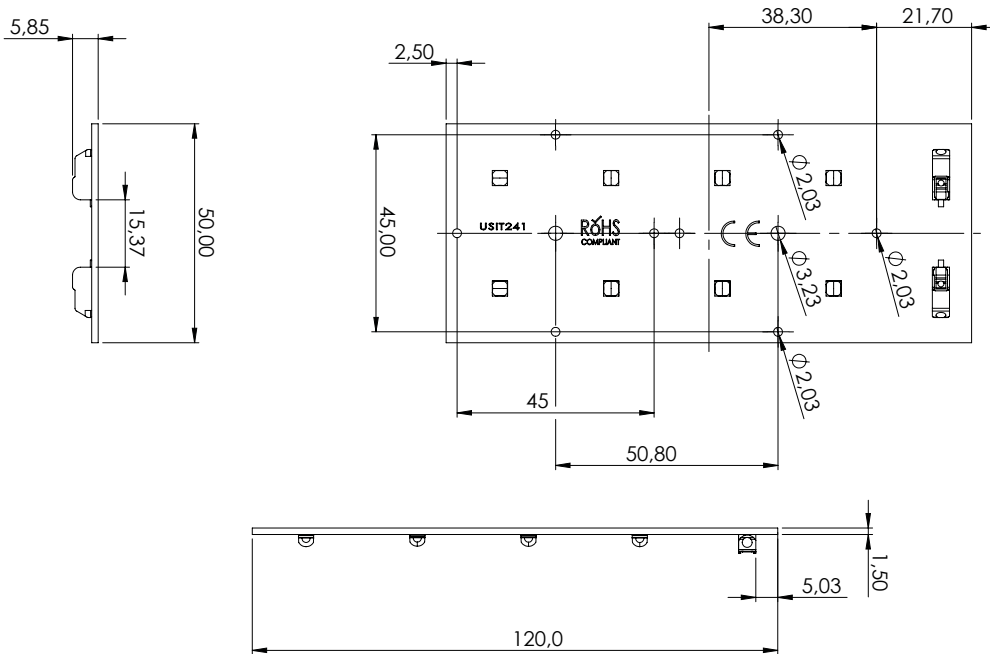
Code	CCT	CRI	Current [mA]	Voltage [V]	Power [W]	Total Lumen [lm]	lm/W	Energy Efficiency
R0241005070	5000K	70	700	22,9	16	2880	180	C A T G
			1050	23,9	25	4032	161	D A T G
R0241004070	4000K		700	22,9	16	2880	180	C A T G
			1050	23,9	25	4032	161	D A T G
R0241003070	3000K		700	22,9	16	2720	120	D A T G
			1050	23,9	25	3808	152	D A T G
R0241002770	2700K		700	22,9	16	2560	160	D A T G
			1050	23,9	25	3584	143	E A T G



# LightMAX

2x4 power led module | R0241

## Mechanical drawing



## Accessories



### Lenses

Part number	Beam angle
LL04CR-BXJ80150L02 (Type II-Short)	80° x 150°
LL04CR-BXJ45155L02 (Type III-Short)	45° x 145°
LL04CR-BXJ60L02 (Type V-Short)	60°
LL04CR-BXJ90L02 (Type V-Short)	90°
LL04CR-CEC09L06	9°
LL04CR-CEC25L06	25°
LL04CR-CEC50L06	50°
LL04CR-CFN35155L02 (Type II-Medium)	35° x 155°
LL04CR-CFN60155L02 (Type III-Medium)	60° x 155°
LL04CR-CGM85135L02 (Type I-Short)	85° x 135°
LL04CR-CXE165L19 (Type V-Medium)	165°

### Thermal Interface

Part number	Dimension (mm)	Thickness (mm)	Th.conductivity (W/mK)	Th.impedance (K-cm <sup>2</sup> /W)	Breakdown voltage (Vac)	Flame rating (UL94)
IRE-PAD-120X50	120X50	0,23	1,5	2,90	>6000	V0

# LightMAX

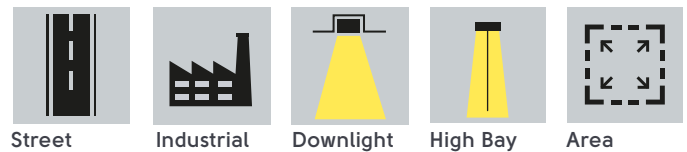
2x4 power led module | R0485



## Features

- PCB dimension: 120x50mm;
- Up to 4175 lm;
- Up to 188 lm/W;
- CRI 70;
- Max Electrical Insulation 250V, Max 10 LED boards in series;
- Connection type: WAGO 2060 series 1 pole;
- Lifetime >60000h @ 700mA;
- NTC available on request.

## Applications



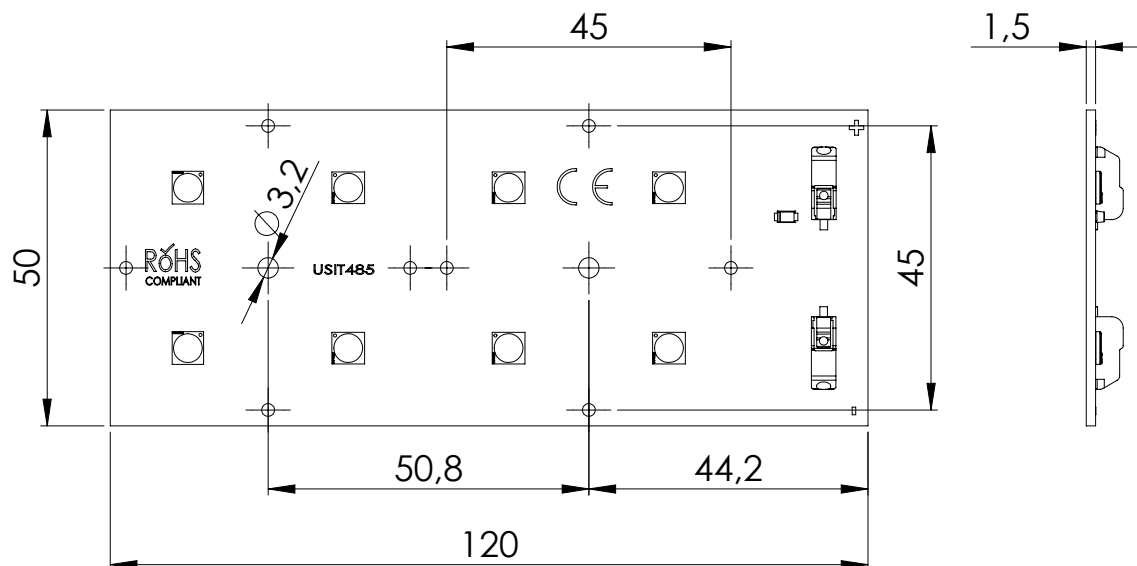
Code	CCT	CRI	Current [mA]	Voltage [V]	Power [W]	Total Lumen [lm]	lm/W	Energy Efficiency
R0485015070	5000K	70	700	22,88	16,02	3006	188	
			1000	23,68	23,68	4175	176	
R0485014070	4000K		700	22,88	16,02	3006	188	
			1000	23,68	23,68	4175	176	
R0485013070	3000K		700	22,88	16,02	2867	179	
			1000	23,68	23,68	3981	168	
R0485012770	2700K		700	22,88	16,02	2775	173	
			1000	23,68	23,68	3853	163	



# LightMAX

2x4 power led module | R0485

## Mechanical drawing



## Accessories



## Lenses

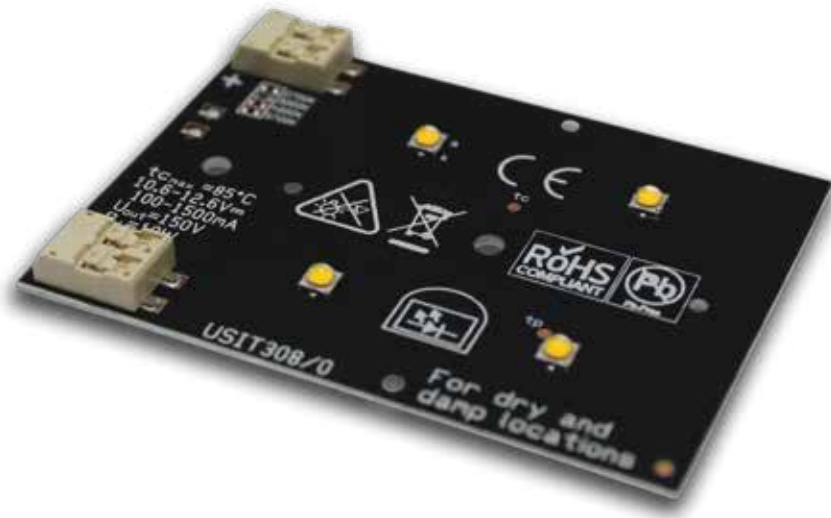
Part number	Beam angle
LL04CR-AU45135L46 (Type II-Short)	45° x 135°
LL04CR-BXJ80150L02 (Type II-Short)	80° x 150°
LL04CR-BXJ45155L02 (Type III-Short)	45° x 155°
LL04CR-BXJ95165L19 (Type II-Medium)	95° x 165°
LL04CR-BXJ65165L52 (Type IV-Medium)	65° x 165°
LL04CR-BXJ60L02 (Type V-Short)	60°
LL04CR-BXJ90L02 (Type V-Short)	90°
LL04CR-CXR25L52	25°
LL04CR-CXR40L52	40°
LL04CR-CXR60L52	60°
LL04CR-CXR165L52	165°
LL04LU-CXR2060L06	20° x 60°
LL04CR-DBJ2090L19	20° x 90°

## Thermal Interface

Part number	Dimension (mm)	Thickness (mm)	Th.conductivity (W/mK)	Th.impedance (K-cm <sup>2</sup> /W)	Breakdown voltage (Vac)	Flame rating (UL94)
IRE-PAD-120X50	120X50	0,23	1,5	2,90	>6000	V0

# LightMAX

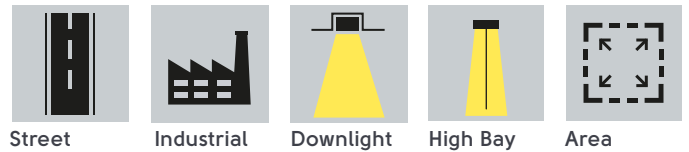
2x2 power led module | R0308



## Features

- PCB dimension: 70x50mm;
- Up to 1840 lm;
- Up to 171 lm/W;
- CRI 70;
- Max Electrical Insulation 250V, Max 20 LED boards in series;
- Connection type: S-Poke 4mm 2 poles;
- Lifetime >60000h @ 700mA.

## Applications



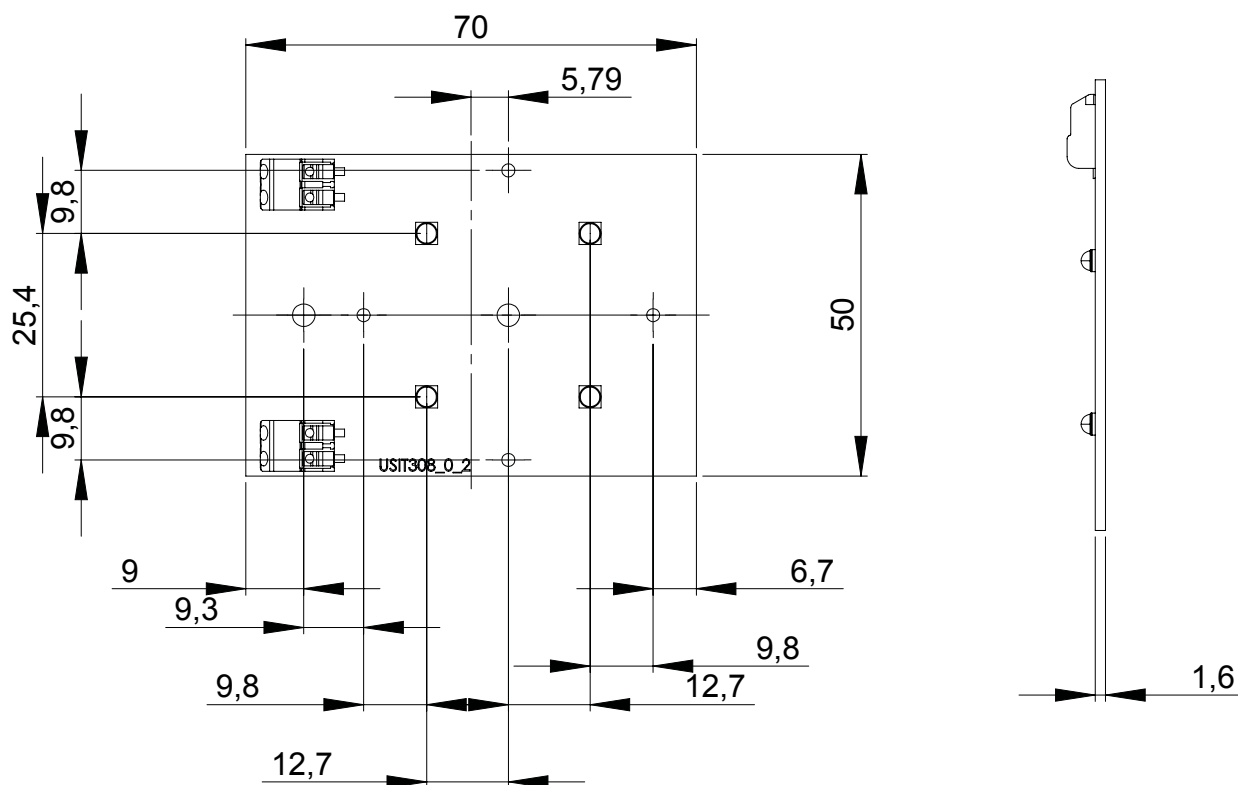
Code	CCT	CRI	Current [mA]	Voltage [V]	Power [W]	Total Lumen [lm]	lm/W	Energy Efficiency
R0308005070	5000K	70	700	11,45	8	1368	171	
			1050	11,95	12,55	1836	146	
R0308004070	4000K		700	11,45	8	1368	171	
			1050	11,95	12,55	1836	146	
R0308003070	3000K		700	11,45	8	1300	162	
			1050	11,95	12,55	1744	139	
R0308002770	2700K		700	11,45	8	1300	162	
			1050	11,95	12,55	1744	139	



# LightMAX

2x2 power led module | R0308

## Mechanical drawing



## Accessories



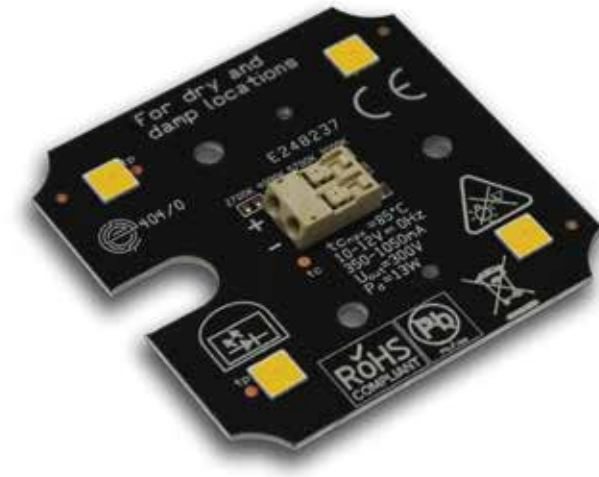
## Lenses

Part number	Beam angle
LL04CR-BXJ80150L02 (Type II-Short)	80° x 150°
LL04CR-BXJ45155L02 (Type III-Short)	45° x 155°
LL04CR-BXJ60L02 (Type V-Short)	60°
LL04CR-BXJ90L02 (Type V-Short)	90°
LL04CR-CEC09L06	9°
LL04CR-CEC25L06	25°
LL04CR-CEC50L06	50°
LL04CR-CFN35155L02 (Type II-Medium)	35° x 155°
LL04CR-CFN60155L02 (Type III-Medium)	60° x 155°
LL04CR-CGM85135L02 (Type I-Short)	85° x 135°
LL04CR-CXE165L19 (Type V-Medium)	165°



# LightMAX

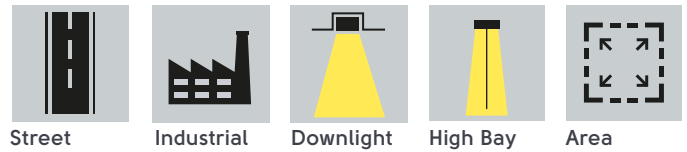
2x2 power led module | R0404



## Features

- PCB dimension: 53x53mm;
- Up to 2151 lm;
- Up to 194 lm/W;
- CRI 70;
- Max Electrical Insulation 300V, Max 20 LED boards in series;
- Connection type: S-Poke 4mm 2 pole;
- Lifetime >60000h @ 700mA.

## Applications



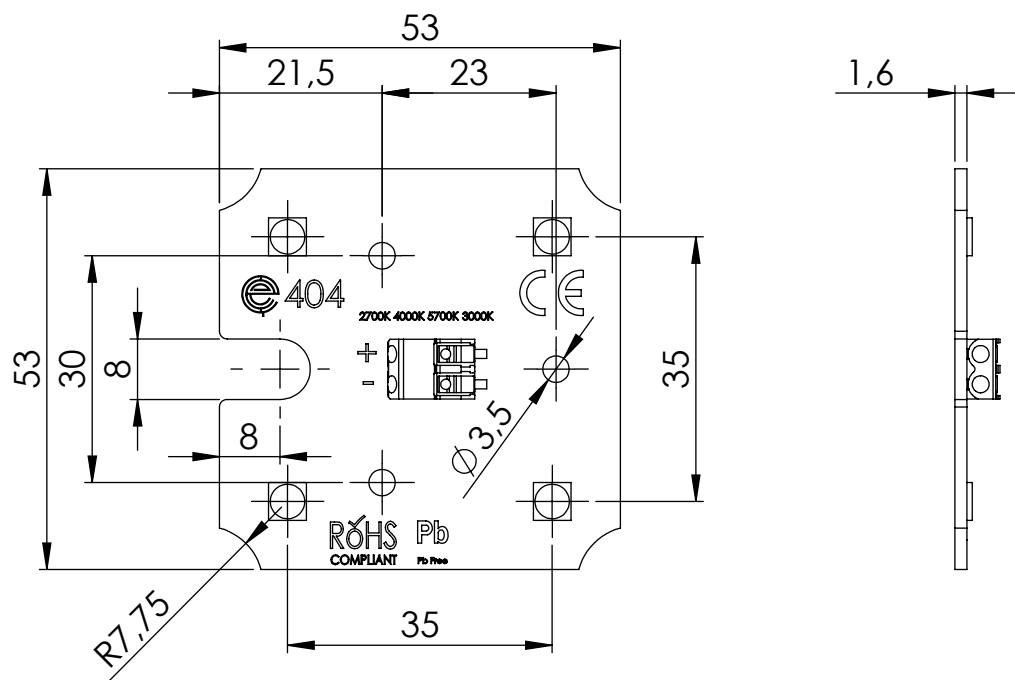
Code	CCT	CRI	Current [mA]	Voltage [V]	Power [W]	Total Lumen [lm]	lm/W	Energy Efficiency
R0404005070	5000K	70	700	11,44	8	1550	194	
			1000	11,84	11,84	2151	182	
R0404004070	4000K		700	11,44	8	1550	194	
			1000	11,84	11,84	2151	182	
R0404003070	3000K		700	11,44	8	1503	188	
			1000	11,84	11,84	2087	144	
R0404002770	2700K		700	11,44	8	1433	179	
			1000	11,84	11,84	1990	168	



# LightMAX

2x2 power led module | R0404

## Mechanical drawing



## Accessories



### Lens

Part number	Beam angle
LL04ZZ-WAU35140L52+ Gasket	35° x 140°

# LightMAX

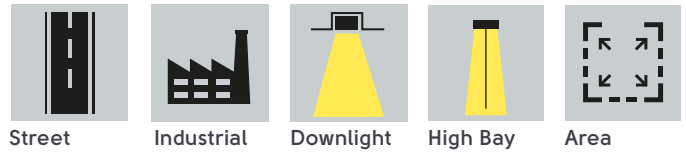
2x2 power led module | R0703



## Features

- PCB dimension: 50x65mm;
- Up to 2157 lm;
- Up to 186 lm/W;
- CRI 70;
- Max Electrical Insulation 250V,  
Max 20 LED boards in series;
- CRI 70, 80 and 90;
- Connection type: WAGO 2060 series 1 pole;
- Lifetime >60000h @ 1000mA.

## Applications



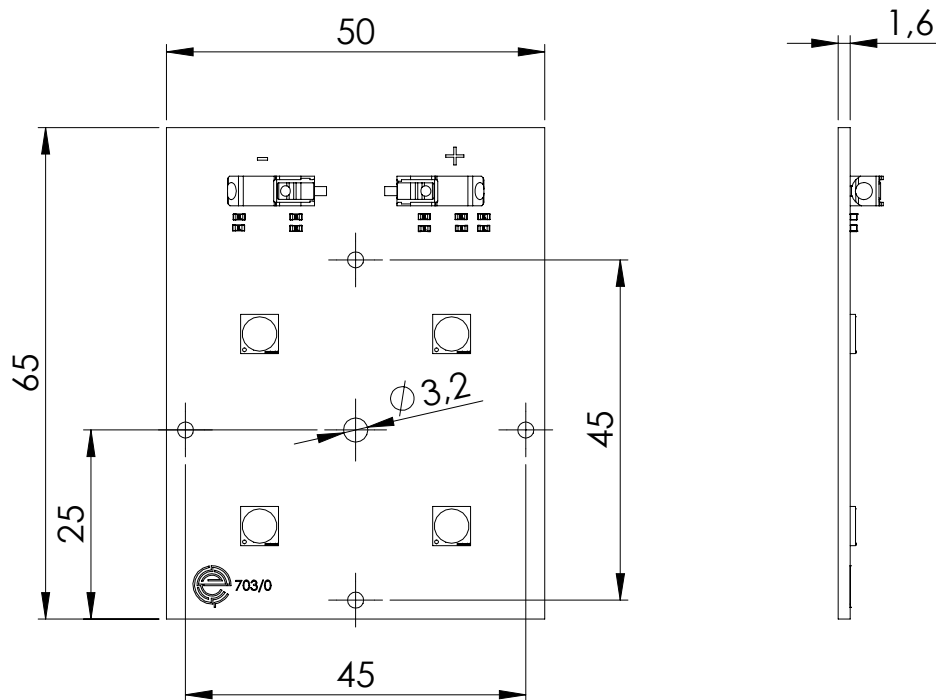
Code	CCT	CRI	Current [mA]	Voltage [V]	Power [W]	Total Lumen [lm]	lm/W	Energy Efficiency
R0703012770	2700K	70	700	11	8	1399	167	
			1000	12	12	1942	162	
R0703013070	3000K		700	11	8	1444	172	
			1000	12	12	2006	167	
R0703014070	4000K		700	11	8	1560	186	
			1000	12	12	1560	181	
R0703015070	5000K		700	11	8	1554	185	
			1000	12	12	2157	180	



# LightMAX

2x2 power led module | R0703

## Mechanical drawing



## Accessories

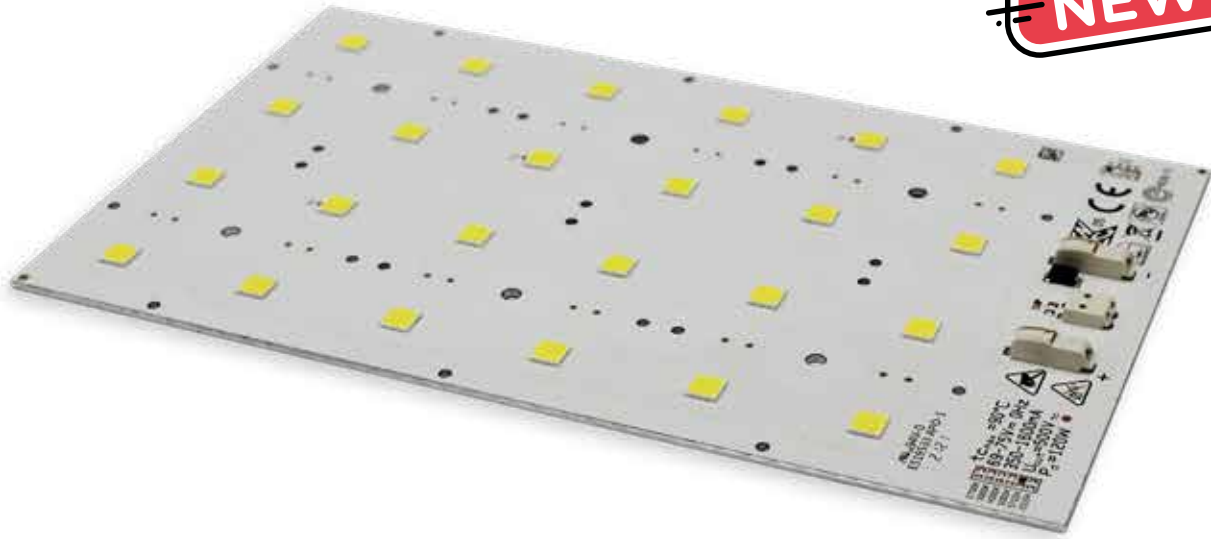


## Lenses

Part number	Beam angle
LL04CR-BXJ80150L02 (Type II-Short)	80° x 150°
LL04CR-BXJ45155L02 (Type III-Short)	45° x 155°
LL04CR-BXJ95165L19 (Type II-Medium)	95° x 165°
LL04CR-BXJ65165L52 (Type IV-Medium)	65° x 165°
LL04CR-BXJ60L02 (Type V-Short)	60°
LL04CR-BXJ90L02 (Type V-Short)	90°
LL04CR-CXR25L52	25°
LL04CR-CXR40L52	40°
LL04CR-CXR60L52	60°
LL04CR-CXR165L52	165°
LL04LU-CXR2060L06	20° x 60°
LL04CR-DBJ2090L19	20° x 90°

# LightMAX

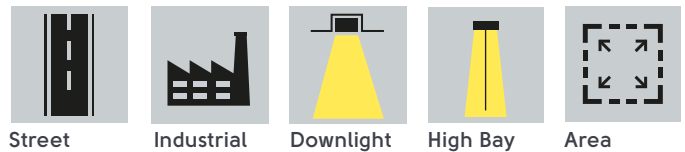
24 power led module | R0839



## Features

- PCB dimension: 172x100mm;
- Up to 13557 lm;
- Up to 204 lm/W;
- CRI 70;
- Max Electrical Insulation 500V, Max 6 LED boards in series;
- Connection type: WAGO 2060 2060-451/998-404, WAGO 2059-302/998-403 NTC;
- Lifetime >60000h @ 700mA;
- NTC available on request;
- ENEC certified.

## Applications



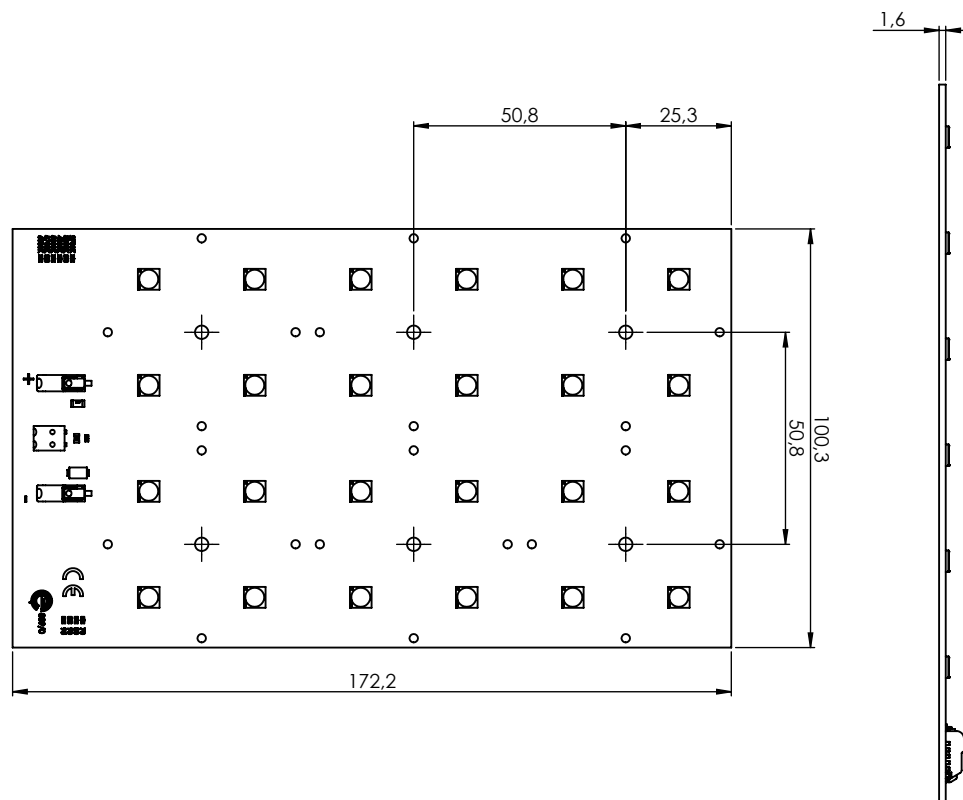
Code	CCT	CRI	Current [mA]	Voltage [V]	Power [W]	Total Lumen [lm]	lm/W	Energy Efficiency
R0839013070	3000K	70	350	65,9	23	4706	204	B
			500	69,9	34,9	6250	179	C
			700	72	50,4	9475	188	C
			1000	74,9	74,9	13183	176	C
R0839014070	4000K		350	65,9	23	4706	204	B
			500	69,9	34,9	6250	179	C
			700	72	50,4	9375	186	C
			1000	74,9	74,9	13557	181	C
R0839015770	5700K		350	68,1	23,9	4782	200	B
			500	69,9	34,9	6492	186	C
			700	72	50,4	9123	181	C
			1000	74,9	74,9	12140	162	D



# LightMAX

24 power led module | R0839

## Mechanical drawing



## Accessories



## Lenses

Part number	Beam angle
LL04CR-BXJ80150L02 (Type II-Short)	80° x 150°
LL04CR-BXJ45155L02 (Type III-Short)	45° x 155°
LL04CR-BXJ95165L19 (Type II-Medium)	95° x 165°
LL04CR-BXJ65165L52 (Type IV-Medium)	65° x 165°
LL04CR-BXJ60L02 (Type V-Short)	60°
LL04CR-BXJ90L02 (Type V-Short)	90°
LL04CR-CXR25L52	25°
LL04CR-CXR40L52	40°
LL04CR-CXR60L52	60°
LL04CR-CXR165L52	165°
LL04LU-CXR2060L06	20° x 60°
LL04CR-DBJ2090L19	20° x 90°

# LightMAX

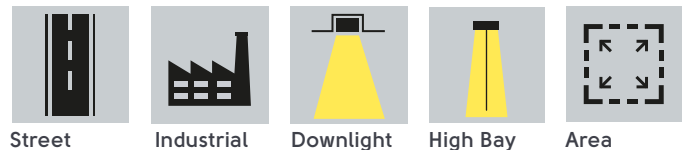
32 power led module | R0349



## Features

- PCB dimension: 164x151mm;
- Up to 16700 lm;
- Up to 188 lm/W;
- CRI 70;
- Max Electrical Insulation 250V, Max 2 LED boards in series;
- Connection type: S-Poke 4mm 2 pole;
- Lifetime >60000h @ 700mA.

## Applications



Street

Industrial

Downlight

High Bay

Area

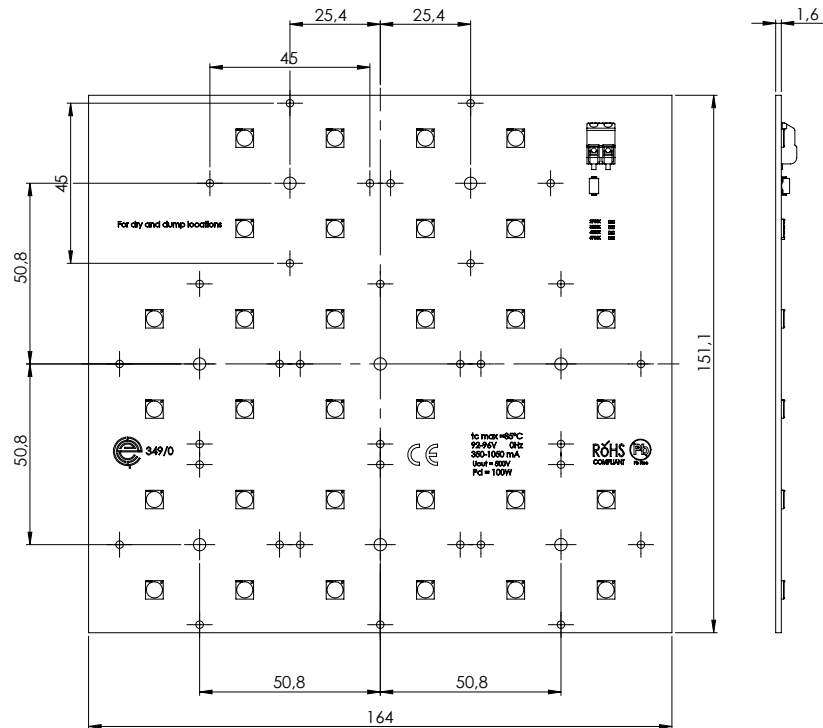
Code	CCT	CRI	Current [mA]	Voltage [V]	Power [W]	Total Lumen [lm]	lm/W	Energy Efficiency
R0349015070	5000K	70	700	91,52	64,06	12022	188	
			1000	94,72	94,72	16700	176	
R0349014070	4000K		700	91,52	64,06	12022	188	
			1000	94,72	94,72	16700	176	
R0349013070	3000K		700	91,52	64,06	11467	179	
			1000	94,72	94,72	15923	168	
R0349012770	2700K		700	91,52	64,06	11097	173	
			1000	94,72	94,72	15410	163	



# LightMAX

32 power led module | R0349

## Mechanical drawing



## Accessories



## Lenses

Part number	Beam angle
LL04CR-AU45135L46 (Type II-Short)	45° x 135°
LL04CR-BXJ80150L02 (Type II-Short)	80° x 150°
LL04CR-BXJ45155L02 (Type III-Short)	45° x 155°
LL04CR-BXJ95165L19 (Type II-Medium)	95° x 165°
LL04CR-BXJ95165Lxx (Type II-Medium)	95° x 165°
LL04CR-BXJ65165L52 (Type IV-Medium)	65° x 165°
LL04CR-BXJ60L02 (Type V-Short)	60°
LL04CR-BXJ90L02 (Type V-Short)	90°
LL04CR-CXR25L52	25°
LL04CR-CXR40L52	40°
LL04CR-CXR60L52	60°
LL04CR-CXR60L52	165°
LL04LU-CXR2060L06	20° x 60°
LL04CR-DBJ2090L19	20° x 90°

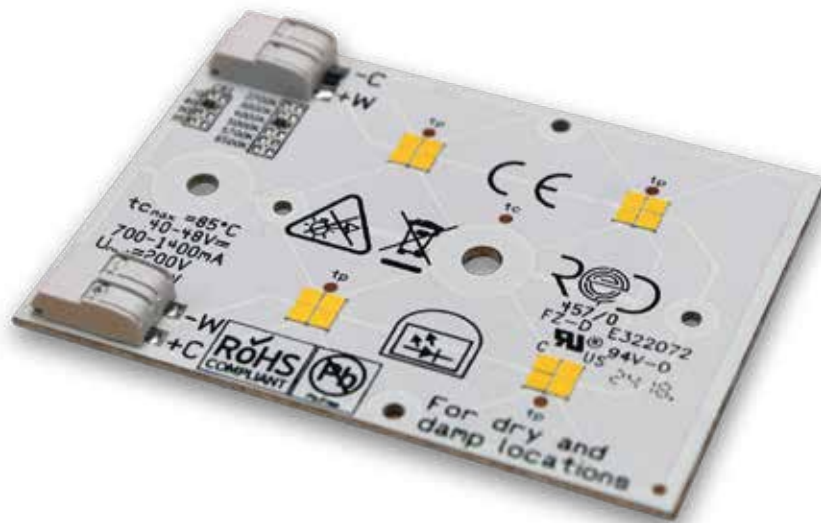
## Thermal Interface

Part number	Dimension (mm)	Thickness (mm)	Th.conductivity (W/mK)	Th.impedance (K-cm <sup>2</sup> /W)	Breakdown voltage (Vac)	Flame rating (UL94)
IRE-PAD-164X151	164X151	0,23	1,5	2,90	>6000	V0



# LightMAX

16 white power led module, cluster 4 | R0457



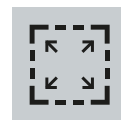
## Features

- 16 led DMC;
- 2x8 Tunable White version available on request;
- PCB dimension: 70x50mm;
- Up to 4600 lm;
- Up to 160lm/W;
- CRI 70, 80, 90;
- Max Electrical Insulation 250V, Max 4 LED boards in series;
- Connection type: WAGO 2060 series 2 pole;
- Lifetime >60000h @ 700mA.

## Applications



Industrial



Area



Downlight



High Bay

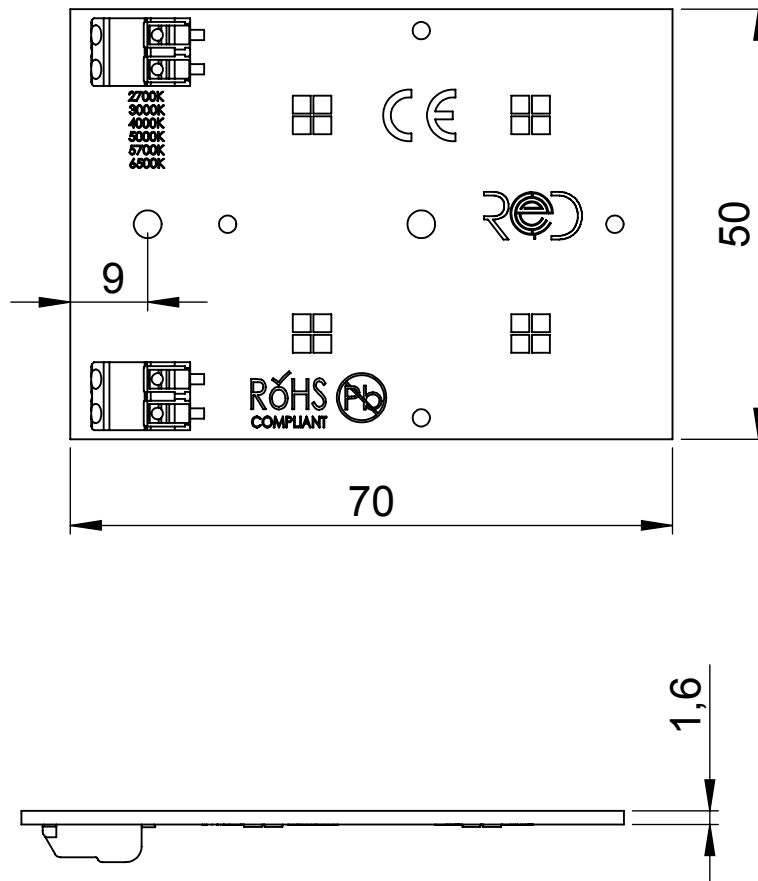
Code	CCT	CRI	Current [mA]	Voltage [V]	Power [W]	Total Lumen [lm]	lm/W	Energy Efficiency
R0457014080	4000K	80	350	47	16,00	2540	160	
			700	48	33,60	4600	136	



# LightMAX

16 white power led module, cluster 4 | R0457

## Mechanical drawing



## Accessories



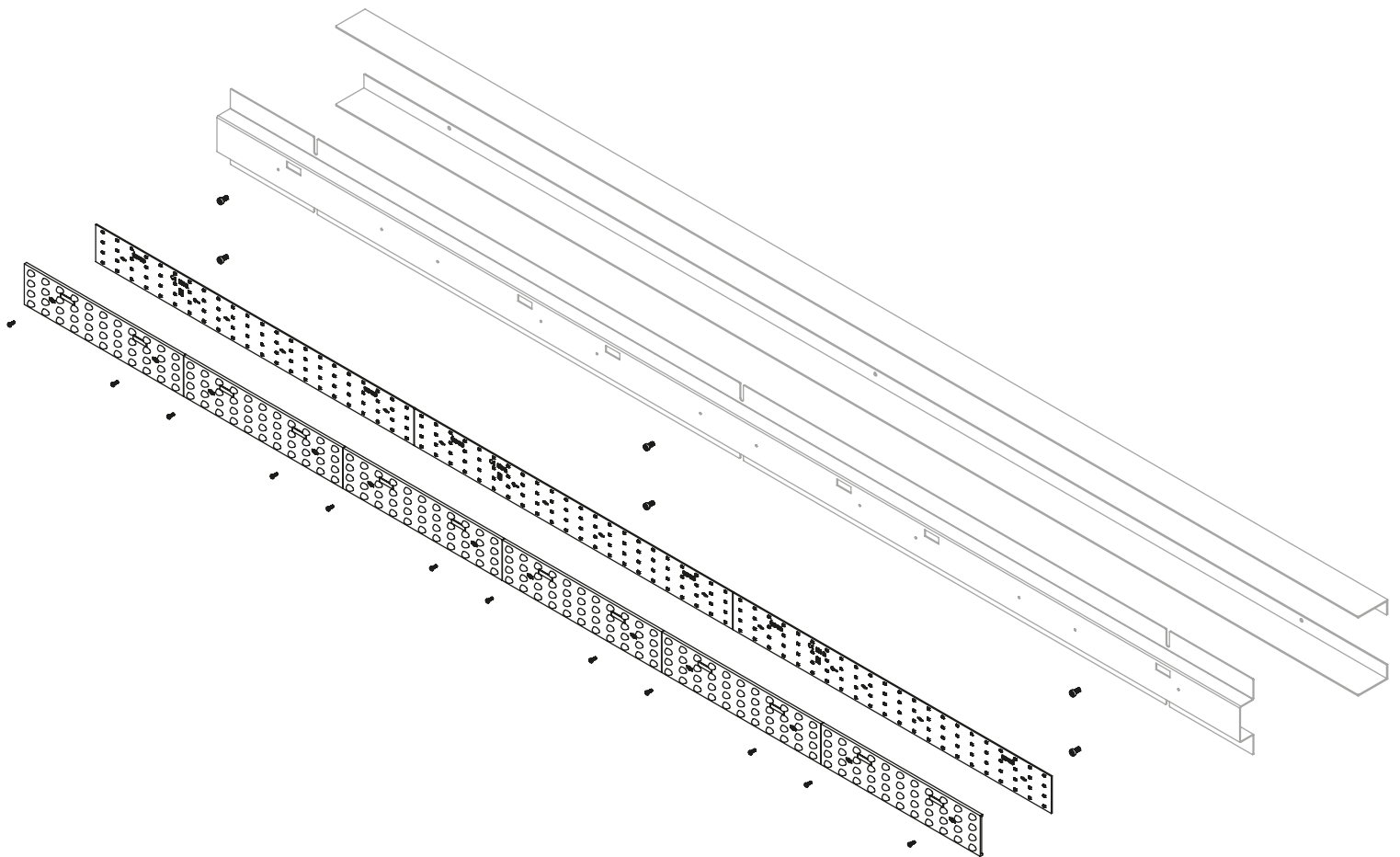
### Lenses

Part number	Beam angle
LL04CR-CXR25L52	25°
LL04CR-CXR40L52	40°
LL04CR-CXR60L52	60°
LL04CR-CXR165L52	165°
LL04LU-CXR2060L06	20° x 60



# LineMAX

Linear lighting solutions



# LineMAX

280x24mm module, 32 LEDs | R1868



## Features

- PCB dimension: 280x24mm;
- ZHAGA compliant dimension;
- Up to 1282 lm;
- Up to 193 lm/W;
- CRI 80;
- Max Electrical Insulation 150V,  
Max 6 LED boards in series;
- Connection type: AVX 70-9296;
- Lifetime >60000h @ 300mA.

## Applications



Indoor



Commercial



Backlight



Industrial

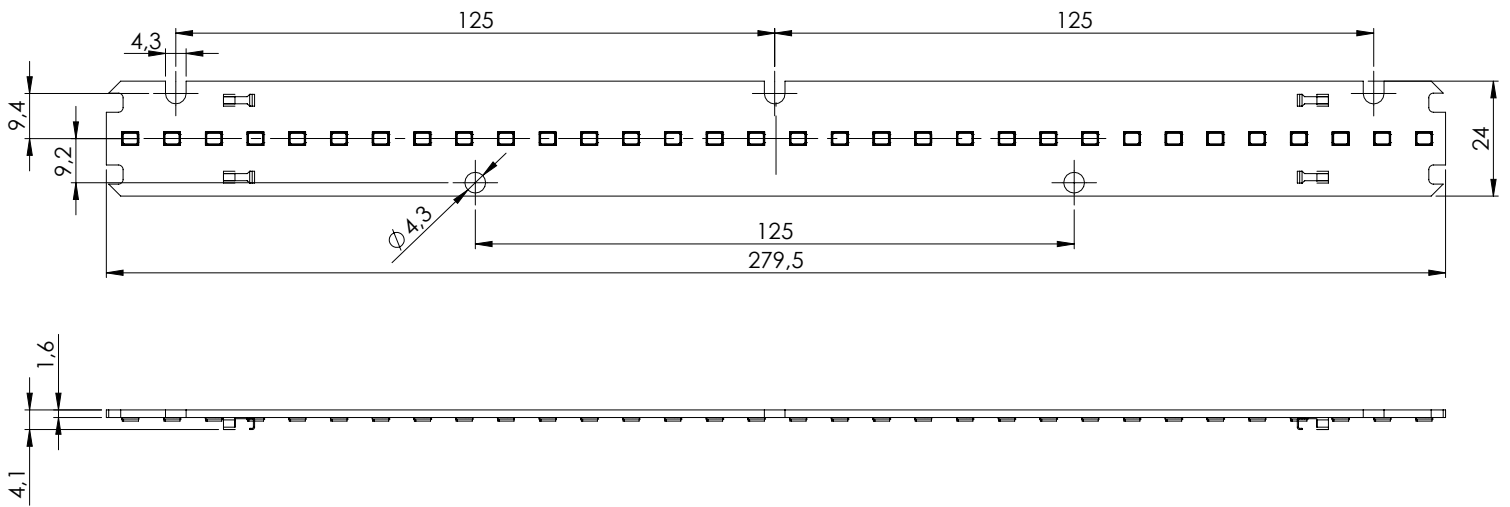
Code	CCT	CRI	Current [mA]	Voltage [V]	Power [W]	Total Lumen* [lm]	lm/W	Energy Efficiency
R1868213080	3000K	80	300	21,96	6,64	1203	181	
R1868214080	4000K		300	21,93	6,63	1282	193	



# LineMAX

280x24mm module, 32 LEDs | R1868

## Mechanical drawing



# LineMAX

280x24mm module, 24 LEDs | R1381



## Features

- PCB dimension: 280x24mm;
- ZHAGA compliant dimension;
- Up to 2143 lm;
- Up to 185 lm/W;
- CRI 80, 90, 95 available on request;
- Max Electrical Insulation 250V,  
Max 6 LED boards in series;
- Connection type: Adels 0,2-0,75mm 1 pole;
- Lifetime >60000h @ 350mA.

## Applications



Indoor



Commercial



Backlight

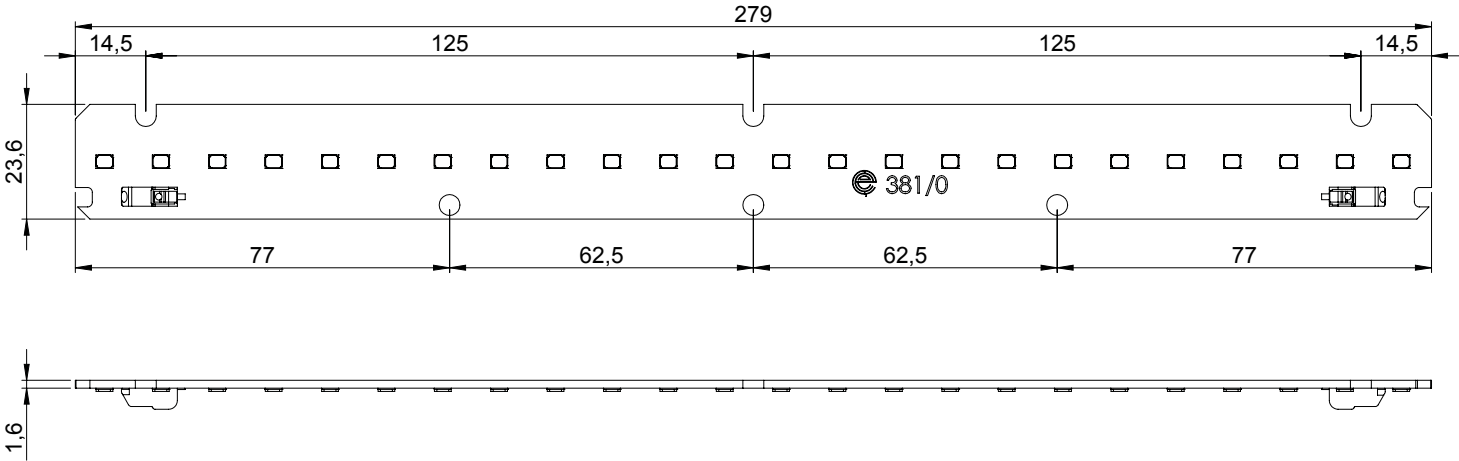
Code	CCT	CRI	Current [mA]	Voltage [V]	Power [W]	Total Lumen [lm]	lm/W	Energy Efficiency
R1381113080	3000K	80	350	24	8,4	1306	155	
			500	25,4	12,7	1918	151	
R1381114080	4000K		350	24	8,4	1469	175	
			500	25,4	12,7	2030	160	
R1381115080	5000K		350	24	8,4	1550	185	
			500	25,4	12,7	2143	169	



# LineMAX

280x24mm module, 24 LEDs | R1381

## Mechanical drawing





# LineMAX

560x24mm module, 48 LEDs | R1383



## Features

- PCB dimension: 560x24mm;
- ZHAGA compliant dimension;
- Up to 4286 lm;
- Up to 185 lm/W;
- CRI 80, 90, 95;
- Max Electrical Insulation 250V,  
Max 3 LED boards in series;
- Connection type: Adels 0,2-0,75mm 1 pole;
- Lifetime >60000h @ 350mA.

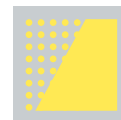
## Applications



Indoor



Commercial



Backlight

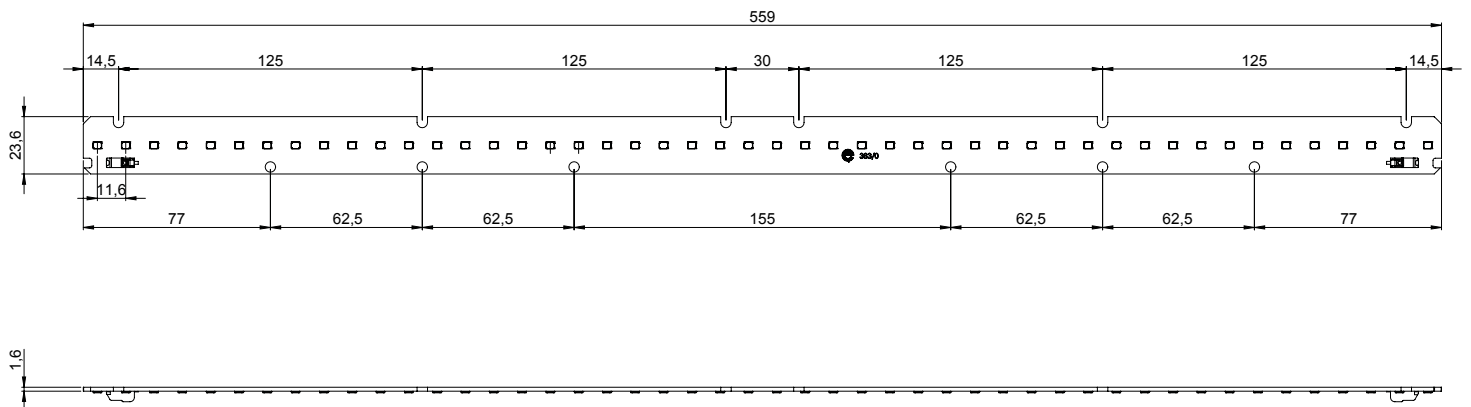
Code	CCT	CRI	Current [mA]	Voltage [V]	Power [W]	Total Lumen [lm]	lm/W	Energy Efficiency
R1383113080	3000K	80	350	48	16,8	2612	155	
			500	50,8	25,4	3836	151	
R1383114080	4000K		350	48	16,8	2938	175	
			500	50,8	25,4	4060	160	
R1383115080	5000K		350	48	16,8	3100	185	
			500	50,8	25,4	4286	169	



# LineMAX

560x24mm module, 48 LEDs | R1383

## Mechanical drawing



# LineMAX

560x24mm linear module, 64 LEDs | R1718



## Features

- PCB dimension: 560x24mm;
- ZHAGA compliant dimension;
- Up to 5837 lm;
- Up to 177 lm/W;
- CRI 80;
- Max Electrical Insulation 250V, (400V with plastic screws), Max 5 LED boards in series (6pcs with plastic screws);
- Connection type: AVX Poke 2,5mm 70-9296;
- Lifetime >60000h @500mA 65°C Tc.

## Applications



Indoor



Commercial

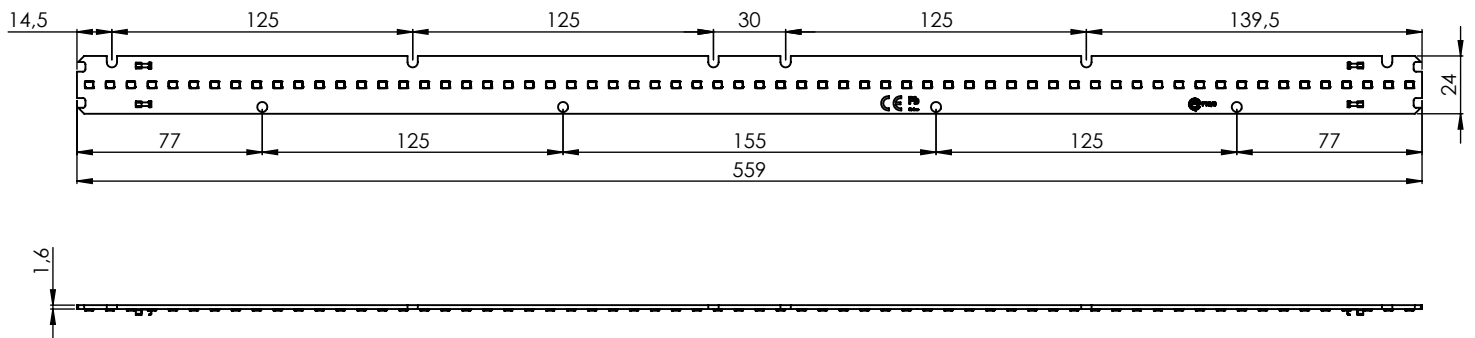
Code	CCT	CRI	Current [mA]	Voltage [V]	Power [W]	Total Lumen [lm]	lm/W	Energy Efficiency
R1718203080100	3000K	80	500	48	34,72	4147	173	
			700	49,6	24	5530	159	
R1718204080100	4000K		500	48	34,72	4256	177	
			700	49,6	24	5837	168	



# LineMAX

560x24mm linear module, 64 LEDs | R1718

## Mechanical drawing



# LineMAX

560X20mm module, 72 LEDs | R1800



## Features

- PCB dimension: 560x20mm;
- ZHAGA compliant dimension;
- Up to 6687 lm;
- Up to 194 lm/W;
- CRI 70, 80;
- Max Electrical Insulation 250V;
- Connection type: Adels low profile or WAGO 0,2-0,75mm 1 pole and/or BJB46-121 Reverse;
- Lifetime >60000h @ 500mA
- 96 LEDs version available (code: R1791).

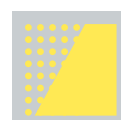
## Applications



Indoor



Commercial



Backlight

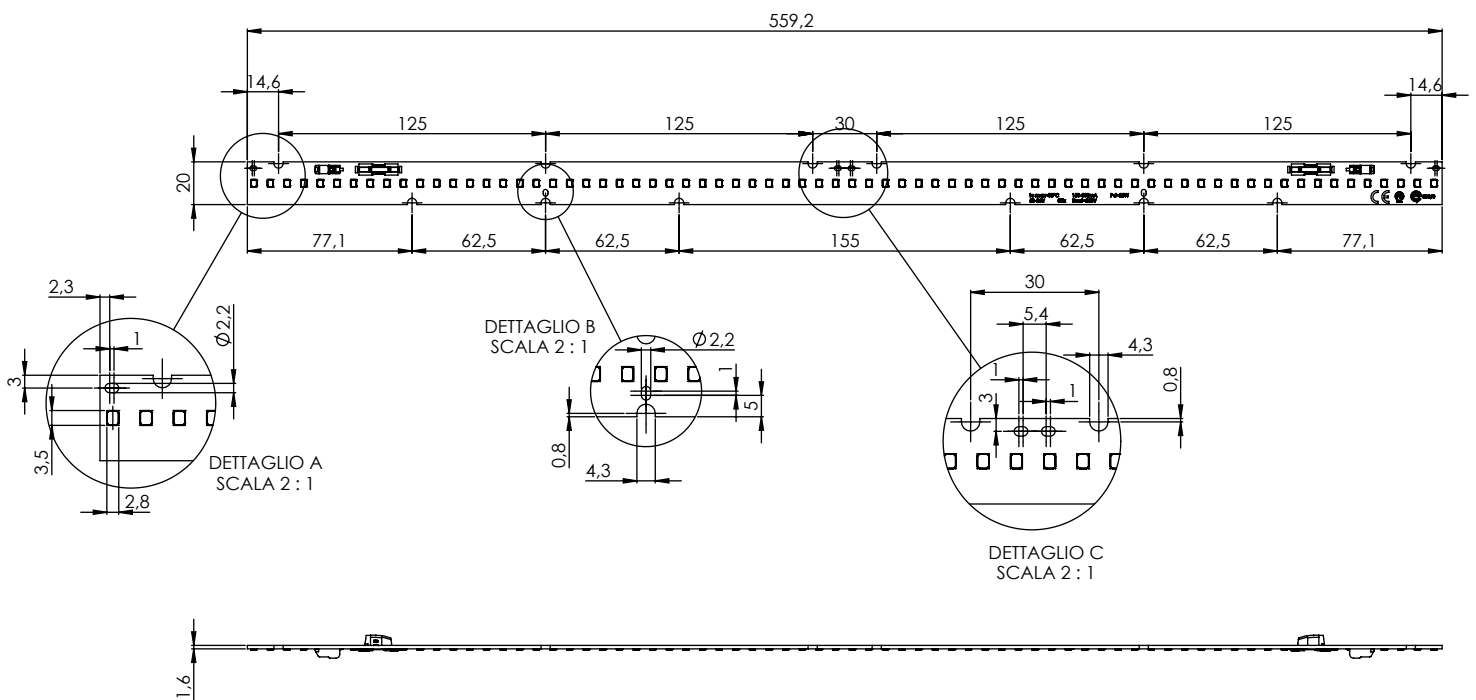
Code	CCT	CRI	Current [mA]	Voltage [V]	Power [W]	Total Lumen [lm]	lm/W	Energy Efficiency
R1800113080	3000K	80	350	49,2	17,22	3168	184	
			700	51,9	36,33	5760	159	
R1800114080	4000K		350	49,2	17,22	3329	193	
			700	51,9	36,33	6349	174	
R1800115080	5000K		350	49,2	17,22	3341	194	
			700	51,9	36,33	6687	184	



# LineMAX

560X20mm module, 72 LEDs | R1800

## Mechanical drawing



# LineMAX

1138x55mm module, 132 LEDs | R1357



## Features

- PCB dimension: 1138x55mm;
- Up to 12040 lm;
- Up to 190 lm/W;
- CRI 80, 90, 95;
- Max Electrical Insulation 250V;
- Connection type: WAGO 4mm 1 pole, BJB Reverse 46.111 series 1 pole;
- Lifetime >60000h @ 350mA.

## Applications



Indoor



Commercial



Backlight

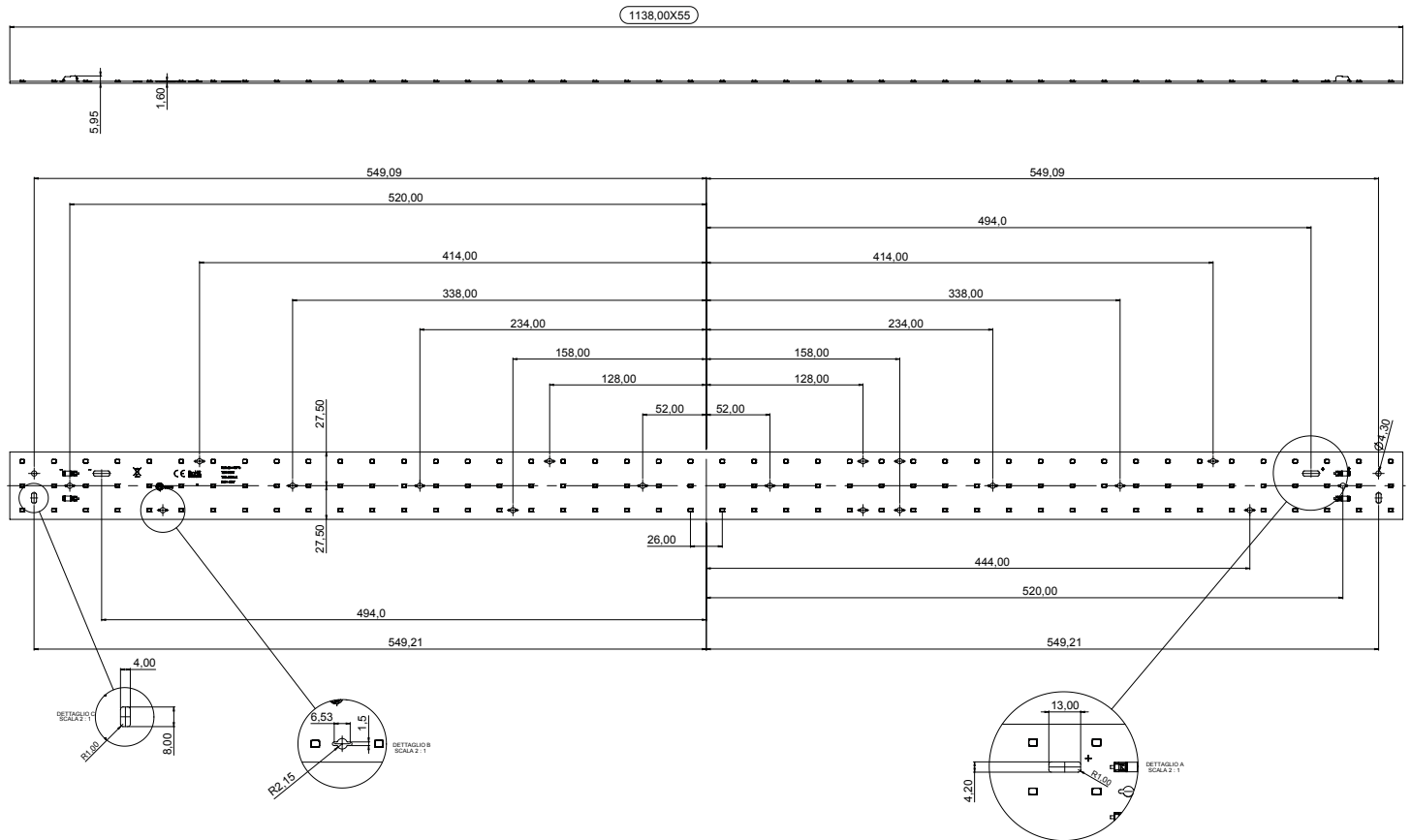
Code	CCT	CRI	Current [mA]	Voltage [V]	Power [W]	Total Lumen [lm]	lm/W	Energy Efficiency
R1357113080	3000K	80	350	132	46,2	7856	170	
			500	140	70	10772	154	
R1357114080	4000K		350	132	46,2	8316	180	
			500	140	70	11404	163	
R1357115080	5000K		350	132	46,2	8780	190	
			500	140	70	12040	172	



# LineMAX

1138x55mm module, 132 LEDs | R1357

## Mechanical drawing



## Accessories



### Lenses

Part number	Beam angle
LL03ZZ-CRO100L06	100°
LL03ZZ-CRO3090L06	30° x 90°
LL03ZZ-CRO3595L06	35° x 95°
LL03ZZ-CRO6090L06	60° x 90°
LL03ZZ-CRO70125L06	70° x 125°



# LineMAX

400x10mm module, 56 LEDs, 24Vdc | R1494



## Features

- PCB dimension: 400x10mm;
- Up to 3052 lm;
- Up to 181 lm/W;
- CRI 80, 90;
- Max Electrical Insulation 250V, Max 5 LED boards in series;
- Connection type: BTB AVX 70-9159;
- Lifetime >50000h @ 700mA;
- Available in Meat, Fish, Vegetable and Bread version;
- Cutting area every 50mm / 7 LEDs.

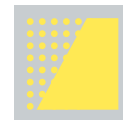
## Applications



Indoor



Commercial



Backlight

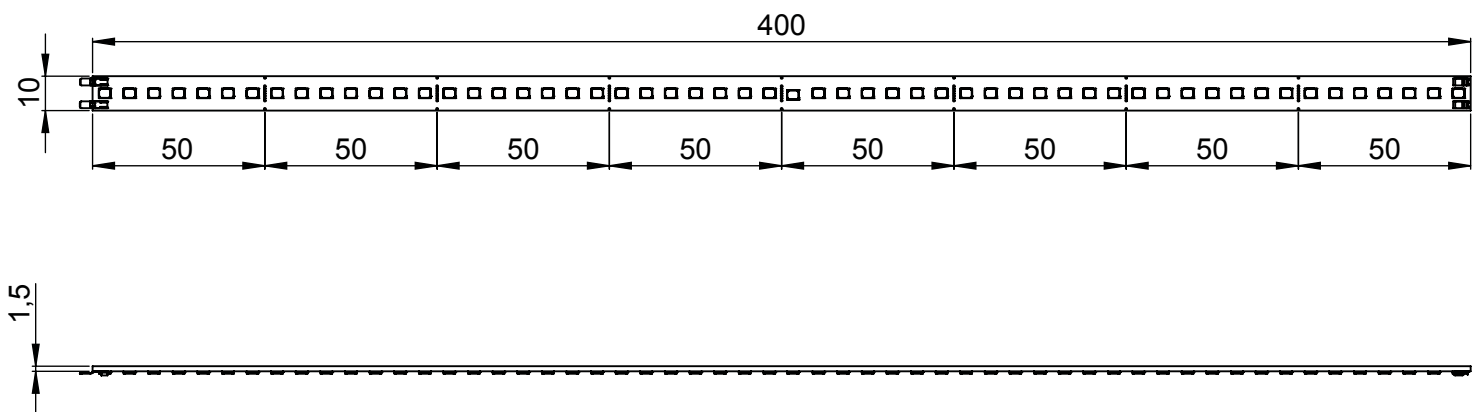
Code	CCT	CRI	Current [mA]	Voltage [V]	Power [W]	Total Lumen [lm]	lm/W	Energy Efficiency
R1494112780	2700K	80	700	24	16,8	2884	171	
R1494113080	3000K					3052	181	
R149411REME	R.Meat	NA				1480	88	
R1494MEME	M.Meat					1430	85	
R1494FISH	Fish					2400	142	
R1494BREA	Bread					2240	133	
R1494PROD	Vegetable					2100	125	



# LineMAX

400x10mm module, 56 LEDs, 24Vdc | R1494

## Mechanical drawing



500x11mm Tunable White module, 56+56 LEDs, 24Vdc | R1439



## Features

- PCB dimension: 500x11mm;
- Up to 1135 lm;
- Up to 123 lm/W;
- CRI 80, 90;
- Max Electrical Insulation 250V, Max 9 LED boards in series;
- Connection type: Cable;
- Lifetime >60000h @ 500mA.

## Applications



Indoor



Commercial



Backlight

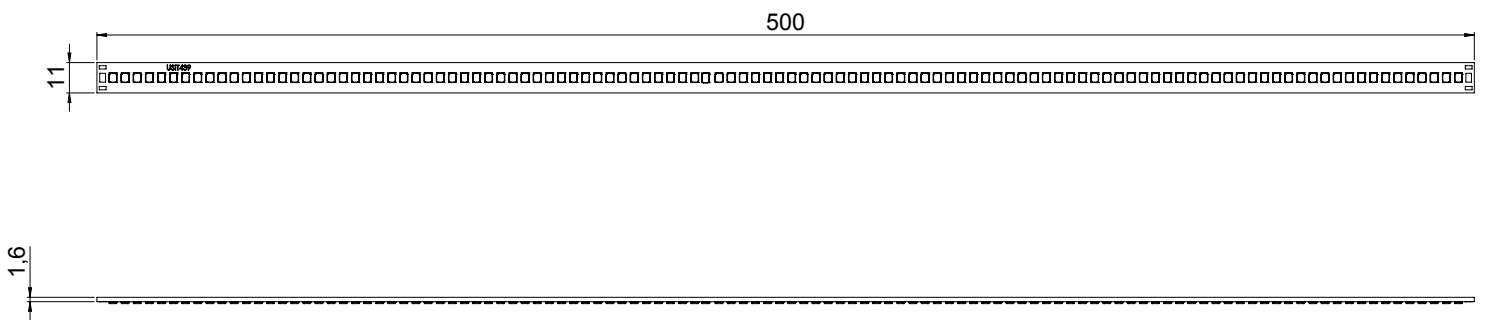
Code	CCT	CRI	Current [mA]	Voltage [V]	Power [W]	Total Lumen [lm]	lm/W	Energy Efficiency
R143911WWCW	2700K	80	200	24	4,8	588	123	
	5000K		200		4,8	547	114	
	2700K+5000K		400		9,6	1135	118	



# LineMAX

500x11mm Tunable White module, 56+56 LEDs, 24Vdc | R1439

## Mechanical drawing



# LineMAX

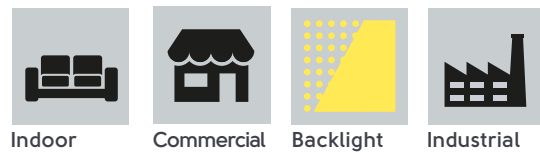
280x55mm module, 33 LEDs | R1452



## Features

- PCB dimension: 280x55mm (566x55mm version available – code: R1453);
- Up to 3010 lm;
- Up to 190 lm/W;
- CRI 80, 90, 95;
- Max Electrical Insulation 250V (750V available on request – code: R1318), Max 7 LED boards in series;
- Connection type: WAGO 4mm 1 pole, BJB Reverse 46.121 series 1 pole;
- Lifetime >60000h @ 350mA.

## Applications



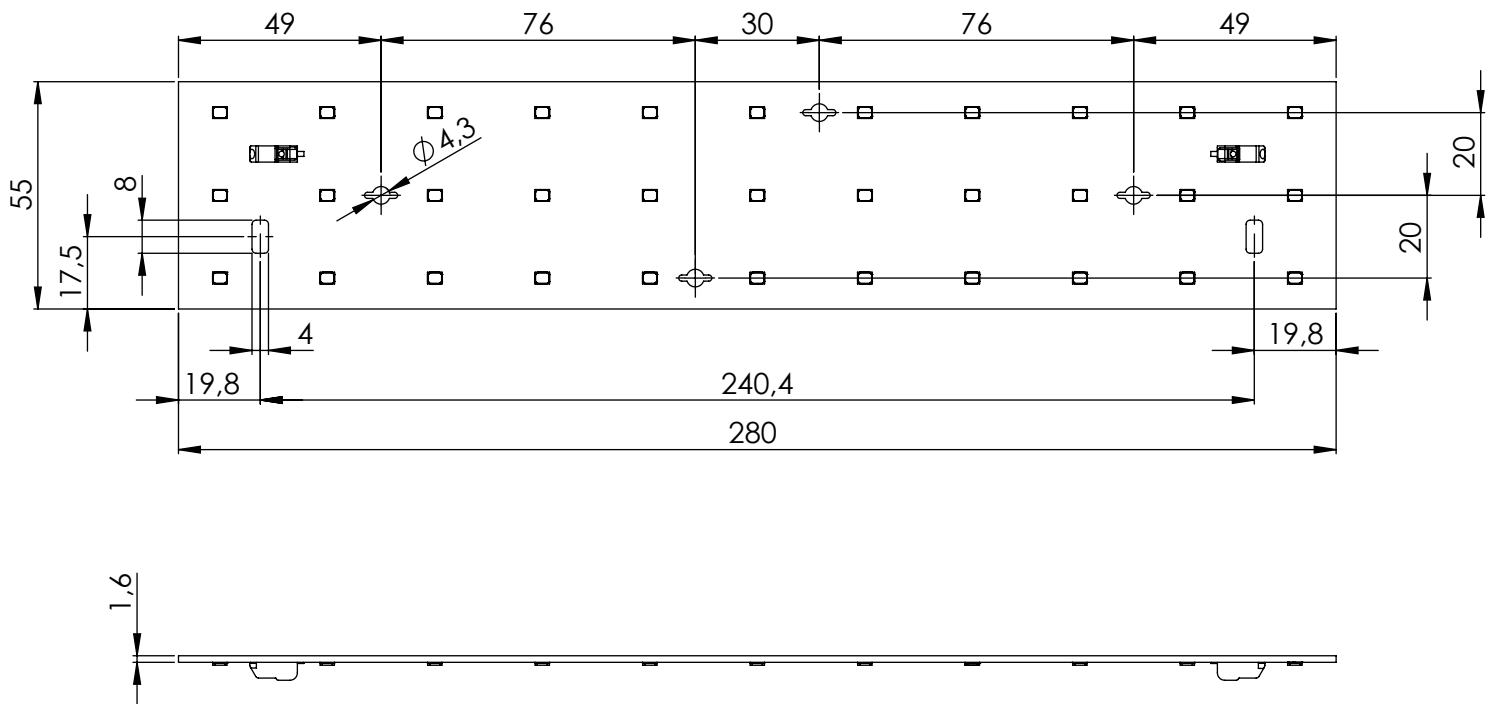
Code	CCT	CRI	Current [mA]	Voltage [V]	Power [W]	Total Lumen [lm]	lm/W	Energy Efficiency
R1452213080	3000K	80	350	33	11,55	1964	170	
			500	35	17,5	2693	154	
R1452214080	4000K		350	33	11,55	2079	180	
			500	35	17,5	2851	163	
R1452215080	5000K		350	33	11,55	2195	190	
			500	35	17,5	3010	172	



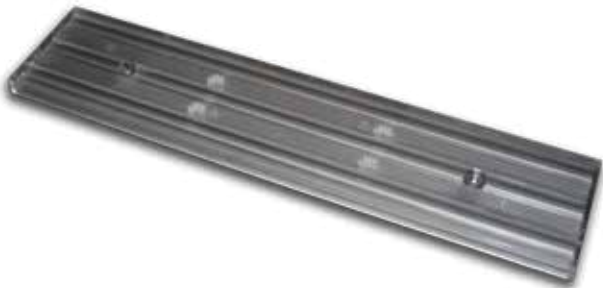
# LineMAX

280x55mm module, 33 LEDs | R1452

## Mechanical drawing



## Accessories



Lenses	
Part number	Beam angle
LL03ZZ-CRO100L06	100°
LL03ZZ-CRO3090L06	30° x 90°
LL03ZZ-CRO3595L06	35° x 95°
LL03ZZ-CRO6090L06	60° x 90°
LL03ZZ-CRO70125L06	70° x 125°

# LineMAX

Hyper-efficient efficient LED module, 280x55mm, 108 LEDs | R1813



## Features

- PCB dimension: 280x55mm;
- Up to 6821 lm;
- Up to 208 lm/W;
- CRI 80;
- Max 4 LED boards in series;
- Connection type: Wago 2060-451, Wago 2060-452, Wago reverse 2070-461;
- Lifetime >60000h @ 700mA;
- Compatible with CRO lens by Ledlink Optics.

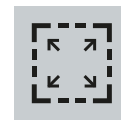
## Applications



Indoor



Commercial



Area

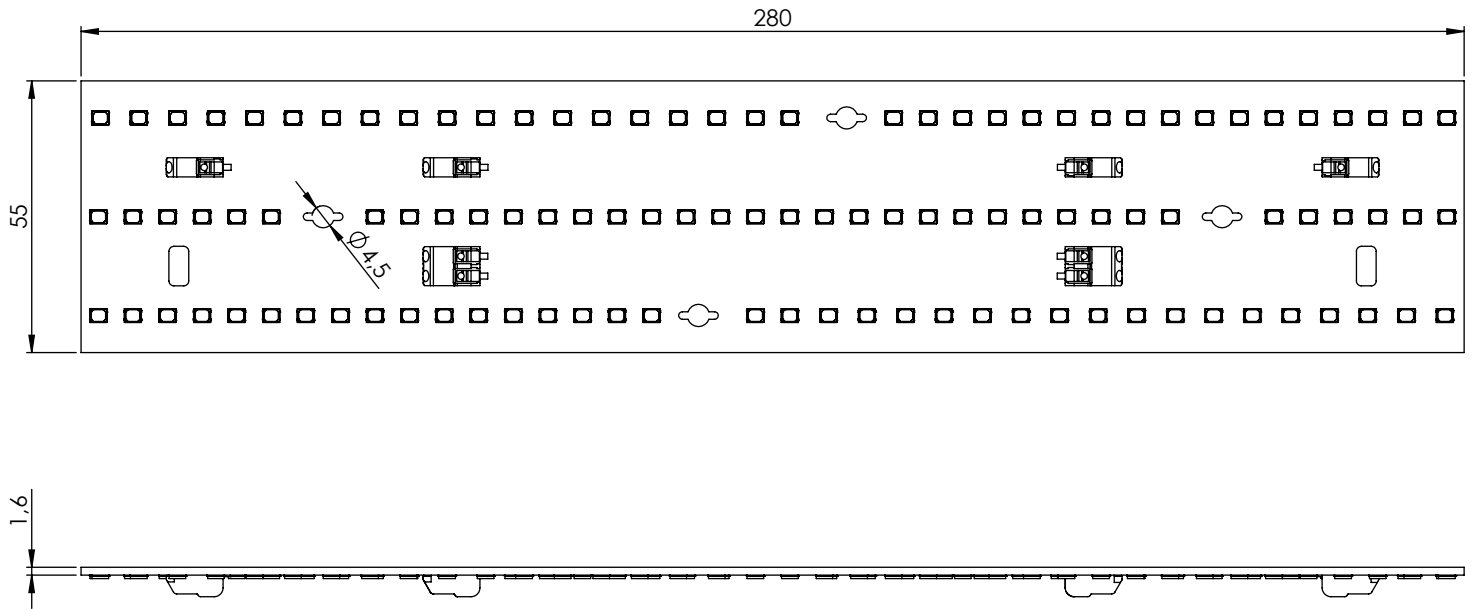
Code	CCT	CRI	Current [mA]	Voltage [V]	Power [W]	Total Lumen [lm]	lm/W	Energy Efficiency
R1813113080000	3000K	80	500	32,8	16,4	3255	199	
			700	33	23,1	4377	190	
			1050	33,7	35,4	6544	185	
R1813114080000	4000K		500	32,7	16,35	3400	208	
			700	33	23,1	4562	198	
			1050	33,7	35,4	6821	193	



# LineMAX

Hyper-efficient efficient LED module, 280x55mm, 108 LEDs | R1813

## Mechanical drawing



## Accessories



Lenses	
Part number	Beam angle
LL03ZZ-CRO100L06	100°
LL03ZZ-CRO3090L06	30° x 90°
LL03ZZ-CRO3595L06	35° x 95°
LL03ZZ-CRO6090L06	60° x 90°
LL03ZZ-CRO701250L06	70° x 125°



# LineMAX

High performance 280x55mm module, 44 LEDs | R1369



## Features

- PCB dimension: 280x55mm;
- Up to 3010 lm;
- Up to 186 lm/W;
- CRI 80, 90, 95;
- Max Electrical Insulation 250V, Max 8 LED boards in series;
- Connection type: BJB Reverse 46.121 series 1 pole;
- Lifetime >60000h @ 500mA.

## Applications



Indoor



Commercial



Backlight



Industrial

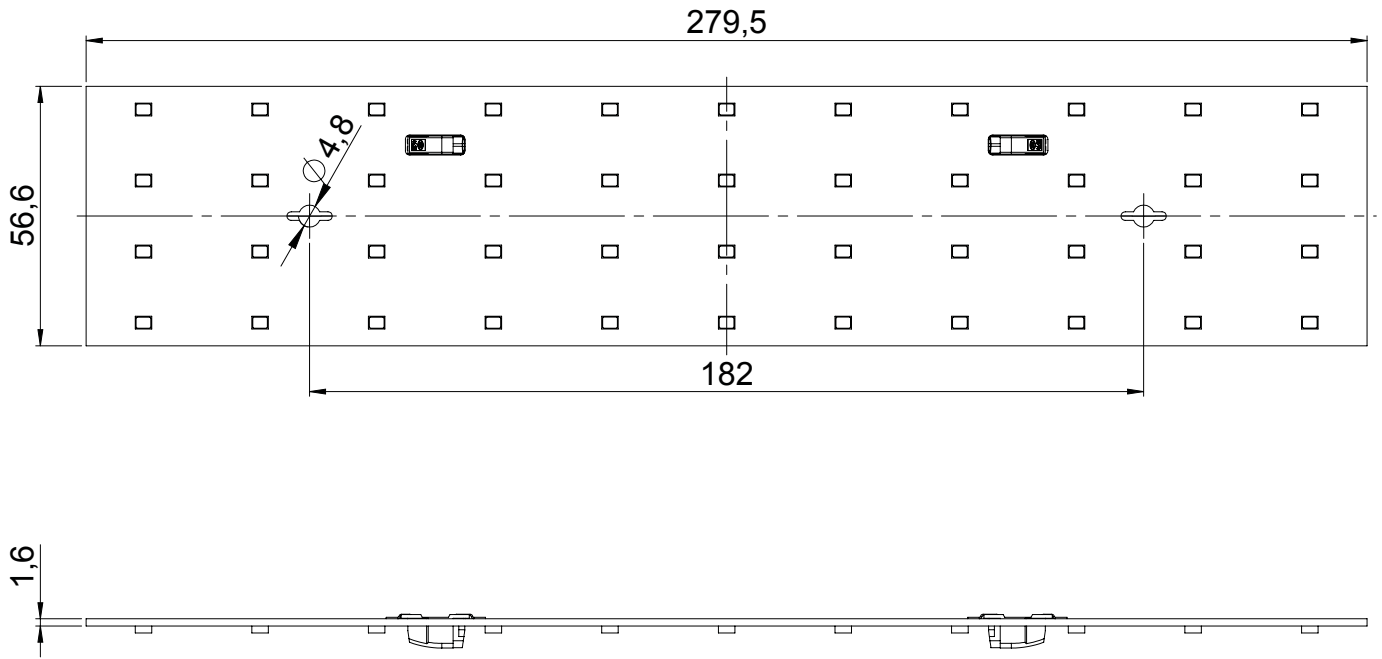
Code	CCT	CRI	Current [mA]	Voltage [V]	Power [W]	Total Lumen [lm]	lm/W	Energy Efficiency
R1369213080	3000K	80	350	32,34	11,32	1900	168	
			500	33,34	16,72	2693	161	
R1369214080	4000K		350	32,34	11,32	2012	178	
			500	33,34	16,72	2851	171	
R1369215080	5000K		350	32,34	11,32	2123	186	
			500	33,34	16,72	3010	180	



# LineMAX

High performance 280x55mm module, 44 LEDs | R1369

## Mechanical drawing



## Accessories

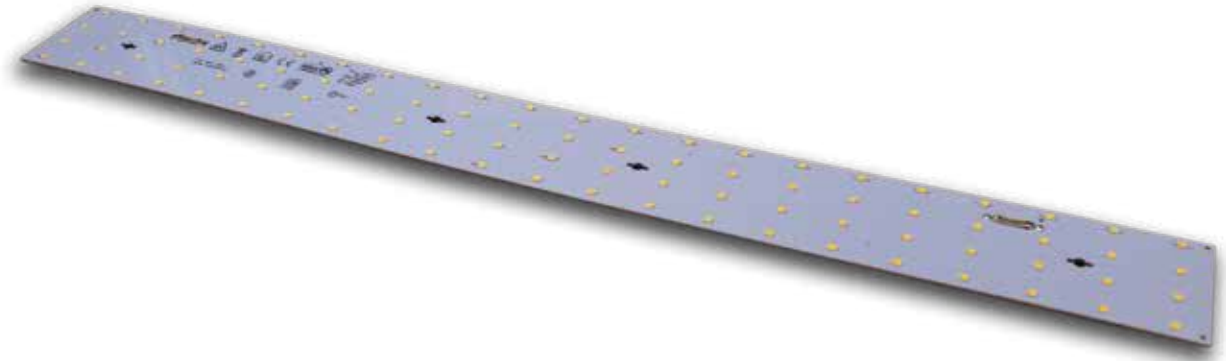


### Lenses

Part number	Beam angle
LL44ZZ-DCP30L52	30°
LL44ZZ-DCP60L52	60°
LL44ZZ-DCP90L52	90°
LL44ZZ-DCP20110L52	20° x 110° (Asymmetric)
LL44ZZ-DCP70120L52	70° x 120° (Double Asymmetric)

# LineMAX

High performance 560x55mm module, 88 LEDs | R1395



## Features

- PCB dimension: 560x55mm;
- Up to 6020 lm;
- Up to 186 lm/W;
- CRI 80, 90, 95;
- Max Electrical Insulation 250V, Max 4 LED boards in series;
- Connection type: BJB Reverse 46.111 series 1 pole;
- Lifetime >60000h @ 500mA.

## Applications



Indoor



Commercial



Backlight



Industrial

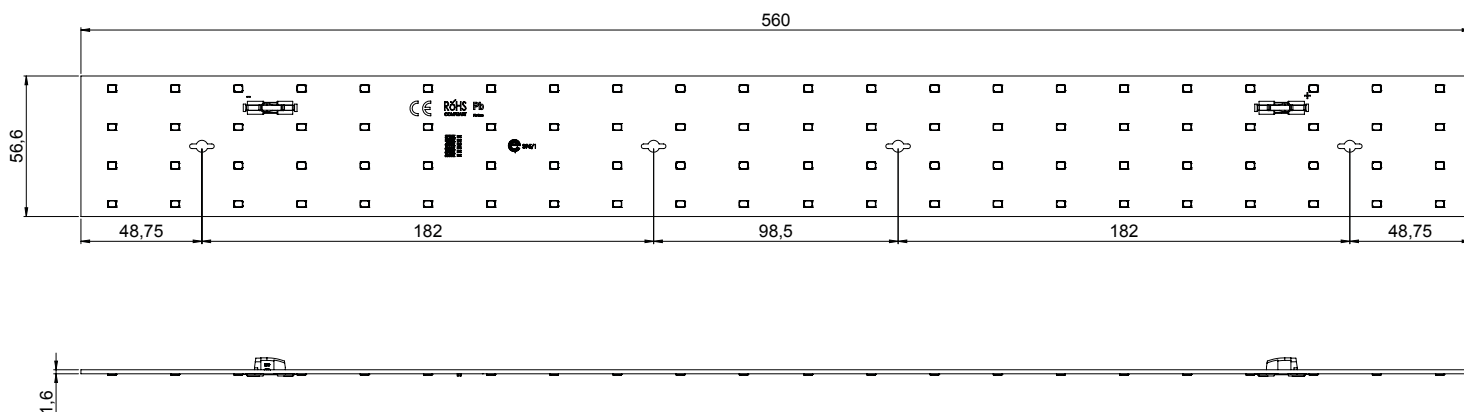
Code	CCT	CRI	Current [mA]	Voltage [V]	Power [W]	Total Lumen [lm]	lm/W	Energy Efficiency
R1395213080	3000K	80	350	64,68	22,64	3800	168	
			500	66,88	33,44	5386	161	
R1395114080	4000K		350	64,68	22,64	4024	178	
			500	66,88	33,44	5702	171	
R1395115080	5000K		350	64,68	22,64	4246	186	
			500	66,88	33,44	6020	180	



# LineMAX

High performance 560x55mm module, 88 LEDs | R1395

## Mechanical drawing



## Accessories



### Lenses

Part number	Beam angle
LL44ZZ-DCP30L52	30°
LL44ZZ-DCP60L52	60°
LL44ZZ-DCP90L52	90°
LL44ZZ-DCP20110L52	20° x 110° (Asymmetric)
LL44ZZ-DCP70120L52	70° x 120° (Double Asymmetric)

# LineMAX

High performance 1121x55mm module, 176 LEDs | R1396



## Features

- PCB dimension: 1121x55mm;
- Up to 12040 lm;
- Up to 186 lm/W;
- CRI 80, 90, 95;
- Max Electrical Insulation 250V;
- Connection type: BJB Reverse 46.111 series 1 pole;
- Lifetime >60000h @ 500mA.

## Applications



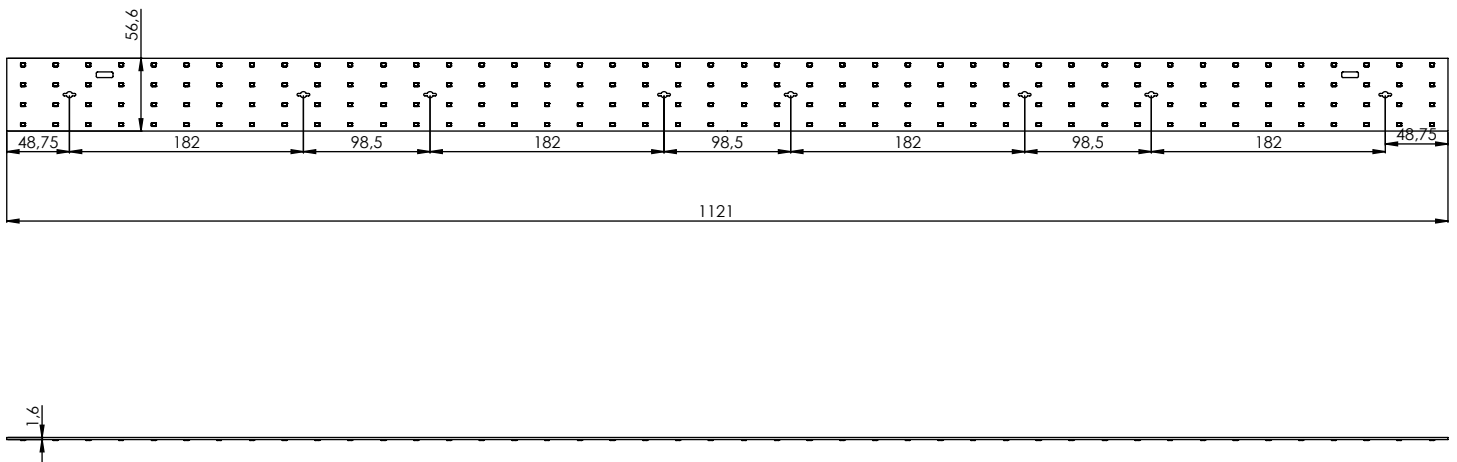
Code	CCT	CRI	Current [mA]	Voltage [V]	Power [W]	Total Lumen [lm]	lm/W	Energy Efficiency
R1396213080	3000K	80	350	129,36	45,28	7600	168	
			500	133,76	66,88	10772	161	
R1396114080	4000K		350	129,36	45,28	8048	178	
			500	133,76	66,88	11404	171	
R1396115080	5000K		350	129,36	45,28	8492	186	
			500	133,76	66,88	12040	180	



# LineMAX

High performance 1121x55mm module, 176 LEDs | R1396

## Mechanical drawing



## Accessories



### Lenses

Part number	Beam angle
LL44ZZ-DCP30L52	30°
LL44ZZ-DCP60L52	60°
LL44ZZ-DCP90L52	90°
LL44ZZ-DCP20110L52	20° x 110° (Asymmetric)
LL44ZZ-DCP70120L52	70° x 120° (Double Asymmetric)

# LineMAX

Dimmable 480x25mm module, 6 power LEDs, 24Vdc | R1386



## Features

- PCB dimension: 480x25mm;
- Up to 3384 lm;
- Up to 134 lm/W;
- CRI 70;
- Max Electrical Insulation 250V, Max 4 LED boards in parallel;
- Connection type: Molex S-Poke 4mm 1 pole;
- Lifetime >60000h @ 700mA;
- 350mA 500mA 560mA 700mA Led Current Configurable.

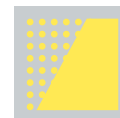
## Applications



Indoor



Commercial



Backlight



Wall Washer

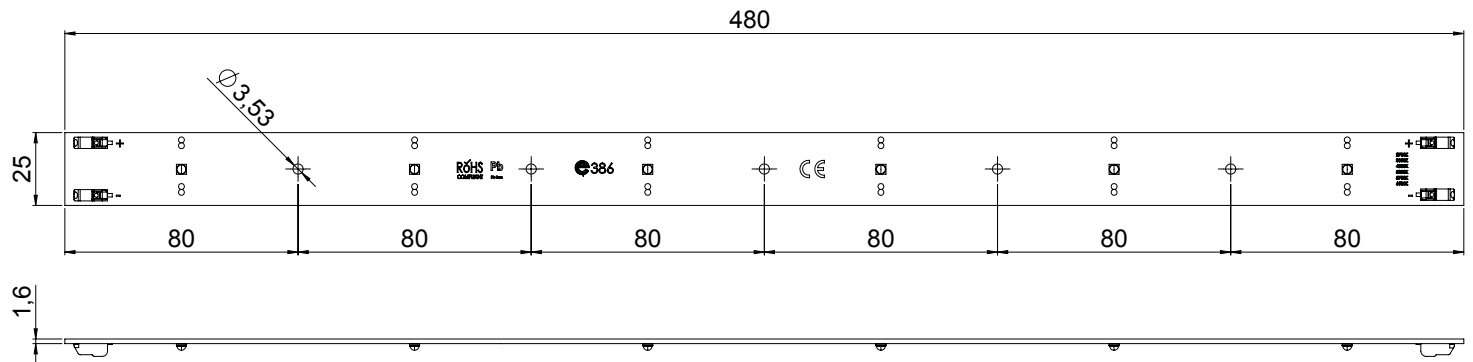
Code	CCT	CRI	Current [mA]	Voltage [V]	Power [W]	Total Lumen [lm]	lm/W	Energy Efficiency
R1386104080	4000K	70	700	24	16,8	2028	120	
			1050		25,2	3042	120	
R1386105080	5000K		700		16,8	2256	124	
			1050		25,2	3384	134	



# LineMAX

Dimmable 480x25mm module, 6 power LEDs, 24Vdc | R1386

## Mechanical drawing



## Accessories



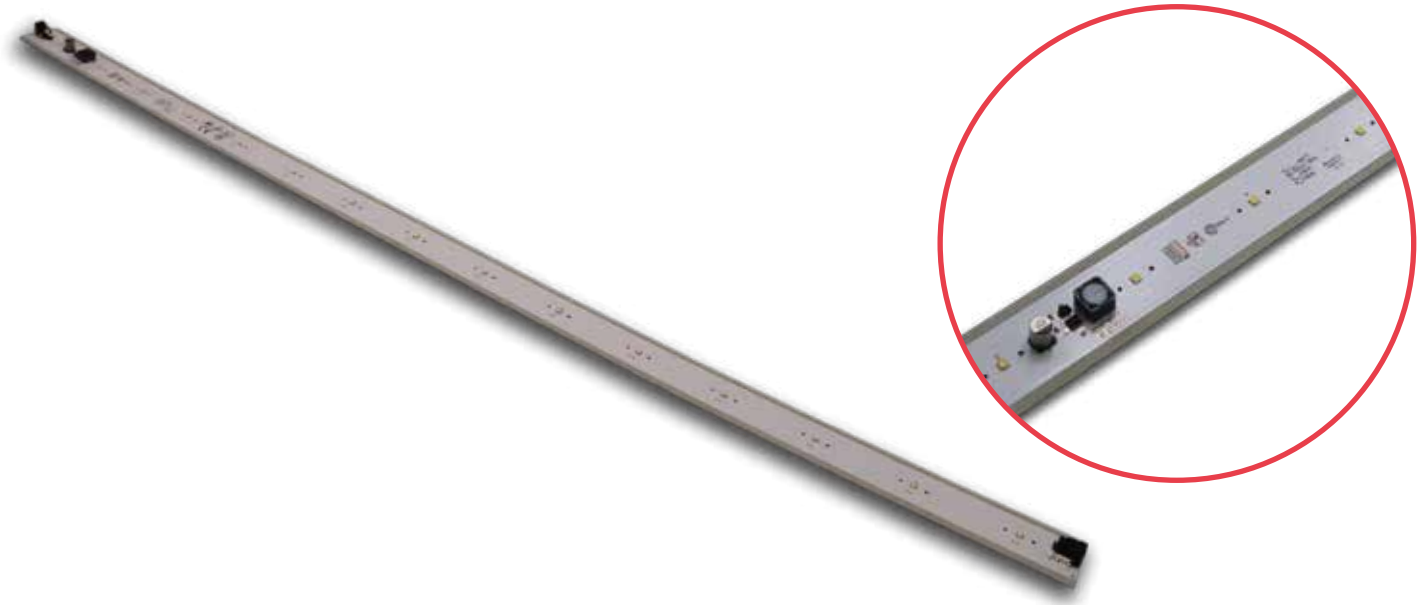
### Lenses

Part number	Beam angle
LL01CR-CAX1090L06	10° x 90°
LL01CR-CAX2590L06	25° x 90°
LL01CR-CAX3585L02	35° x 85°



# LineMAX

890x40mm module, 15 power LEDs, 48 Vdc | R1629



## Features

- PCB dimension: 890x40mm;
- Up to 6000 lm;
- Up to 145 lm/W;
- CRI 80;
- Max Electrical Insulation 250V, Max 2 LED boards in parallel;
- Connection type: Power Jack 2,35mm;
- Lifetime >60000h @ 1000mA;
- Driver 60V 1,5A on board.

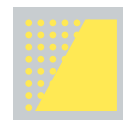
## Applications



Indoor



Commercial



Backlight



Wall Washer

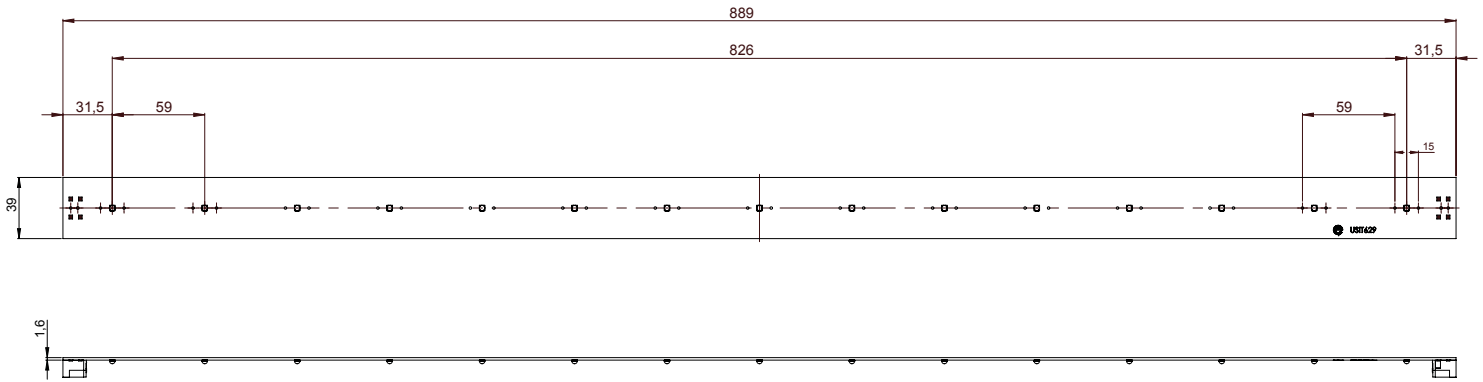
Code	CCT	CRI	Current [mA]	Voltage [V]	Power [W]	Total Lumen [lm]	lm/W	Energy Efficiency
R1629016580	6500K	80	350	48	16,8	2400	143	
			700		33,6	4560	135	
			1000		48	6000	125	



# LineMAX

890x40mm module, 15 power LEDs, 48 Vdc | R1629

## Mechanical drawing



## Accessories



## Lenses

Part number	Beam angle
LL01CR-CRI1055L02-M2	10° x 55°
LL01ZZ-EX10L06-Mx	10°
LL01ZZ-EX15L06-Mx	15°
LL01ZZ-EX25L06-Mx	25°
LL01ZZ-EX40L06-Mx	40°
LL01ZZ-EX60L06-Mx	60°
LL01ZZ-EX110L06-Mx	110°
LL01ZZ-EX3065L06-Mx	30° x 65°
LL01ZZ-EX3085L06-Mx	30° x 85°

# LineMAX

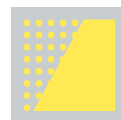
433x18mm module, 6 LEDs for backlighting | R1505



## Features

- PCB dimension: 433x18mm;
- Other lengths available in the table below;
- Up to 504 lm;
- Up to 109 lm/W;
- CRI 80;
- All CCT available on request;
- Max Electrical Insulation 250V,  
Max 20 LED boards in parallel;
- Connection type: WAGO 2060 Series 1 way,  
AVX IDC contact 1 way;
- Lifetime >60000h.

## Applications



Backlight

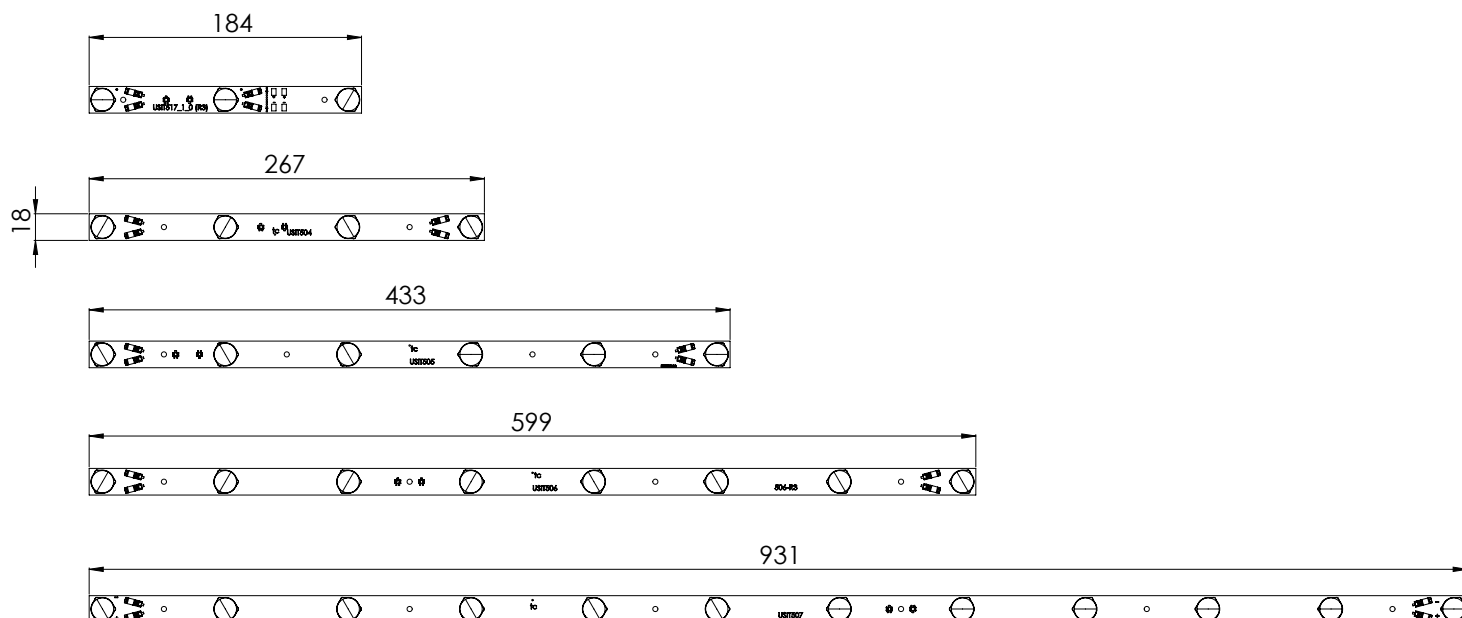
Code	Dimension	CCT	CRI	Current [mA]	Voltage [V]	Power [W]	Total Lumen [lm]	lm/W	Energy Efficiency
R1517116580	184x18mm	6500 K	80	96	24	2,3	252	109	
R1504116580	267x18mm			128	24	3,1	336		
<b>R1505116580</b>	<b>433x18mm</b>			192	24	4,6	504		
R1506116580	599x18mm			256	24	6,1	672		
R1507116580	931x18mm			384	24	9,2	1008		



# LineMAX

433x18mm module, 6 LEDs for backlighting | R1505

## Drawings



## Accessories



### Lenses

Part number	Beam angle
LLO1LT-BOP160L6	160°



### Power supply – Ultrathin series

Output	Output power (W)	100
	Output voltage (V)	24
	Working current range (A)	0 – 4,17 @ 230 V
Input	Voltage range (Vac)	220 - 240
	Efficiency	92,3 %
	Power factor	0,95
	Tc max (°C)	90
Other	Dimensions (LxWxH) (mm)	298 x 29,8 x 16,5
	Type of protection	IP20
	Protection class	Class 2

# LineMAX

131x20mm module, 5 power LEDs | R1536



## Features

- PCB dimension: 131x20mm;
- Up to 1905 lm;
- Up to 140 lm/W;
- CRI 80, 90 ;
- Max Electrical Insulation 250V, Max 14 LED boards in series;
- Connection type: AVX Poke 70-9296;
- Lifetime >60000h @ 700mA;
- Suitable for dark light applications;
- 1 power LED version available (R1757).

## Applications



Indoor



Commercial



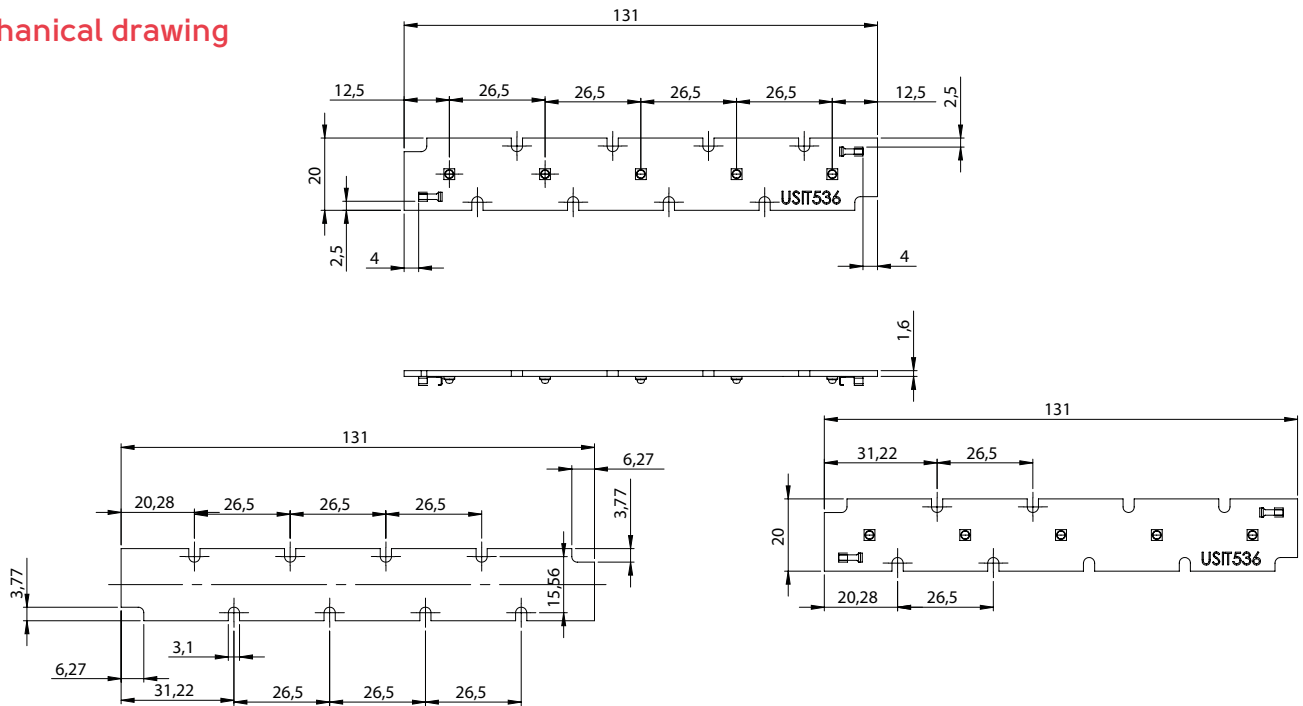
Wall Washer

Code	CCT	CRI	Current [mA]	Voltage [V]	Power [W]	Total Lumen [lm]	lm/W	Energy Efficiency
R1536002790	2700K	90	350	14,2	4,97	568	114	F A T G
			700	15	10,5	1135	108	F A T G
			1050	15,6	16,4	1702	104	F A T G
R1536003090	3000K		350	14,2	4,93	614	125	E A T G
			700	15	10,5	1137	110	F A T G
			1050	15,6	16,4	1725	105	F A T G
R1536004090	4000K		350	14,2	4,93	625	126	E A T G
			700	15	10,5	1250	119	E A T G
			1050	15,6	16,4	1875	114	F A T G
R1536005090	5000K	350	14,2	4,97	698	140	E A T G	
		700	15	10,5	1270	121	E A T G	
		1050	15,6	16,4	1905	116	F A T G	

# LineMAX

131x20mm module, 5 power LEDs | R1536

## Mechanical drawing



## Accessories



### Reflector

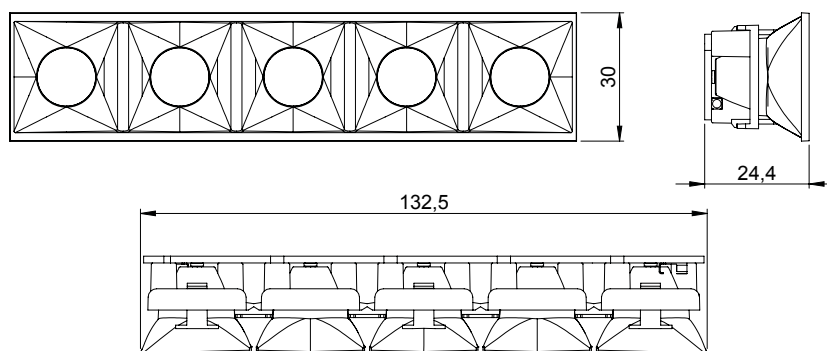
XTD-3015	15°
XTD-3030	30°
XTD-3045	45°

### Diffuser

LLGXTD30-JP3H5	Stripe shape
LLGXTD30-JP4H5	Matt diffuser
LLGXTD30-JP1H5	Clear diffuser
LLGXTD30-JP2H5	Square shape

### Shade

LLGXTD-30H5-01	Black
----------------	-------



# LineMAX

24x20mm module, 1 power LED | R1757



## Features

- PCB dimension: 24x20mm;
- Up to 460 lm;
- Up to 182 lm/W;
- Max Electrical Insulation 100V, Max 30 LED boards in series;
- Connection type: AVX Poke 2mm 70-9296;
- Lifetime >60000h @ 700mA;
- Suitable for dark light applications;
- 5 power LEDs version available (R1536).

## Applications

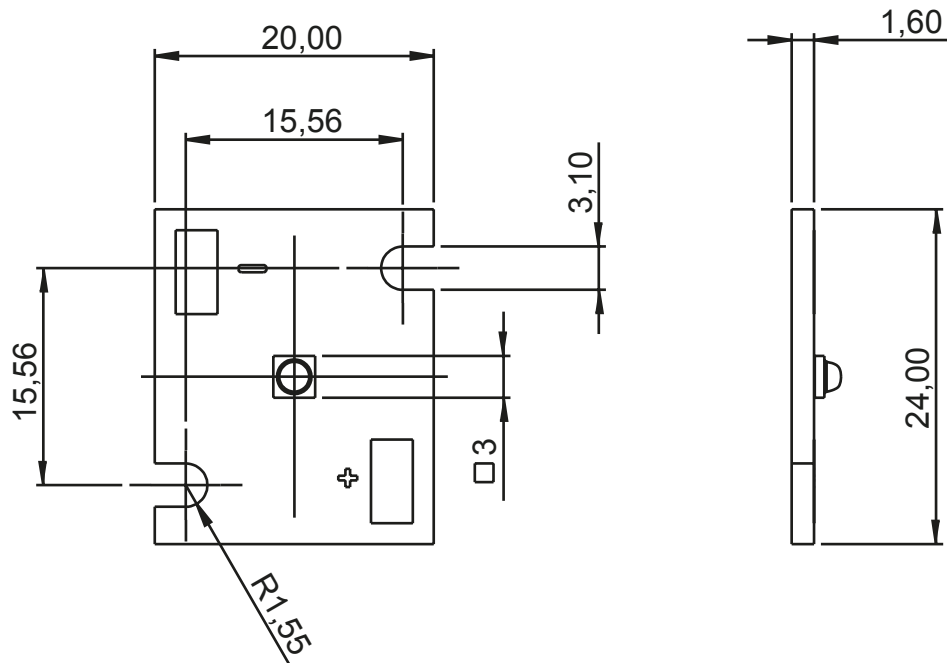


Code	CCT	CRI	Current [mA]	Voltage [V]	Power [W]	Total Lumen [lm]	lm/W	Energy Efficiency
R1757002790	2700K	90	350	2,85	0,99	170	170	D A T G
			700	3	2,1	311	148	D A T G
			1050	3,13	3,29	433	131	E A T G
R1757003090	3000K		350	2,85	0,99	176	176	C A T G
			700	3	2,1	320	152	D A T G
			1050	3,13	3,29	446	136	E A T G
R1757004090	4000K		350	2,85	0,99	181	181	C A T G
			700	3	2,1	329	157	D A T G
			1050	3,13	3,29	459	139	E A T G
R1757005090	5000K	350	2,85	0,99	181	182	C A T G	
		700	3	2,1	330	157	D A T G	
		1050	3,13	3,29	460	140	E A T G	

# LineMAX

24x20mm module, 1 power LED | R1757

## Mechanical drawing



## Accessories



### Reflector

LLGXTD3015-1H1	Linear Reflector 15° SINGLE
LLGXTD3030-1H1	Linear Reflector 30° SINGLE
LLGXTD3045-1H1	Linear Reflector 45° SINGLE

### Shade

LLGXTD-30H1-01	Black Cover Single
----------------	--------------------



# LineMAX

131x14mm module, 5 LEDs, asymmetrical beam for wall washer | R1812



## Features

- PCB dimension: 131x14mm;
- Up to 1285 lm;
- Up to 141 lm/W;
- CRI 80, 90;
- Max Electrical Insulation 250V,  
Max 14 LED boards in series;
- Connection type: AVX Poke 70-9296;
- Lifetime >60000h @ 700mA;
- Suitable for wall washer applications;

## Applications



Code	CCT	CRI	Current [mA]	Voltage [V]	Power [W]	Total Lumen [lm]	lm/W	Energy Efficiency
R1812002790	2700K	90	350	14,1	4,93	560	114	F A T G
			500	14,3	7,21	776	108	F A T G
			700	14,8	10,4	1038	102	F A T G
R1812003090	3000K		350	14,1	4,93	614	125	E A T G
			500	14,3	7,21	850	118	E A T G
			700	14,8	10,4	1137	110	F A T G
R1812004090	4000K		350	14,1	4,93	641	130	E A T G
			500	14,3	7,21	887	123	E A T G
			700	14,8	10,4	1186	114	F A T G
R1812005090	5000K	350	14,1	4,93	694	141	E A T G	
		500	14,3	7,21	961	133	E A T G	
		700	14,8	10,4	1285	124	E A T G	



# LineMAX

280x20mm W/TW module, 14 LEDs for Daisy-Mini lens | R1729



## Features

- PCB dimension: 280x20mm, suitable for LEDiL Daisy-Mini lens;
- Up to 1050 lm;
- Up to 162 lm/W;
- CCT TW 2700+5700K;
- CRI 80, 90, 98;
- CV 24V version available;
- Max Electrical Insulation 250V, Max 5 LED boards in parallel;
- Connection type: 2059;
- Lifetime >60000h @ 300mA L70B10;
- Available in White single CCT.

## Applications

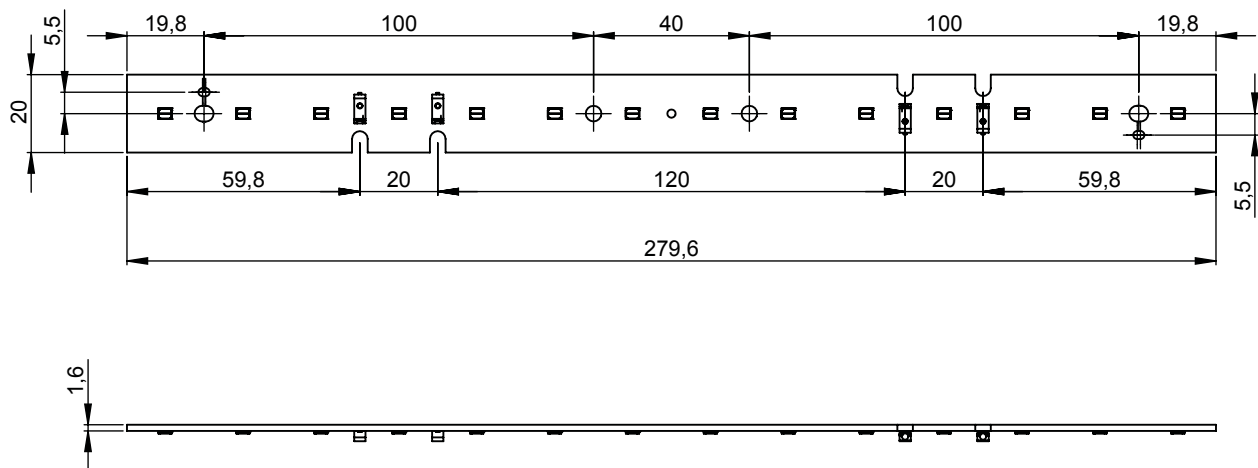


Code	CCT	CRI	Current [mA]	Voltage [V]	Power [W]	Total Lumen [lm]	lm/W	Energy Efficiency
R172911WWCW	2700K	80	240	21,7	5,30	630	119	
	5700K		240	21,7	5,30	700	132	
R1729113080	3000K	80	300	21,5	6,45	930	144	
R1729114080	4000K		300	21,5	6,45	1050	162	
R1729113090	3000K	90	300	21,5	6,45	785	120	
R1729114090	4000K		300	21,5	6,45	850	130	

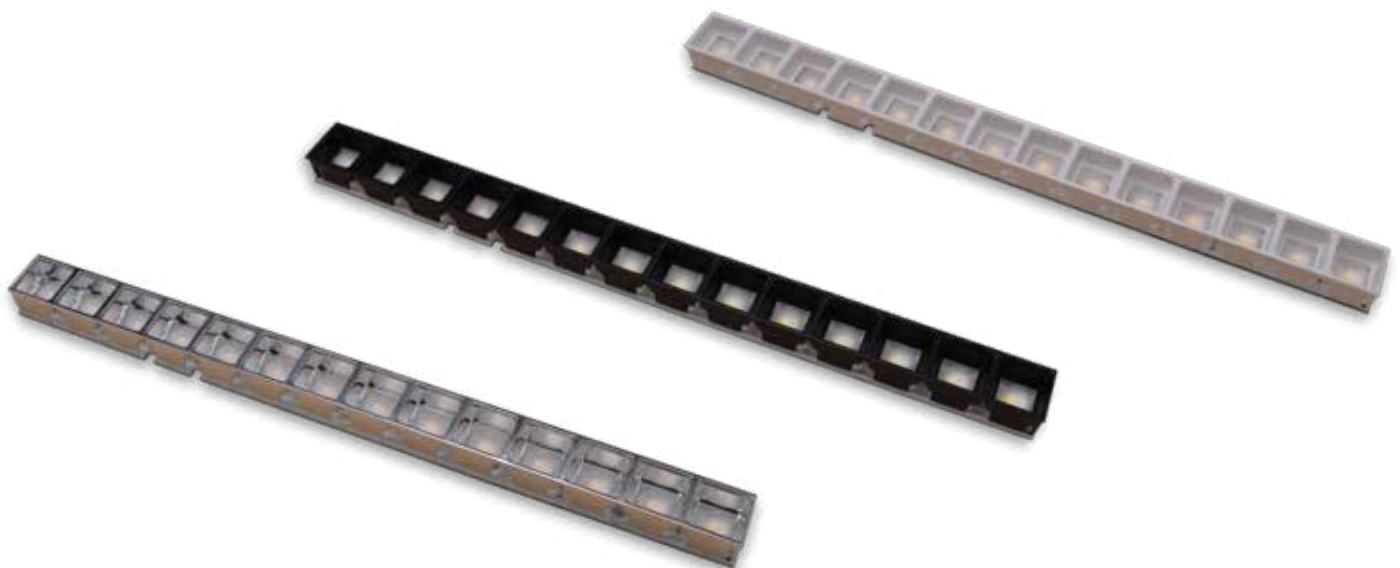
# LineMAX

280x20mm W/TW module, 14 LEDs for Daisy-Mini lens | R1729

## Mechanical drawing



## Accessories



# LineMAX

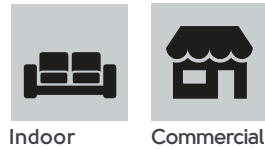
280x24mm W/TW module, 28 LEDs for Daisy lens | R1886



## Features

- PCB dimension: 280x24mm, suitable for LEDiL Daisy lens;
- Up to 2078 lm;
- Up to 187 lm/W;
- CRI 80, 90;
- Max Electrical Insulation 250V, Max 5 LED boards in series;
- Connection type: AVX 709296 2,5mm;
- Lifetime >72000h @ 200mA;
- Suitable for dark light applications;
- Wall washer version available (code: R1914).

## Applications



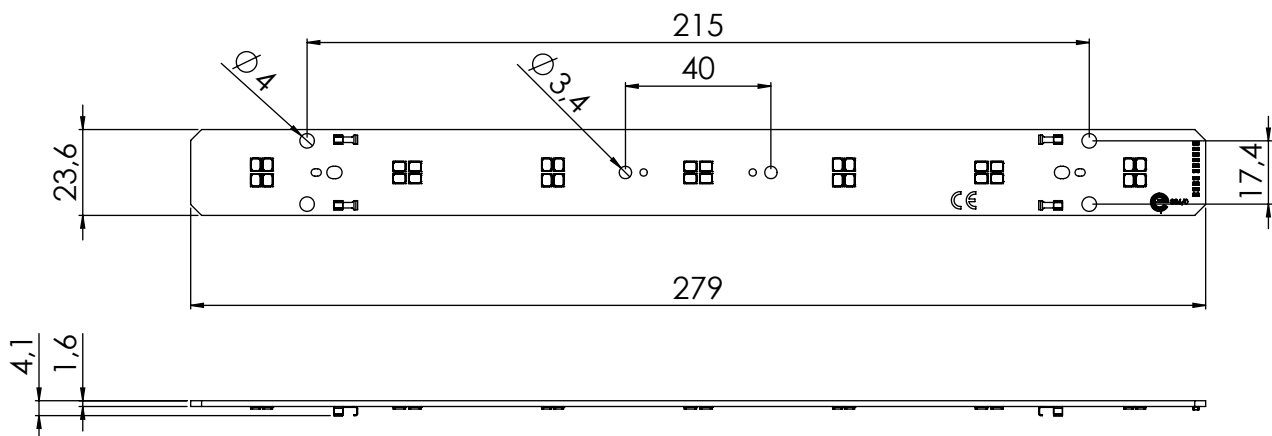
Code	CCT	CRI	Current [mA]	Voltage [V]	Power [W]	Total Lumen* [lm]	lm/W	Energy Efficiency
R1886113080	3000K	80	200	19,5	3,9	728	187	
			300	20,1	8,06	1428	177	
			600	20,4	12,3	2078	169	
R1886113090	3000K	90	200	19,6	3,92	672	171	
			400	19,95	7,98	1344	168	
			600	20,3	12,18	1988	163	
R188611TW90	2700K		200	20,1	4,03	588	146	
	6500K		200	20,1	4,03	663	165	



# LineMAX

280x24mm W/TW module, 28 LEDs for Daisy lens | R1886

## Mechanical drawing



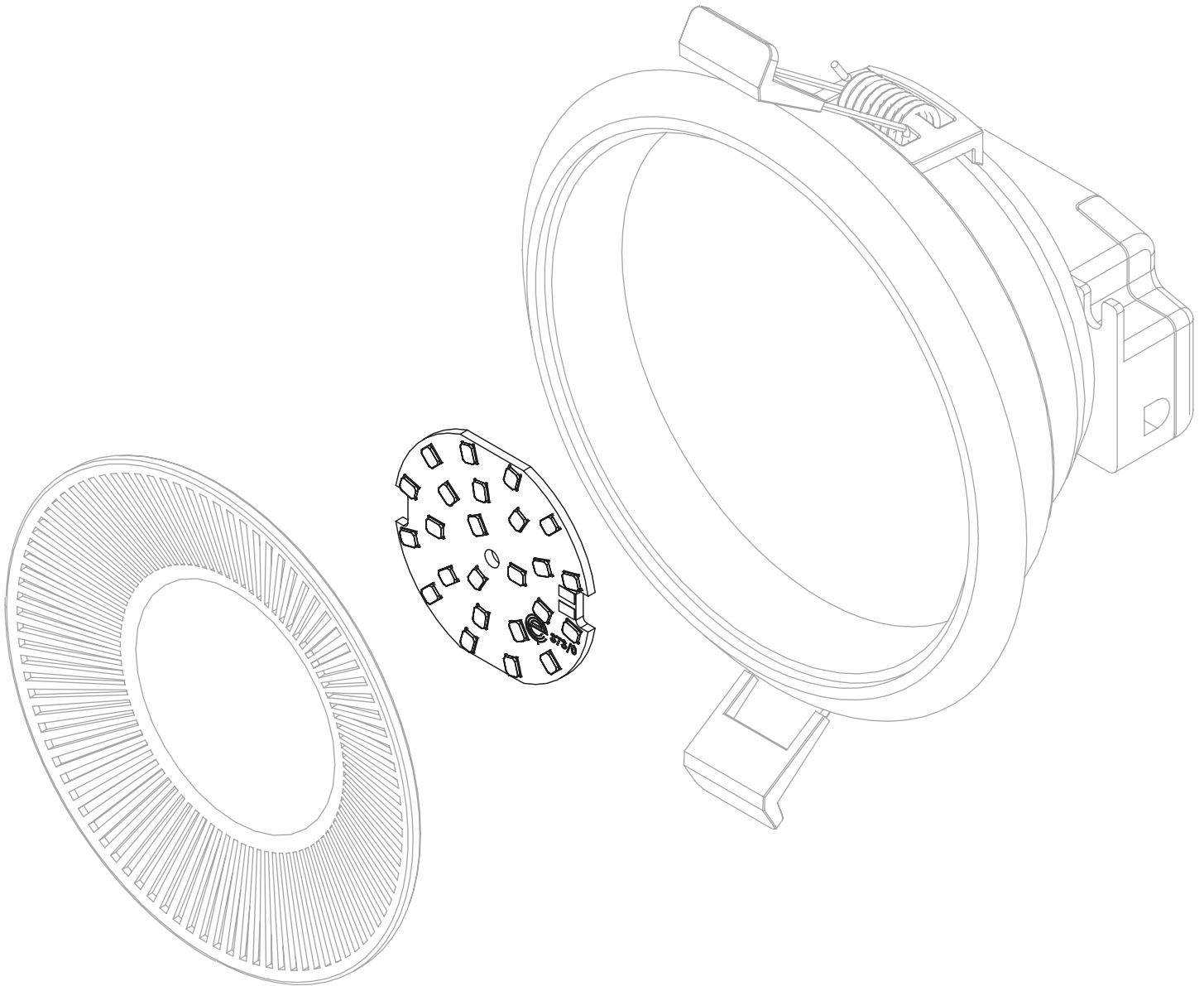
## Accessories





# DecoMAX

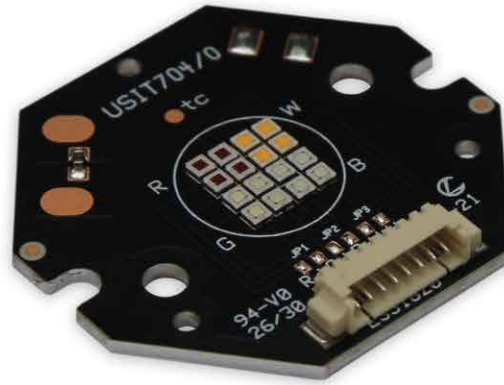
Decorative lighting solutions





# DecoMAX

4x4 RGBW power led module | R2704



## Features

- PCB dimension: 39x36mm;
- Up to 1960 lm;
- Up to 67 lm/W;
- CRI 80, 90;
- Max Electrical Insulation 250V;
- Connection type: Molex 53261 Picoblade 8 way;
- Lifetime >60000h @ 350mA;
- NTC available on request;
- White and Dynamic White available on request.

## Applications



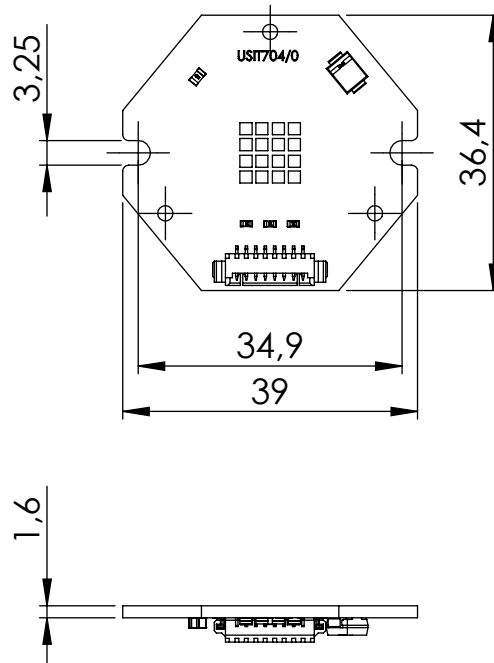
Code	CCT	CRI	Current [mA]	Voltage [V]					Power [W]	Total Lumen [lm]					lm/W	Energy Efficiency
				R	G	B	W	Tot		R	G	B	W	Tot		
R270400RGBW	RGBW + 3000K	80	500	9,15	11,8	11,7	11,7	44,75	22,4	249	426	164	563	1402	63	
			700	9,6	12,1	12,5	12,1	46,3	32,4	334	520	211	727	1792	56	
	RGBW + 4000K		500	9,15	11,8	11,7	11,7	44,75	22,4	249	426	164	642	1481	66	
			700	9,6	12,1	12,5	12,1	46,3	32,4	334	520	211	829	1849	59	
	RGBW + 5000K		500	9,15	11,8	11,7	11,7	44,75	22,4	216	426	164	684	1490	67	
			700	9,6	12,1	12,5	12,1	46,3	32,4	346	520	211	883	1960	61	



# DecoMAX

4x4 RGBW power led module | R2704

## Mechanical drawing



## Accessories



### Lenses

Part number	Beam angle
LL01CR-PV45L02	45°
LL01CR-PV60L02	60°
LL01CR-PV80L02	80°

# DecoMAX

RGBW power led star | R2293



## Features

- PCB diameter: 20mm;
- Up to 530 lm;
- Up to 71 lm/W;
- CRI 70 available on request;
- Max Electrical Insulation 250V;
- Lifetime >50000h @ 350mA;
- White and Dynamic White available on request.

## Applications



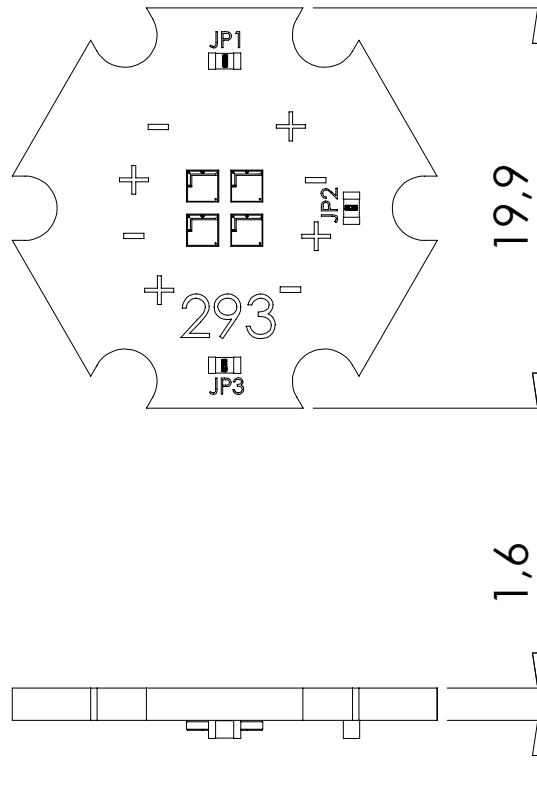
Code	CCT	CRI	Current [mA]	Voltage [V]					Power [W]	Total Lumen [lm]					lm/W	Energy Efficiency
				R	G	B	W	Tot		R	G	B	W	Tot		
R229301RGBW	RGBW + 3000K	80	500	2,3	3,3	3,2	2,95	11,75	5,88	66	117	45	137	365	62	
			700	2,4	3,4	3,3	3,05	12,15	8,5	69	142	61	184	476	56	
	RGBW + 4000K		500	2,3	3,3	3,2	2,95	11,75	5,88	66	117	45	167	395	67	
			700	2,4	3,4	3,3	3,05	12,15	8,5	69	142	61	208	500	59	
	RGBW + 5000K		500	2,3	3,3	3,2	2,95	11,75	5,88	66	117	45	190	418	71	
			700	2,4	3,4	3,3	3,05	12,15	8,5	69	142	61	238	530	62	



# DecoMAX

RGBW power led star | R2293

## Mechanical drawing



## Accessories

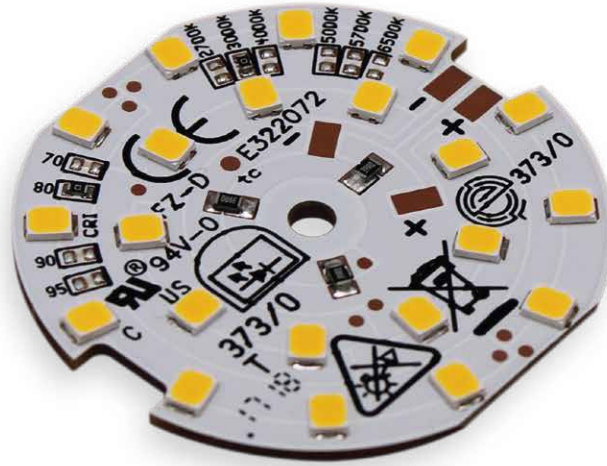


### Lenses

Part number	Beam angle
LL01ED-AFD15L06	15°
LL01ED-AFD20L06	20°
LL01ED-AK25L06	25°
LL01ED-AK40L06	40°
LL01CR-ANW10L06	10°
LL01CR-ANW20L06	20°
LL01CR-ANW30L06	30°
LL01CR-BJH10L06	10°
LL01CR-BJH30L06	30°

# DecoMAX

21 mid-power led module, 24Vdc | R2373



## Features

- PCB dimension: 43x42mm;
- Up to 1285 lm;
- Up to 153 lm/W;
- CRI 70, 80, 90;
- Max Electrical Insulation 250V;
- Lifetime >60000h @ 350mA;
- 24 LEDs CC version available on request;
- New version is coming soon.

## Applications



Indoor



Commercial



Decorative



Architectural

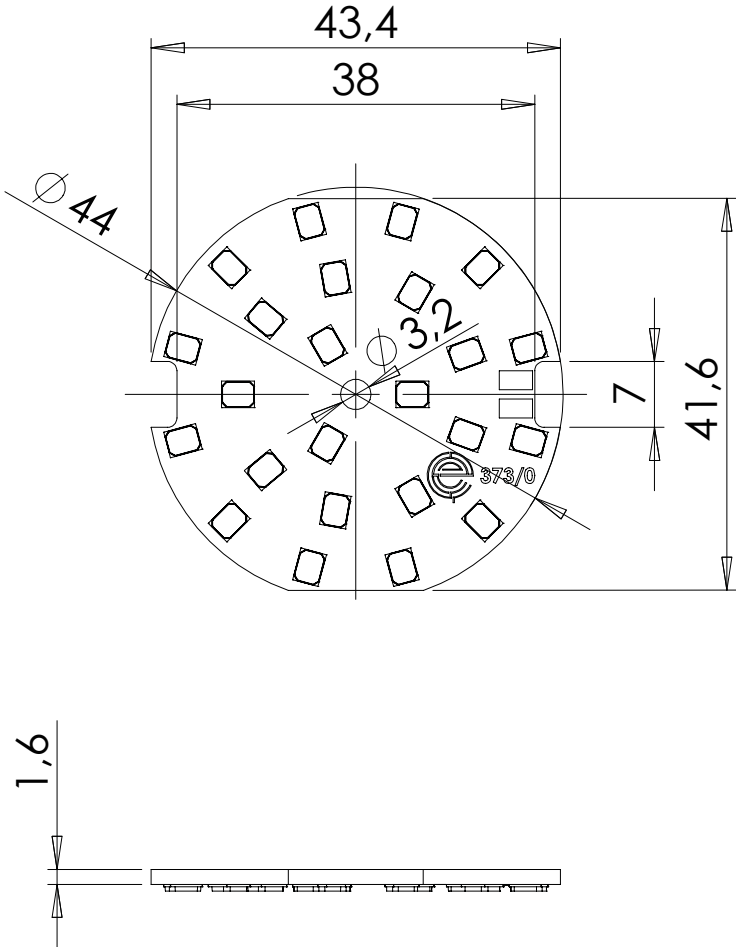
Code	CCT	CRI	Current [mA]	Voltage [V]	Power [W]	Total Lumen [lm]	lm/W	Energy Efficiency
R2373113080	3000K	80	350	24	8,4	1142	136	E A+ G
R2373114080	4000K					1214	145	E A+ G
R2373115080	5000K					1285	153	D A+ G



# DecoMAX

21 mid-power led module, 24Vdc | R2373

## Mechanical drawing



# DecoMAX

Solderless strip, 80 LED/m, 8 W/m, CRI 90



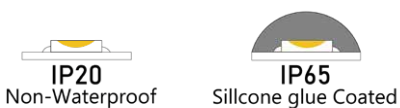
## Features

- Available CCT: 2700K, 3000K, 4000K, 6500K;
- CRI 90;
- 80 LED/m;
- PCB 8mm (10mm on request);
- PCB without soldering points for a better reliability;
- Up to 132 lm/W;
- Lifetime >50000h @ L80 Tc<70°C;
- IP20 – IP65.

## Applications



## Waterproof Rate



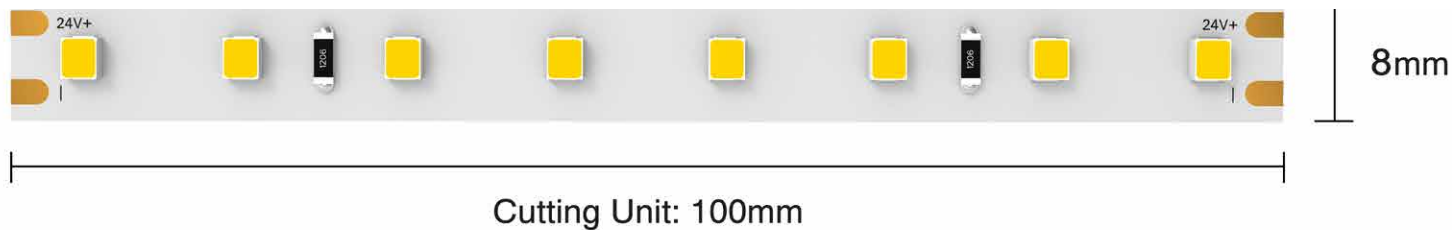
Code	CCT	CRI	Current [A/m]	Voltage [V]	Power [W/m]	Total Lumen [lm/m]	lm/W	Energy Efficiency
U292708BH205NS IP20 U292708BH205TS IP65	2700K	90	0,5	24	8	1000	125	F A T G
U293008BH205NS P20 U293008BH205TS IP65	3000K					1016	127	F A T G
U294008BH205NS IP20 U294008BH205TS IP65	4000K					1040	130	F A T G
U296508BH205NS IP20 U296508BH205TS IP65	6500K					1056	132	F A T G



# DecoMAX

Solderless strip, 80 LED/m, 8 W/m, CRI 90

## Drawing



## Accessories



### Remote Controller Option

Remote controller touch	D-SR2828
LED dimmer IX8A 12-36VDC	D-SR2501NS



# DecoMAX

Solderless strip, 140 LED/m, 12 W/m, CRI 90



## Features

- Available CCT: 2700K, 3000K, 4000K, 6500K;
- CRI 90;
- 140 LED/m;
- PCB 8mm (10mm on request);
- PCB without soldering points for a better reliability;
- Up to 115 lm/W;
- Lifetime >50000h @ L80 Tc<70°C;
- IP20 – IP65.

## Applications



Indoor



Commercial



Decorative



Architectural

## Waterproof Rate



**IP20**  
Non-Waterproof



**IP65**  
Silicone glue Coated

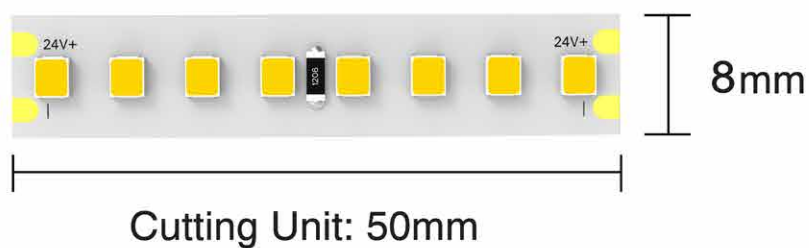
Code	CCT	CRI	Current [A/m]	Voltage [V]	Power [W/m]	Total Lumen [lm/m]	lm/W	Energy Efficiency
U292712BC205NS IP20 U292712BC205TS IP65	2700K	90	0,5	24	12	1296	108	
U293012BC205NS IP20 U293012BC205TS IP65	3000K					1320	110	
U294012BC205NS IP20 U294012BC205TS IP65	4000K					1356	113	
U296512BC205NS IP20 U296512BC205TS IP65	6500K					1380	115	



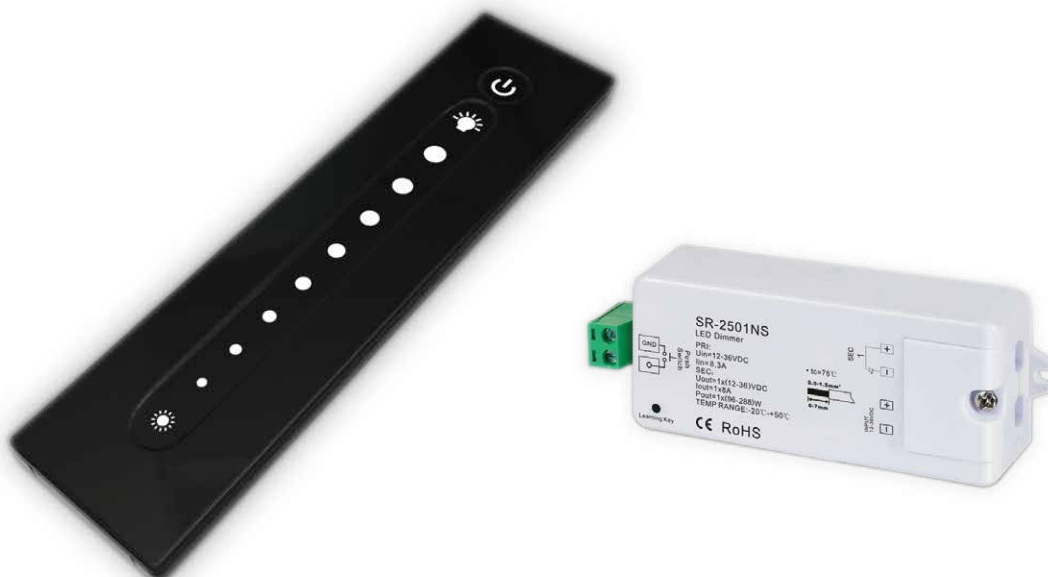
# DecoMAX

Solderless strip, 140 LED/m, 12 W/m, CRI 90

## Drawing



## Accessories



### Remote Controller Option

Remote controller touch	D-SR2828
LED dimmer 1X8A 12-36VDC	D-SR2501NS

# DecoMAX

Tunable white strip, 224 LED/m, 19 W/m, CRI 90



## Features

- CCT: 2700K - 6500K;
- CRI 90;
- 244 LED/m (112 Warm White + 112 Cold White);
- PCB 8mm;
- Up to 107 lm/W;
- Long life >50000h @ L80 Tc<70°C;
- IP20 (others on request);
- Customizable length, wattage and LED/m density on request.

## Applications



Indoor



Commercial

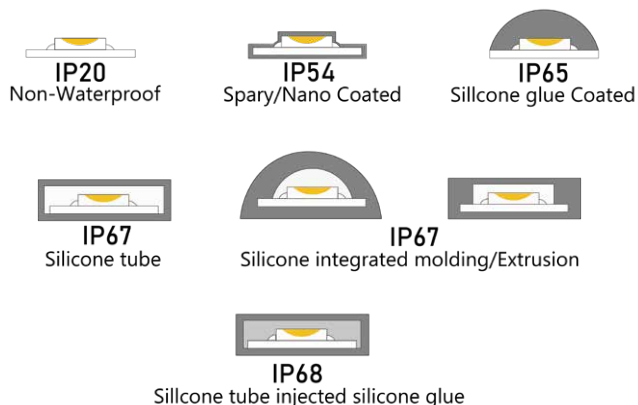


Decorative



Architectural

## Waterproof Rate



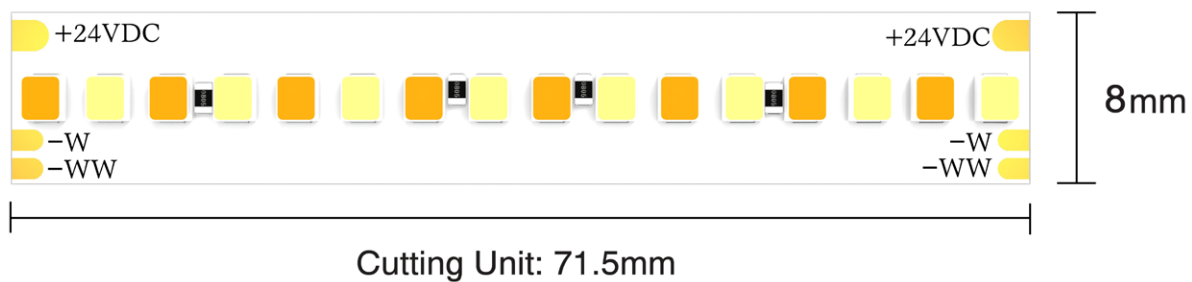
Code	CCT	CRI	Current [A/mt]	Voltage [V]	Power [W/m]	Total Lumen [lm/m]	lm/W	Energy Efficiency
U29TNI9BZ250N0	2700K	90	0,8	24	19,2	901	94	F A T G
	6500K					1026	107	F A T G



# DecoMAX

Tunable white strip, 224 LED/m, 19 W/m, CRI 90

## Drawing



# DecoMAX

High density strip, 240 LED/m, 20 W/m, CRI 90



## Features

- CCT: 2700K, 3000K, 4000K, 6500K;
- CRI 90;
- 240 LED/m;
- PCB 8mm (10mm on request);
- Up to 135 lm/W;
- Long life >50.000h @ L80 Tc<80°C;
- IP20 – IP65;
- Customizable length, wattage and LED/m density on request.

## Applications



Indoor



Commercial



Decorative



Architectural

## Waterproof Rate



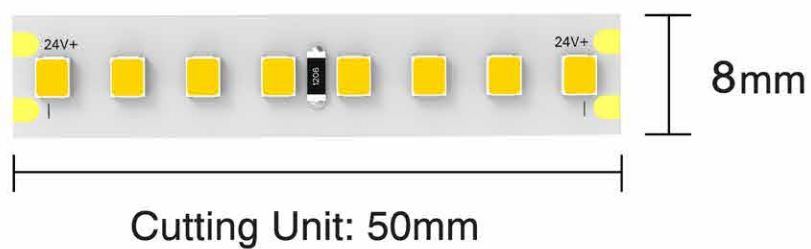
Code	CCT	CRI	Current [A/m]	Voltage [V]	Power [W/m]	Total Lumen [lm/m]	lm/W	Energy Efficiency
U292720BO250N0 IP20 U292720BO250T0 IP65	2700K	90	0,9	24	20	2550	118	F A T G
U293020BO250N0 IP20 U293020BO250T0 IP65	3000K					2650	123	E A T G
U294020BO250N0 IP20 U294020BO250T0 IP65	4000K					2835	131	E A T G
U296520BO250N0 IP20 U296520BO250T0 IP65	6500K					2880	133	E A T G



# DecoMAX

High density strip, 240 LED/m, 20 W/m, CRI 90

## Drawing



## Accessories



### Remote Controller Option

Remote controller touch	D-SR2828
LED dimmer 1X8A 12-36VDC	D-SR2501NS



# DecoMAX

Flexible LED tube with 360° light output

## Product performance

- Professional structure design, uniform light emission, no light spot, soft light, good colour temperature consistency.
- Using food grade silicone material, resistant to yellowing, high and low temperature, suitable for both indoor and outdoor.
- Corrosion resistance, weak acid and alkali resistance. It can be used in extremely harsh environments.
- Good waterproof performance, waterproof grade IP67.
- Good flexibility, resistant to folding and tension, easy to shape and to ship.
- With anti-bending and anti-tensile plate, good anti-bending and anti-tensile performance.
- Extruded and formed at one time, solid and reliable.

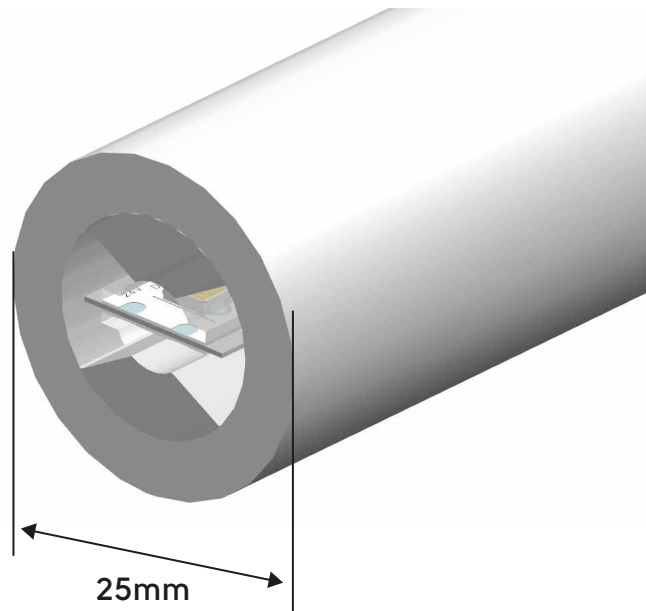
Features	
Material	Silicone
PCB (mm)	10mm (8mm available)
Voltage (V)	24V (12V available)
Power	20W/m
Temperature (K)	From 2000K to 6500K ( $\pm 300$ K)
	Red, Green or Blue
	RGB
	RGBW
	Tunable White
LEDs number	160 LED/m (based on the diameter)
Lumen (lm)	1920 lm (nominal)
Efficiency (lm/W)	96 lm/W
RA	80+/90+
Diameter	25mm (16/18/22mm available on request)
Work temperature (°C)	-20~50°C
Waterproof (IP)	IP67
Fire-proof	V1
Impact level	Shatter resistance IK04
Warranty	5 years



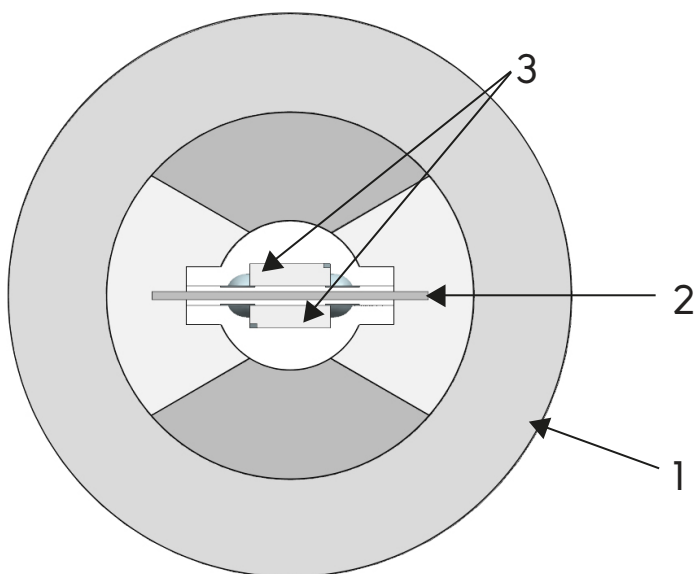
# DecoMAX

Flexible LED tube with 360° light output

## Standard size



## Product structure





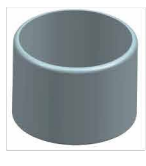







- 1- Luminous surface
- 2- Flexural and tensile resistant plate
- 3- Double LED strip

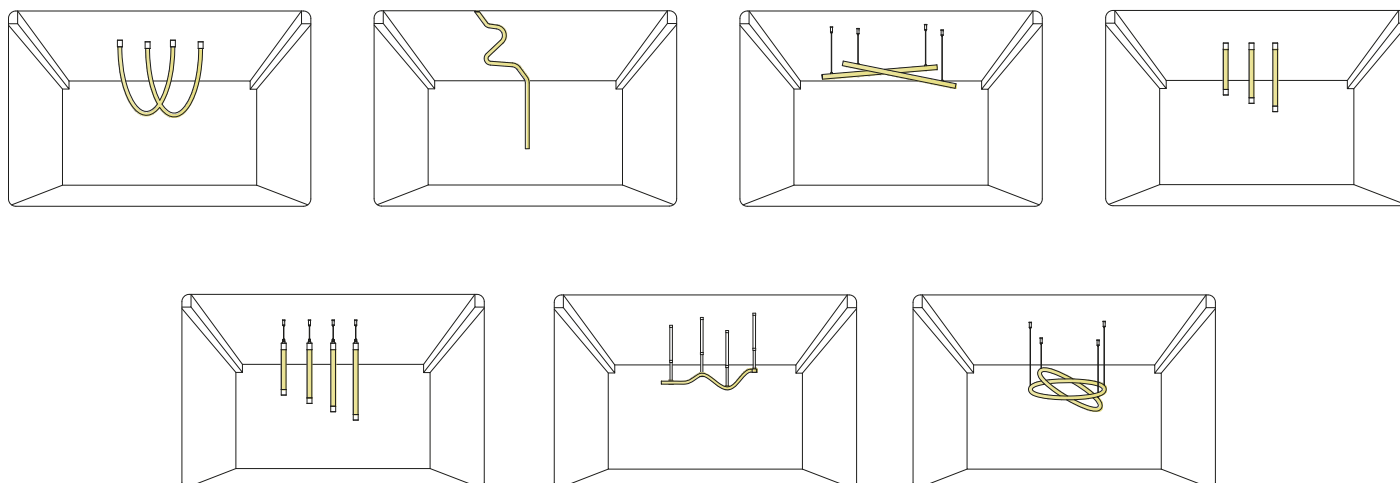
# DecoMAX

Flexible LED tube with 360° light output

## Installation accessories

				
Silicone end cap with horizontal direction	Silicone end cap without line	Silicone end cap with lateral direction	Aluminum ally end cap with horizontal direction	Aluminum ally end cap without line
				
Trasparent PC fixed clip (L:3cm)	Stainless stelling	End cap with horizontal direction	End cap without line	Trasparent PC fixed clip (L:1m)

## Possible applications



# DecoMAX

## Furniture Profiles

### Product description

- Led strip width: 12mm;
- Aluminum profile;
- Power: 20W/mt MAX;
- Also available in WHITE/BLACK/INOX.

### Furniture Profiles

Type	Dimension	Color	2,02 mt	3,00 mt	Caps	Clip
 <b>A</b>	WxH 16 x 9,28mm	silver anodized	HSP-A2-S	HSP-A3-S	HSEA-A-SZ HSEA-A-O-SZ	HSMB-A-TR
 <b>B</b>	WxH 16 x 9,30mm	silver anodized	HSP-B2-S	HSP-B3-S	HSEA-B-O-SZ	NA
 <b>C</b>	WxH 23,30 x 11,80mm	silver anodized	HSP-C2-S	HSP-C3-S	HSEA-C-SZ HSEA-C-O-SZ	HSMB-C-TR
 <b>D</b>	WxH 16 x 6,30mm	silver anodized	HSP-D2-S	HSP-D3-S	HSEA-D-SZ HSEA-D-O-SZ	HSMB-D-TR
 <b>G</b>	WxH 17 X 18mm	silver anodized	HSP-G2-S	HSP-G3-S	HSEA-G-O-SZ	NA
 <b>COSMO</b>	Ø25mm	silver anodized	HSP-COS2-S	HSP-COS3-S	HSEA-COS-SZ	HSMB-COS- MET
 <b>COSMO</b>			HSP-MICOS-S		HSEA-COS-O-SZ	
 <b>X</b>	WxH 12 x 8mm	silver anodized	HSP-X2-S	HSP-X3-S	HSEA-X-SZ HSEA-X-O-SZ	HSMB-X-TR
 <b>HS US100</b>	WxH 19,4 x 15,5mm	silver anodized	HS-US100	NA	HS-CAP-1000-LA HS-CAP-1001-LA	HS-CLIP-100

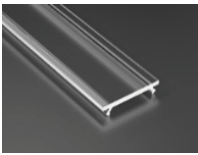
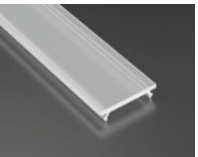
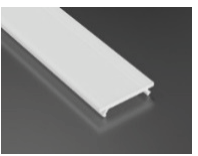
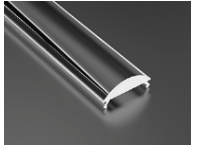
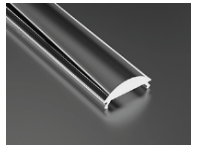
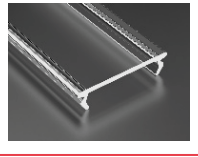
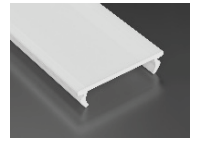
# DecoMAX

## Furniture Profiles

### Product description

- PMMA Covers;
- Suitable for profiles A,B,C,D,G,COSMO,RETO,X;
- UV resistant.

### Cover Basic PMMA

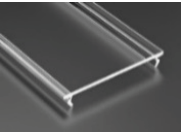
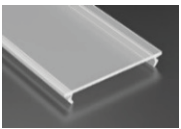
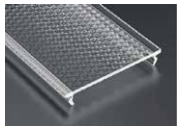
Image	Colour	2,02 mt	3 mt
	PMMA Cover transparent for profiles A,B,C,D,G,COSMO,RETO	HSC-K2020PMT	HSC-K3000PMT
	PMMA Cover transparent for profile X	HSC-SC2020PMT	HSC-SC3000PMT
	PMMA Cover frozen for profiles A,B,C,D,G,COSMO,RETO	HSC-K2020PMMR	HSC-K3000PMMR
	PMMA Cover frozen for profile X	HSC-SC2020PMMR	HSC-SC3000PMMR
	PMMA Cover milky for profiles A,B,C,D,G,COSMO,RETO	HSC-K2020PMML	HSC-K3000PMML
	PMMA Cover milky for profile X	HSC-SC2020PMML	HSC-SC3000PMML
	PMMA Cover transparent LENS 15 for profiles A,B,C,D,G,COSMO,RETO	HSC-K202015PMT	HSC-K300015PMT
	PMMA Cover transparent LENS 15 for profile X	HSC-SC202015PMT	HSC-SC300015PMT
	PMMA Cover transparent LENS 30 for profiles A,B,C,D,G,COSMO,RETO	SC-K202030PMT	HSC-K300030PMT
	PC Transparent diffuser for profile HS-US100	HS-TRAN-US100	NA
	PC Opal diffuser for profile HS-US100	HS-OPAL-US100	NA



# DecoMAX

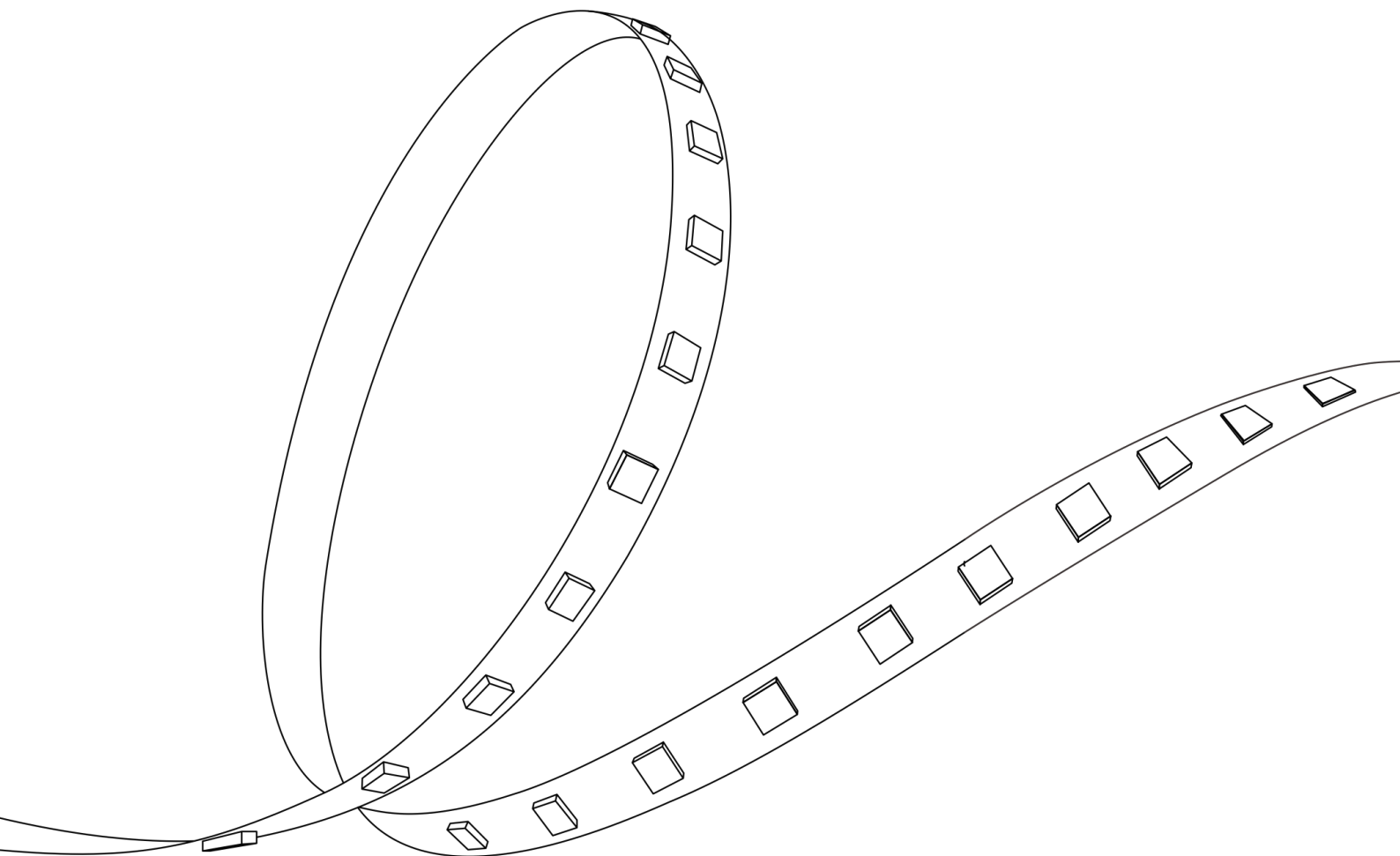
## Furniture Profiles

Architectural Profiles						
Type	Dimension	Color	2,02 mt	3,00 mt	Caps	Clip
 TERRA	WxH 20,01 x 9mm	silver anodized	HSP- TERRA2-S	HSP- TERRA3-S	HSEA-TER-SZ	NA
					HSEA-TER-O-SZ	
 ILEDO	WxH 43 x 30 mm	silver anodized	HSP- ILEDO2-S	HSP- ILEDO3-S	HSEA-IL-SZ	SPRING
					HSEA-IL-O-SZ	
 INSO	WxH 51 x 43mm (groove mounted profile)	silver anodized	HSP-INSO2- S	HSP- INSO3-S	HSEA-IN-SZ	SPRING

Cover Basic PMMA			
Image	Colour	2,02 mt	3 mt
	PMMA Cover transparent for profiles ILEDO, INSO	HSP-W-K2020PMR	HSP-W-K3000PMR
	PMMA Cover frozen for profiles ILEDO, INSO	HSP-W-K2020PMR	HSP-W-K3000PMR
	PMMA Cover milky for profiles ILEDO, INSO	HSP-W-K2020PML	HSP-W-K3000PML
	PC prismatic Cover for profiles ILEDO, INSO	HSP-W-K2020PRI	HSP-W-K3000PRI
	PC Cover for profiles TERRA	HSP-T-K2020-ML	HSP-T-K3000-ML



# DecoMAX



## PRODUCT NOMENCLATURE - LED STRIP

**U 2 8 30 14 B H 2 50 N 0**



Led type

CRI

CCT

W

PCB

LED/MT

V

Lenght

IP

Rev

### LED TYPE

2 2835  
3 3535  
5 5050  
1 3014

### CRI

8 80  
7 70  
9 90  
0 RGB

### PCB

A 5mm  
B 8mm  
C 10mm  
D 12mm

### LED/MT

H 80/mt  
V 128/mt  
C 140/mt  
M 160/mt  
O 240/mt

### VOLTAGE (V)

1 12 volt  
2 24 volt

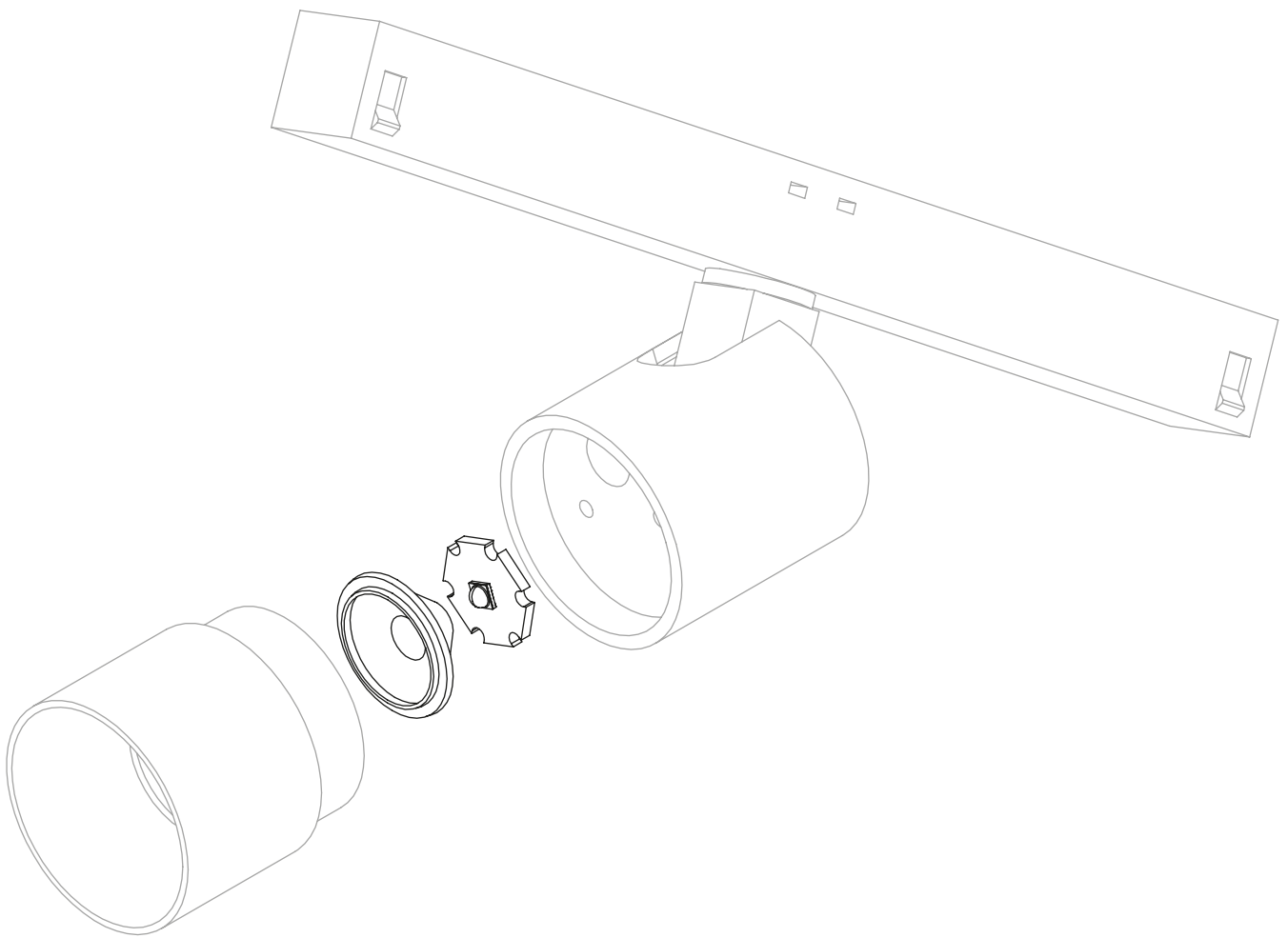
### IP

N IP20  
S IP44  
T IP65



# DotMAX

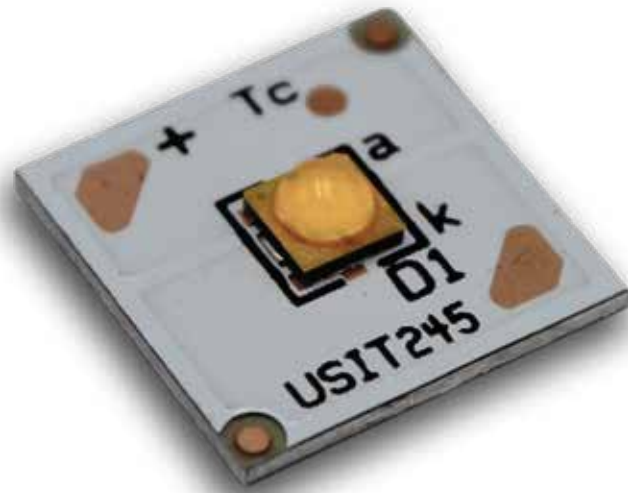
Spot lighting solutions





# DotMAX

3535 footprint spot module, CXA 13xx compatible | R3245



## Features

- PCB dimension: 13,35x13,35mm;
- Up to 350 lm;
- Up to 207 lm/W;
- CRI 70, 80, 90;
- Max Electrical Insulation 250V;
- Lifetime >60000h @ 500mA;
- LED options: Nichia 319, CREE XPG3/XHP35/XPL.

## Applications



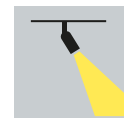
Commercial



Downlight



Office



Spotlight

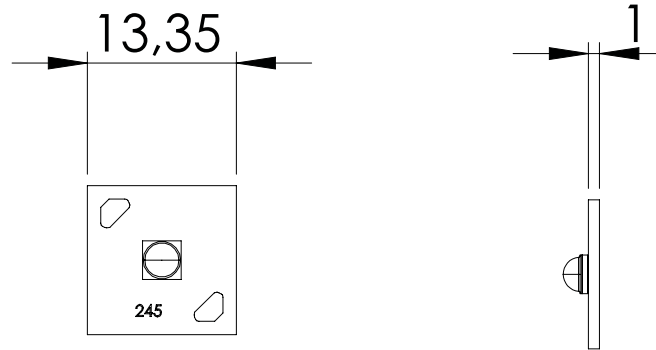
Code	CCT	CRI	Current [mA]	Voltage [V]	Power [W]	Total Lumen [lm]	lm/W	Energy Efficiency
R3245013070	3000K	70	350	2,62	0,92	170	185	
			700	2,75	1,93	310	161	
R3245014070	4000K		350	2,62	0,92	170	185	
			700	2,75	1,93	310	161	
R3245015070	5000K		350	2,66	0,93	192	207	
			700	2,8	1,96	350	179	



# DotMAX

3535 footprint spot module, CXA 13xx compatible | R3245

## Mechanical drawing



## Accessories



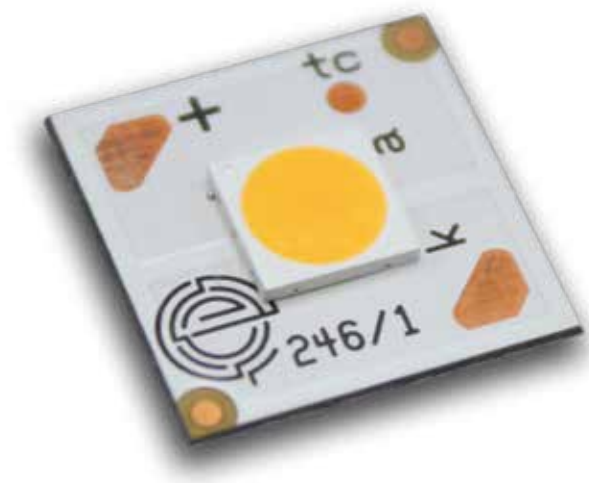
## Lenses

Part number	Beam angle	Size	Holder
LL01CR-CHQ24L02	24°	35mm	LL01A00CWFB2
LL01CR-CHQ38L02	38°	35mm	
LL01CR-CHQ45L02	45°	35mm	
LL01CR-CEW12L52	12°	50mm	LL01A00CWFB2
LL01CR-CEW24L52	24°	50mm	
LL01CR-CEW38L52	38°	50mm	
LL01CR-CEW45L52	45°	50mm	
LL01CR-CEW60L52	60°	50mm	
LL01CR-CEW2731L52	27° x 31°	50mm	
LL01CR-CEW3662L52	36° x 62°	50mm	
LL01CR-CEW3864L52	38° x 64°	50mm	

# DotMAX



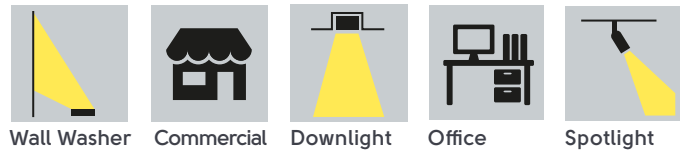
5050 footprint spot module, CXA 13xx compatible | R3246



## Features

- PCB dimension: 13,35x13,35mm;
- Up to 622 lm;
- Up to 152 lm/W;
- CRI 70, 80, 90;
- Max Electrical Insulation 250V;
- Lifetime >60000h @ 500mA.

## Applications



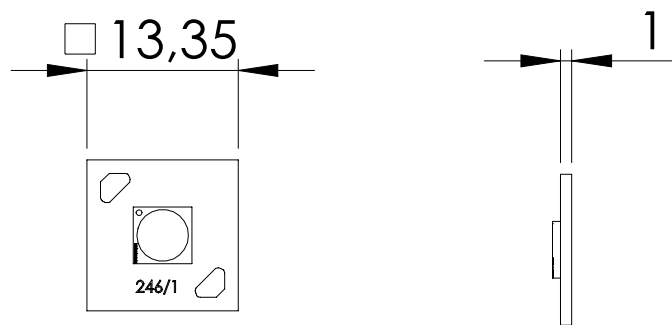
Code	CCT	CRI	Current [mA]	Voltage [V]	Power [W]	Total Lumen [lm]	lm/W	Energy Efficiency
R3246013070	3000K	70	350	5,72	2	332	166	
			700	6,17	4,32	622	144	
R3246014070	4000K		350	5,72	2	303	152	
			700	6,17	4,32	568	131	
R3246015070	5000K		350	5,72	2	303	152	
			700	6,17	4,32	568	131	



# DotMAX

5050 footprint spot module, CXA 13xx compatible | R3246

## Mechanical drawing

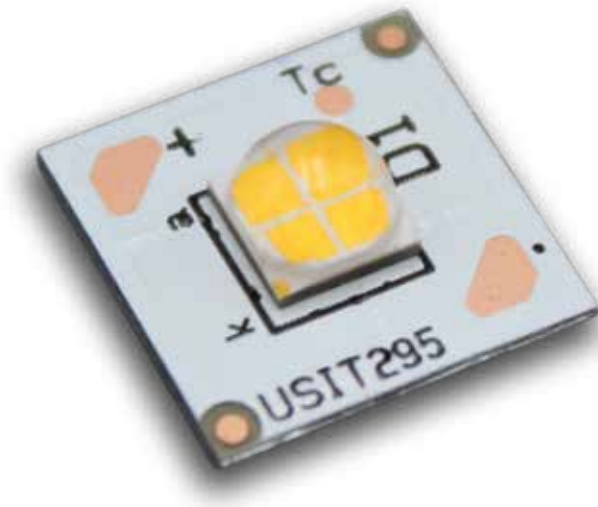


## Accessories



## Lenses

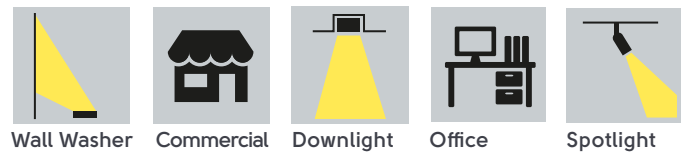
Part number	Beam angle	Size	Holder
LL01CR-CHQ24L02	24°	35mm	LL01A00CWFB2
LL01CR-CHQ38L02	38°	35mm	
LL01CR-CHQ45L02	45°	35mm	
LL01CR-CEW12L52	12°	50mm	LL01A00CWFB2
LL01CR-CEW24L52	24°	50mm	
LL01CR-CEW38L52	38°	50mm	
LL01CR-CEW45L52	45°	50mm	
LL01CR-CEW60L52	60°	50mm	
LL01CR-CEW2731L52	27° x 31°	50mm	
LL01CR-CEW3662L52	36° x 62°	50mm	
LL01CR-CEW3864L52	38° x 64°	50mm	
LL01CR-DJC3050L06-M2	30°x50°	53,48mm	LL01CRWF15H2 + LL01CRYB3050H2



## Features

- PCB dimension: 13,35x13,35mm;
- Up to 1032 lm;
- Up to 155 lm/W;
- CRI 70, 80, 90;
- Max Electrical Insulation 250V;
- Lifetime >60000h @ 500mA.

## Applications



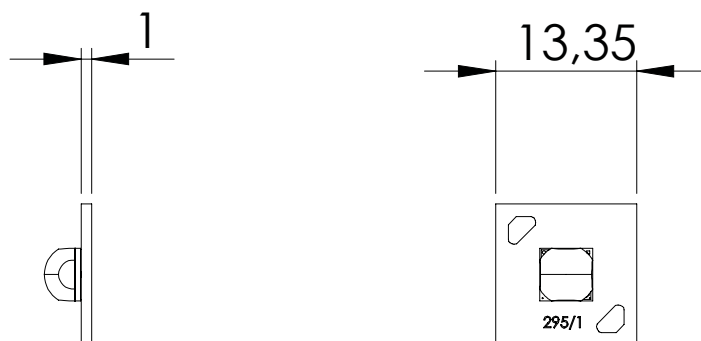
Code	CCT	CRI	Current [mA]	Voltage [V]	Power [W]	Total Lumen [lm]	lm/W	Energy Efficiency
R3295013070	3000K	70	350	11,05	3,87	558	144	E A t G
			700	11,5	8,05	963	120	E A t G
R3295014070	4000K		350	11,05	3,87	558	144	E A t G
			700	11,5	8,05	963	120	E A t G
R3295015070	5000K		350	11,05	3,87	598	155	D A t G
			700	11,5	8,05	1032	128	E A t G



# DotMAX

XHP50 spot module, CXA 13xx compatible | R3295

## Mechanical drawing

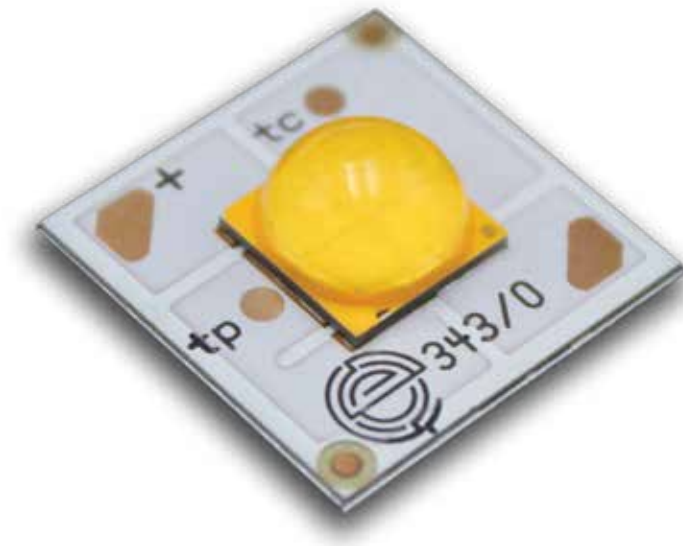


## Accessories



## Lenses

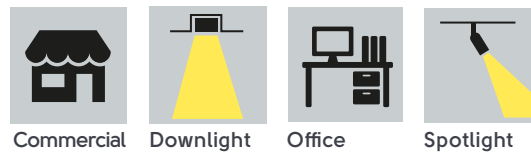
Part number	Beam angle	Size	Holder
LL01CR-CHQ24L02	24°	35mm	LL01A00CWFB2
LL01CR-CHQ38L02	38°	35mm	
LL01CR-CHQ45L02	45°	35mm	
LL01CR-CEW12L52	12°	50mm	LL01A00CWFB2
LL01CR-CEW24L52	24°	50mm	
LL01CR-CEW38L52	38°	50mm	
LL01CR-CEW45L52	45°	50mm	
LL01CR-CEW60L52	60°	50mm	
LL01CR-CEW2731L52	27° x 31°	50mm	
LL01CR-CEW3662L52	36° x 62°	50mm	
LL01CR-CEW3864L52	38° x 64°	50mm	



## Features

- PCB dimension: 15,85x15,85mm;
- Up to 1635 lm;
- Up to 139 lm/W;
- CRI 70, 80, 90;
- Max Electrical Insulation 250V;
- Lifetime >60000h @ 500mA.

## Applications



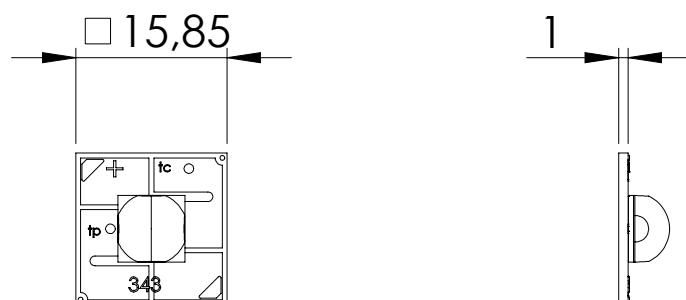
Code	CCT	CRI	Current [mA]	Voltage [V]	Power [W]	Total Lumen [lm]	lm/W	Energy Efficiency
R3343013070	3000K	70	700	10,9	7,63	923	121	
			1050	11,2	11,76	1420	120	
R3343014070	4000K		700	10,9	7,63	988	129	
			1050	11,2	11,76	1520	129	
R3343015070	5000K		700	10,9	7,63	1063	139	
			1050	11,2	11,76	1635	139	



# DotMAX

XHP70 spot module, CXA 15xx compatible | R3343

## Mechanical drawing



## Accessories



Lenses			
Part number	Beam angle	Size	Holder
LL01CR-CEN12L52	12°	70mm	LL01A00CWDB2
LL01CR-CEN24L52	24°	70mm	
LL01CR-CEN38L52	38°	70mm	LL01A00CWDB2
LL01CR-CEN45L52	45°	70mm	
LL01CR-CEN60L52	60°	70mm	



# DotMAX

RGBW 44mm spot module | R3121



## Features

- PCB diameter: 44mm;
- Up to 327 lm;
- Up to 69 lm/W;
- CRI 70, 80;
- Max Electrical Insulation 250V;
- Connection type: Molex 53261 Picoblade 8 way;
- Lifetime >50000h @ 700mA;
- NTC available on request.

## Applications



Indoor



Commercial



Color Mixing



Decorative



Architectural

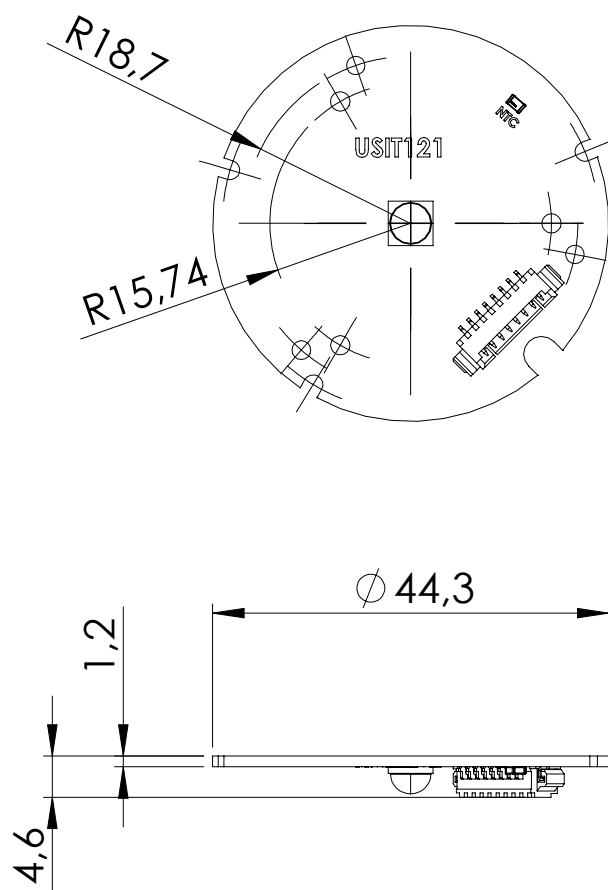
Code	CCT	CRI	Current [mA]	Voltage [V]					Power [W]	Total Lumen [lm]					lm/W	Energy Efficiency
				R	G	B	W	Tot		R	G	B	W	Tot		
R31210IRGBW	RGBW + 3000K	70	350	1,7	3,0	2,8	2,8	10,3	3,6	39,4	70	13,8	66,5	189	53	
			700	2,7	4	4	4	14,7	10,29	75	112	25	115	327	32	
	RGBW + 4000K		350	1,7	3,0	2,8	2,8	10,3	3,6	39,4	70	13,8	66,5	189	53	
			700	2,7	4	4	4	14,7	10,29	75	112	25	115	327	32	
	RGBW + 5000K		350	1,7	3,0	2,8	2,8	10,3	3,6	39,4	70	13,8	66,5	189	69	
			700	2,7	4	4	4	14,7	10,29	75	112	25	115	327	36	



# DotMAX

RGBW 44mm spot module | R3121

## Mechanical drawing



## Accessories



### Lenses

Part number	Beam angle
LL01CR-ABH40L02	40°
LL01CR-ABH60L02	60°
LL01CR-PV45L02	45°
LL01CR-PV60L02	60°
LL01CR-PV80L02	80°

# DotMAX

3636 NV4WB35AMT 35mm spot module | R3645



## Features

- PCB diameter: 35mm;
- Up to 928 lm;
- Up to 155 lm/W;
- CRI 70, 80;
- Max Electrical Insulation 250V;
- Connection type: WAGO 2059 series 1 pole;
- Lifetime >60000h @ 500mA.

## Applications



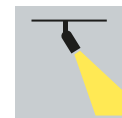
Commercial



Downlight



Office



Spotlight

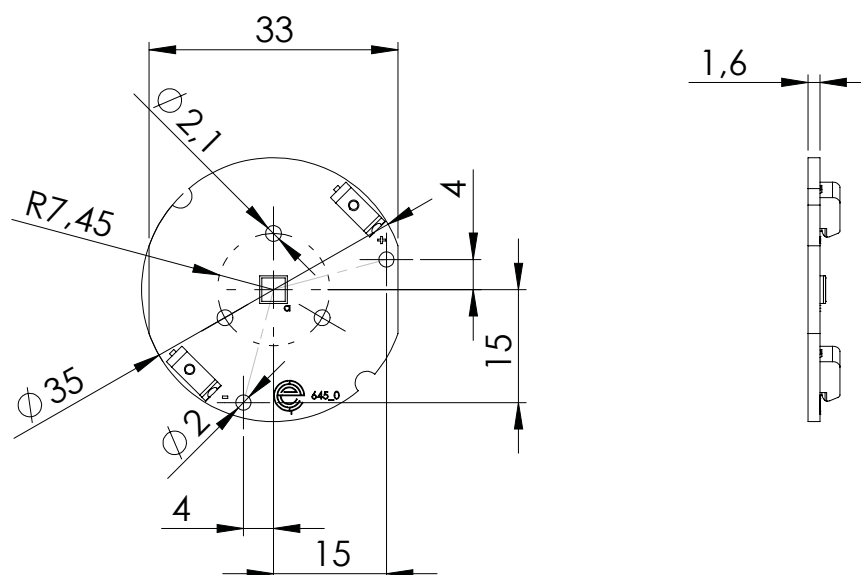
Code	CCT	CRI	Current [mA]	Voltage [V]	Power [W]	Total Lumen [lm]	lm/W	Energy Efficiency
R3645003080	3000K	80	700	5,9	4,13	619	150	
			1050	6,03	6,33	892	141	
R3645004080	4000K		700	5,9	4,13	635	154	
			1050	6,03	6,33	916	145	
R3645005080	5000K		700	5,9	4,13	641	155	
			1050	6,03	6,33	928	147	



# DotMAX

3636 NV4WB35AMT 35mm spot module | R3645

## Mechanical drawing



## Accessories



### Lenses

Part number	Beam angle
LL01CR-BLU3L06-M2	3°
LL01CR-BLU5L06-M2	5°
LL01CR-BLU15L06-M2	15°
LL01CR-BLU25L06-M2	25°
LL01CR-BLU38L06-M2	38°
LL01CR-BLU520L06-M2	5° x 20°
LL01CR-BLU1035L06-M2	10° x 35°

# DotMAX

25mm spot module, 4 CSP LEDs | R3766



## Features

- PCB diameter: 25mm;
- Up to 657 lm;
- Up to 120 lm/W;
- CRI 80, 90;
- Max Electrical Insulation 250V;
- Lifetime >60000h @ 350mA.

## Applications



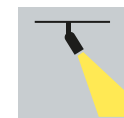
Commercial



Downlight



Office



Spotlight

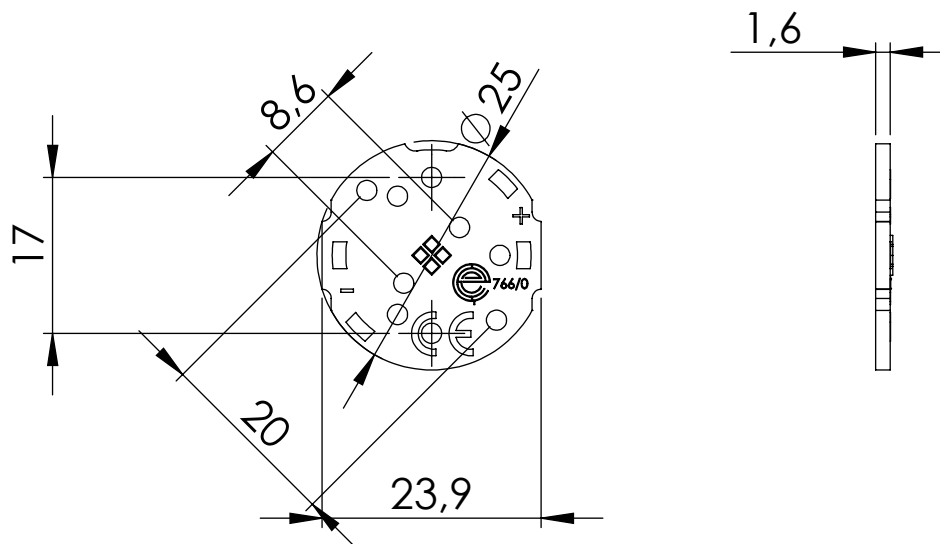
Code	CCT	CRI	Current [mA]	Voltage [V]	Power [W]	Total Lumen [lm]	lm/W	Energy Efficiency
R3766013090100	3000K	80	350	11,2	3,92	380	97	F A T G
			500	11,8	5,9	542	92	F A T G
R3766014080100	4000K	90	350	10,8	3,78	460	121	E A T G
			500	11,1	5,56	657	118	F A T G



# DotMAX

25mm spot module, 4 CSP LEDs | R3766

## Mechanical drawing



## Accessories



### Lenses

Part number	Beam angle
LL01CR-BLU3L06-M2	3°
LL01CR-BLU5L06-M2	5°
LL01CR-BLU15L06-M2	15°
LL01CR-BLU25L06-M2	25°
LL01CR-BLU38L06-M2	38°
LL01CR-BLU520L06-M2	5° x 20°
LL01CR-BLU1035L06-M2	10° x 35°
LL01CR-FL10L06-M2	10°
LL01CR-FL25L06-M2	25°
LL01CR-FL40L06-M2	40°
LL01CR-FL60L06-M2	60°
LL01CR-FL100L06-M2	100°
LL01CR-FL3065L06-M2	30° x 65°

# DotMAX

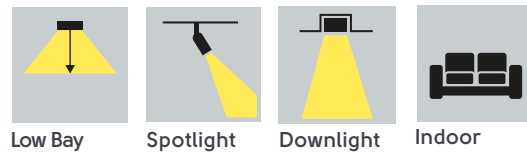
COB module, 24 CSP LEDs, CLL04x compatible | R3223



## Features

- PCB dimension: 28x28mm;
- Up to 5940 lm;
- Up to 168 lm/W;
- CRI 70, 80, 90;
- Max Electrical Insulation 250V,  
Max 4 LED boards in series;
- Lifetime >60000h @1050mA;
- Available with higher ESD protector.

## Applications



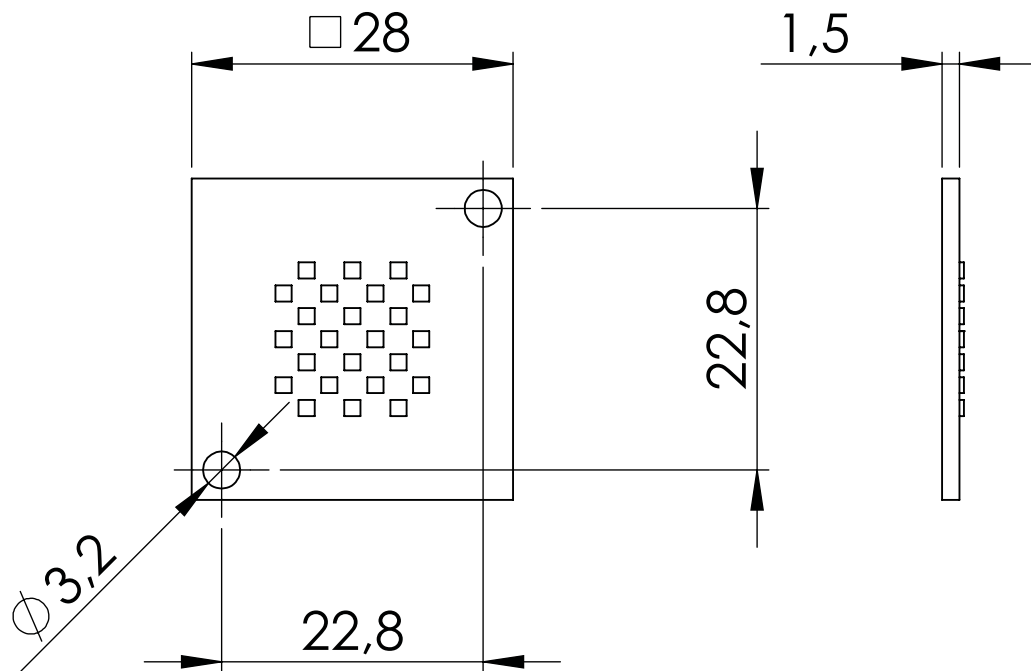
Code	CCT	CRI	Current [mA]	Voltage [V]	Power [W]	Total Lumen [lm]	lm/W	Energy Efficiency
R3223013080	3000K	80	700	33,6	23,5	3480	148	
			1050	36	37,8	5220	138	
R3223014080	4000K		700	33,6	23,5	3720	158	
			1050	36	37,8	5580	148	
R3223015080	5000K		700	33,6	23,5	3960	168	
			1050	36	37,8	5940	157	



# DotMAX

COB module, 24 CSP LEDs, CLL04x compatible | R3223

## Mechanical drawing



## Accessories



## Reflectors

Part number	Beam angle	Size	Holder
LL01SP-ASO15R49	15°	d:90mm h:50mm	LL01A27BUYM2.M2 – with contact pins
LL01SP-ASO24R49	24°	d:90mm h:50mm	
LL01SP-ASO38R49	38°	d:90mm h:50mm	
LL01SP-ASO45R49	45°	d:90mm h:50mm	
LL01SP-ATH15R49	15°	d:75mm h:40mm	
LL01SP-ATH24R49	24°	d:75mm h:40mm	
LL01SP-ATH30R49	30°	d:75mm h:40mm	
LL01SP-ATH38R49	38°	d:75mm h:40mm	



# DotMAX

68,5mm spot module, 5050 flat LEDs | R3455



## Features

- PCB diameter: 68,5mm;
- Up to 2167 lm;
- Up to 183 lm/W;
- CRI 80, 90 available on request;
- Max Electrical Insulation 250V;
- Connection type: Wago 2060 series 2 pole;
- Lifetime >60000h @ 500mA.

## Applications



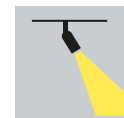
Commercial



Downlight



Office



Spotlight

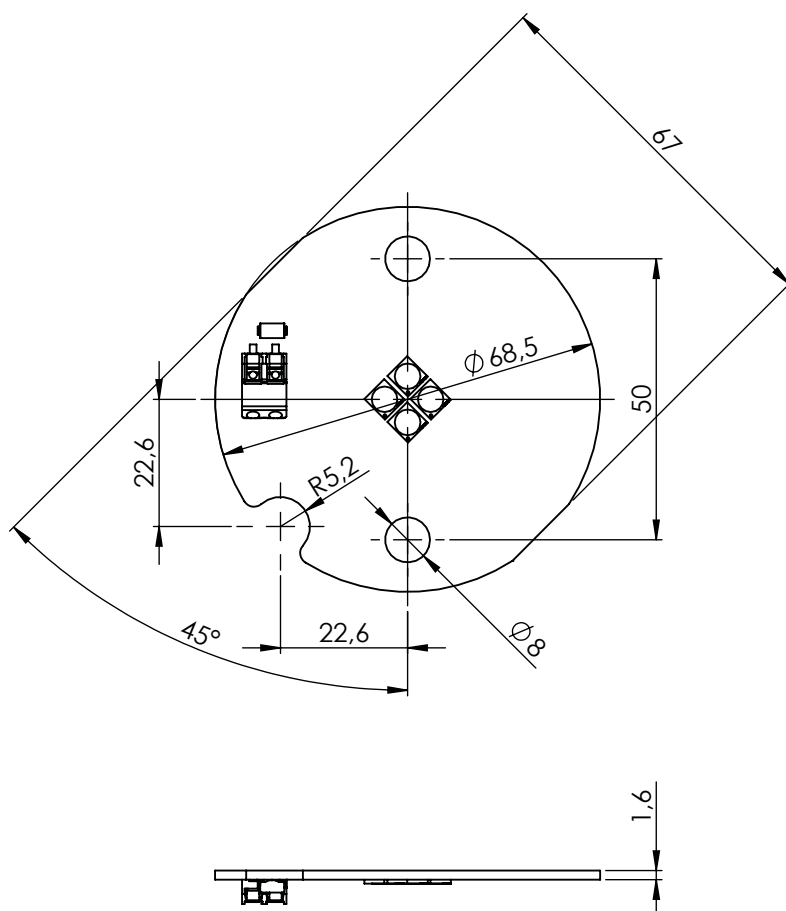
Code	CCT	CRI	Current [mA]	Voltage [V]	Power [W]	Total Lumen [lm]	lm/W	Energy Efficiency
R3455013070	3000K	70	350	24	8,6	1364	169	
			500		11,88	1894	160	
R3455014070	4000K		350		8,6	1422	176	
			500		11,88	2167	183	



# DotMAX

68,5mm spot module, 5050 flat LEDs | R3455

## Mechanical drawing



## Accessories

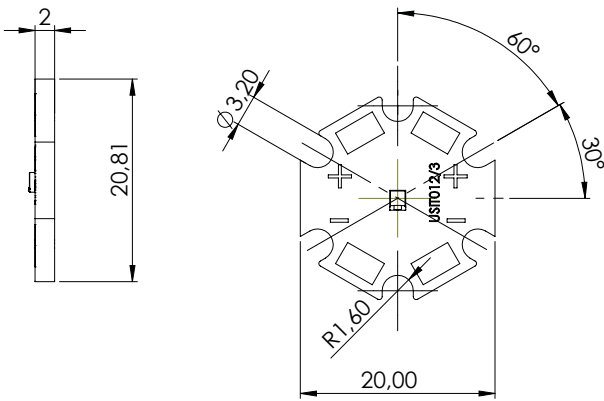


### Lenses

Part number	Beam angle	Size	Holder
LL01CR-CEN12L52	12°	70mm	LL01A00CWDB2
LL01CR-CEN24L52	24°	70mm	
LL01CR-CEN38L52	38°	70mm	LL01A00CWDB2
LL01CR-CEN45L52	45°	70mm	
LL01CR-CEN60L52	60°	70mm	

# DotMAX

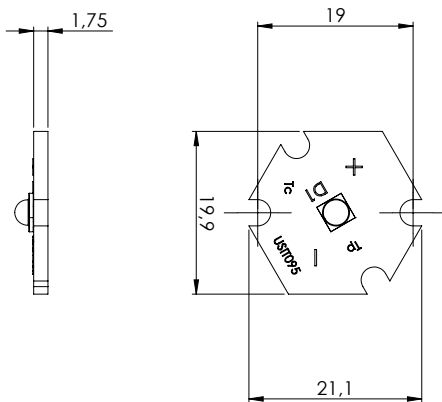
## Star led modules



### Features

- LED options: Luxeon TX, Luxeon Z-ES;
- PCB dimension: 20x21mm;
- Up to 350 lm;
- Up to 207 lm/W;
- CRI 80, 90 available on request;
- Max Electrical Insulation 250V;
- Lifetime >60000h @ 500mA;
- Compatible with BJB holders.

Code	CCT	CRI	Current [mA]	Voltage [V]	Power [W]	Total Lumen [lm]	lm/W	Energy Efficiency
R3012003070	3000K	70	350	2,76	0,97	176	182	
			700	2,85	2	322	161	
R3012004070	4000K		350	2,76	0,97	176	182	
			700	2,85	2	322	161	
R3012005070	5000K		350	2,76	0,97	176	170	
			700	2,85	2	322	151	



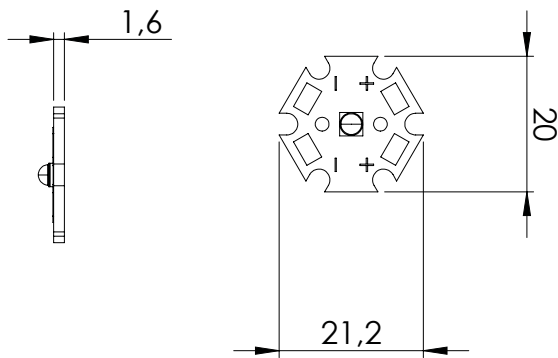
### Features

- LED options: Nichia 219/319, CREE XPG3/XHP35/XPL;
- PCB dimension: 20x21,1mm;
- Up to 350 lm;
- Up to 207 lm/W;
- CRI 80, 90 available on request;
- Max Electrical Insulation 250V;
- Lifetime >60000h @ 500mA;
- Compatible with BJB holders.

Code	CCT	CRI	Current [mA]	Voltage [V]	Power [W]	Total Lumen [lm]	lm/W	Energy Efficiency
R3095003070	3000K	70	350	2,62	0,92	170	185	
			700	2,75	1,93	310	161	
R3095004070	4000K		350	2,62	0,92	170	185	
			700	2,75	1,93	310	161	
R3095005070	5000K		350	2,66	0,93	192	207	
			700	2,8	1,96	350	179	

# DotMAX

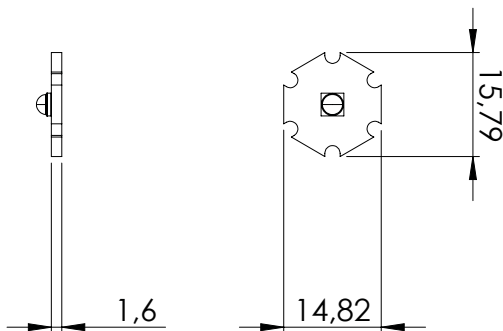
## Star led modules



### Features

- LED options: Nichia 219C or similar;
- PCB dimension: 20x21mm;
- Up to 350 lm;
- Up to 207 lm/W;
- CRI 80, 90 available on request;
- Max Electrical Insulation 250V;
- Lifetime >60000h @ 500mA;
- Compatible with LedLink YN reflectors.

Code	CCT	CRI	Current [mA]	Voltage [V]	Power [W]	Total Lumen [lm]	lm/W	Energy Efficiency
R3237003070	3000K	70	350	2,62	0,92	170	185	
			700	2,75	1,93	310	161	
R3237004070	4000K		350	2,62	0,92	170	185	
			700	2,75	1,93	310	161	
R3237005070	5000K		350	2,66	0,93	192	207	
			700	2,8	1,96	350	179	



### Features

- LED options: Nichia 219/319, CREE XPG3/XHP35/XPL;
- PCB dimension: 16x15mm;
- Up to 350 lm;
- Up to 207 lm/W;
- CRI 80, 90 available on request;
- Max Electrical Insulation 250V;
- Lifetime >60000h @ 500mA.

Code	CCT	CRI	Current [mA]	Voltage [V]	Power [W]	Total Lumen [lm]	lm/W	Energy Efficiency
R3262003070	3000K	70	350	2,62	0,92	170	185	
			700	2,75	1,93	310	161	
R3262004070	4000K		350	2,62	0,92	170	185	
			700	2,75	1,93	310	161	
R3262005070	5000K		350	2,66	0,93	192	207	
			700	2,8	1,96	350	179	

## Accessories

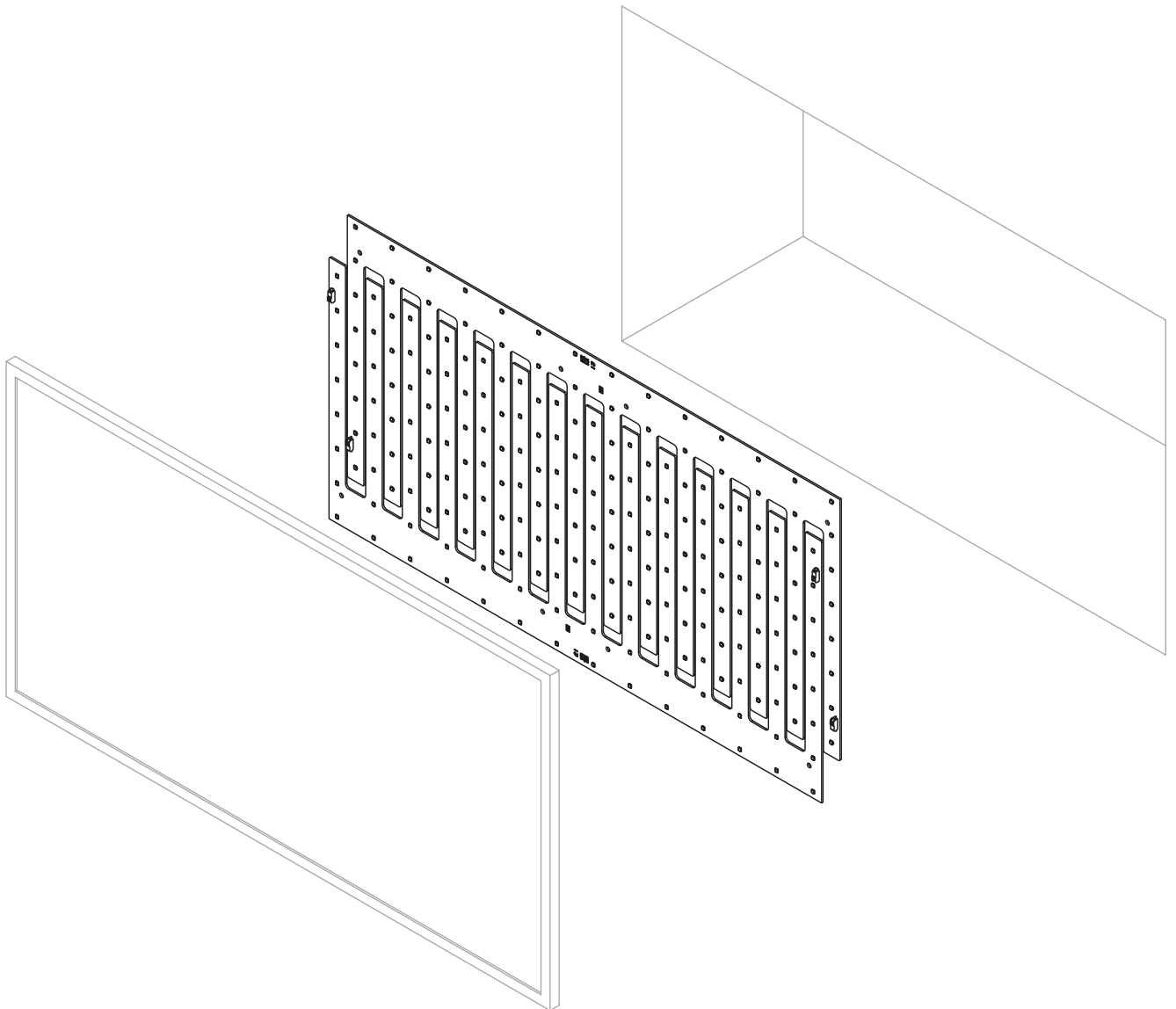
### Star Thermal Interface

Part number	Dimension (mm)	Thickness (mm)	Th.conductivity (W/mK)	Th.impedance (K-cm <sup>2</sup> /W)	Breakdown voltage (Vac)	Flame rating (UL94)
UBOND725/STAR	0,25	0,23	1,0	3	>6000	V0



# FlatMAX

Low-bay lighting solutions



# FlatMAX

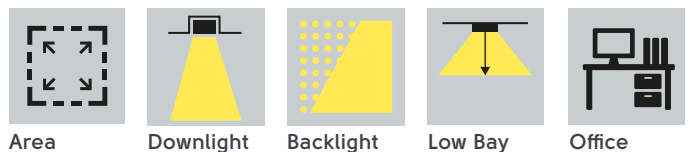
600x600mm finger module, 2x112 LEDs | R4418



## Features

- Finger board for 600x600mm fixture;
- Dimension: 543x250mm (single board);
- Up to 8691 lm;
- Up to 196 lm/W;
- CRI 70, 80, 90;
- Max Electrical Insulation 250V;
- Lifetime >60000h @ 350mA.

## Applications



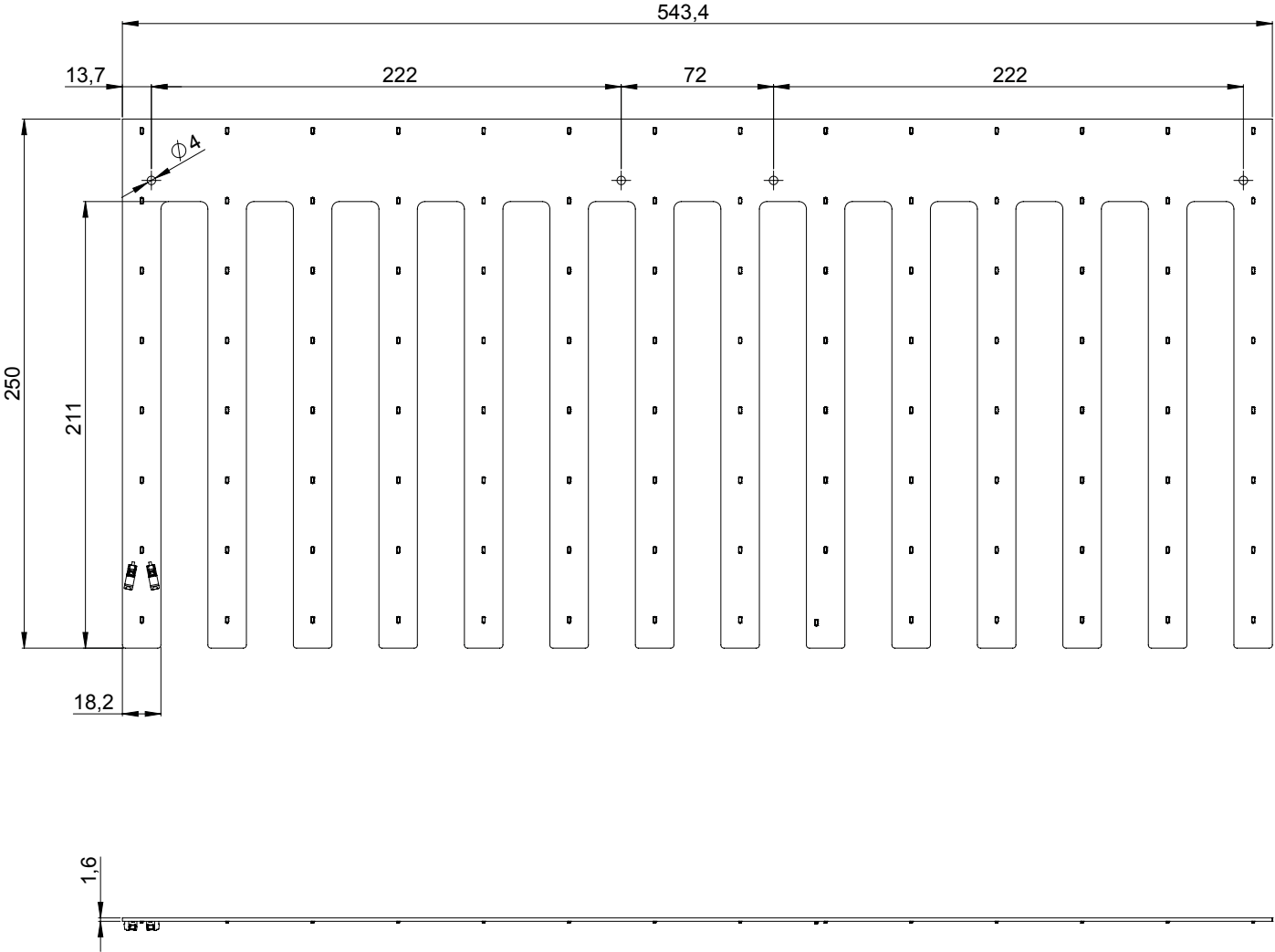
Code	CCT	CRI	Current [mA]	Voltage [V]	Power [W]	Total Lumen [lm]	lm/W	Energy Efficiency
R4218113080	3000K	80	350	48,8	17,08	3136	184	
			700	49,6	34,72	5645	162	
			1050	50,4	52,92	8467	160	
R4218114080	4000K		350	50,4	17,08	3248	190	
			700	49,6	34,72	5768	166	
			1050	50,4	52,92	8579	162	
R4218115080	5000K		350	48,8	17,08	3360	196	
			700	49,6	34,72	5880	169	
			1050	50,4	52,92	8691	164	



# FlatMAX

600x600mm finger module, 2x112 LEDs | R4418

## Mechanical drawing





# FlatMAX

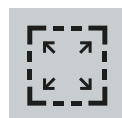
600x600mm finger module, 224+224 LEDs, dynamic white | R4428



## Features

- Finger board for 600x600mm fixture;
- Dimension: 543x250mm (single board);
- Up to 8782 lm;
- Up to 148 lm/W;
- CRI 70, 80;
- Max Electrical Insulation 250V;
- Lifetime >60000h @ 350mA.

## Applications



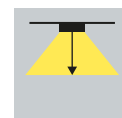
Area



Downlight



Backlight



Low Bay



Office

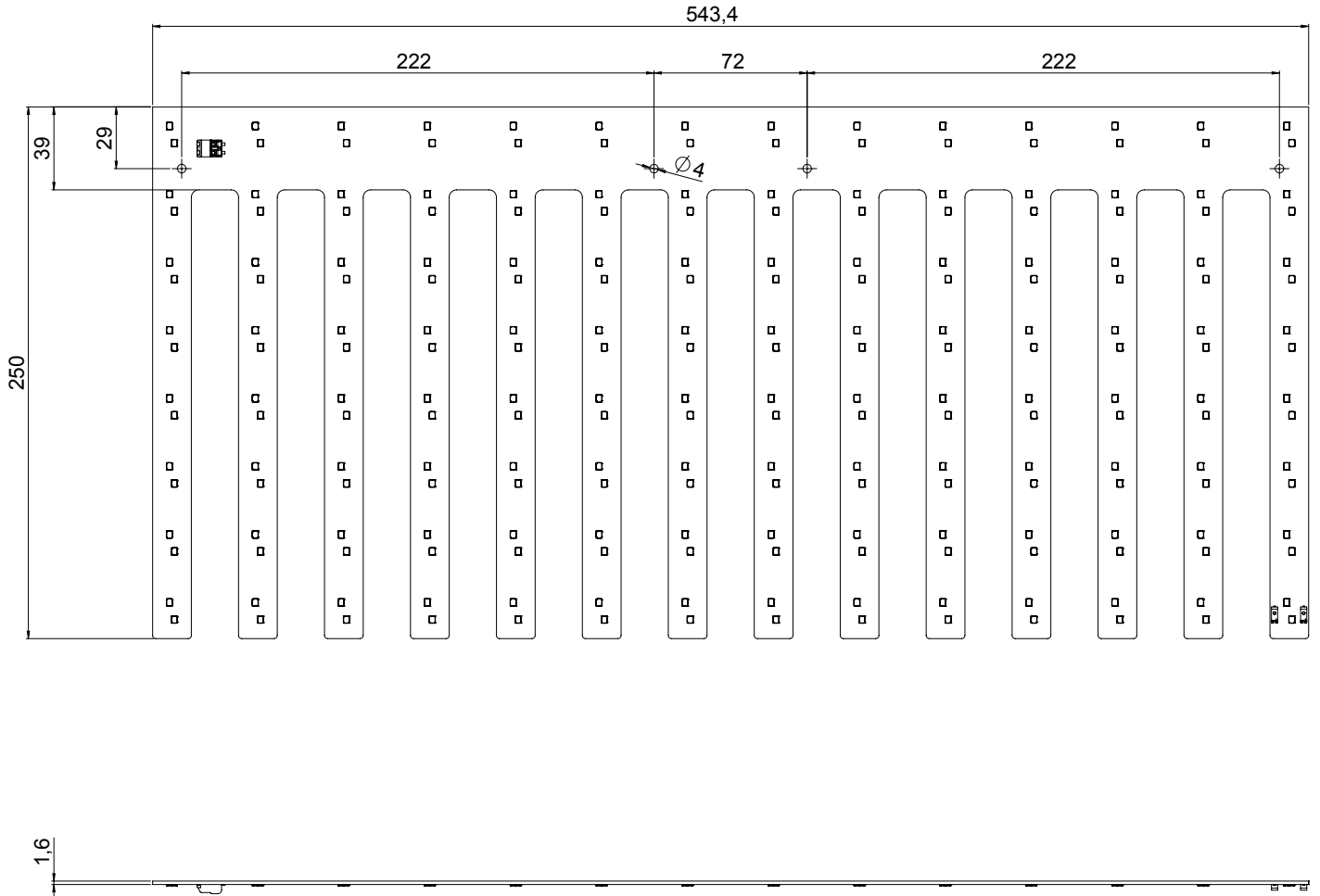
Code	CCT	CRI	Current [mA]	Voltage [V]	Power [W]	Total Lumen [lm]	lm/W	Energy Efficiency
R442811TW80	2700K	80	350	91,6	32,06	4096	128	
	6500K			91,1	31,89	4736	148	
	2700K+6500K			182,5	63,88	8782	137	



# FlatMAX

600x600mm finger module, 224+224 LEDs, dynamic white | R4428

## Mechanical drawing



# FlatMAX

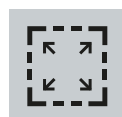
Slice module, 60 mid-power LEDs | R4364



## Features

- PCB radius: 283mm;
- Up to 3348 lm;
- Up to 196 lm/W;
- CRI 70, 80, 90;
- Max Electrical Insulation 250V;
- Lifetime >60000h @ 500mA.

## Applications



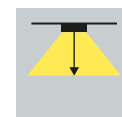
Area



Downlight



Backlight



Low Bay



Office

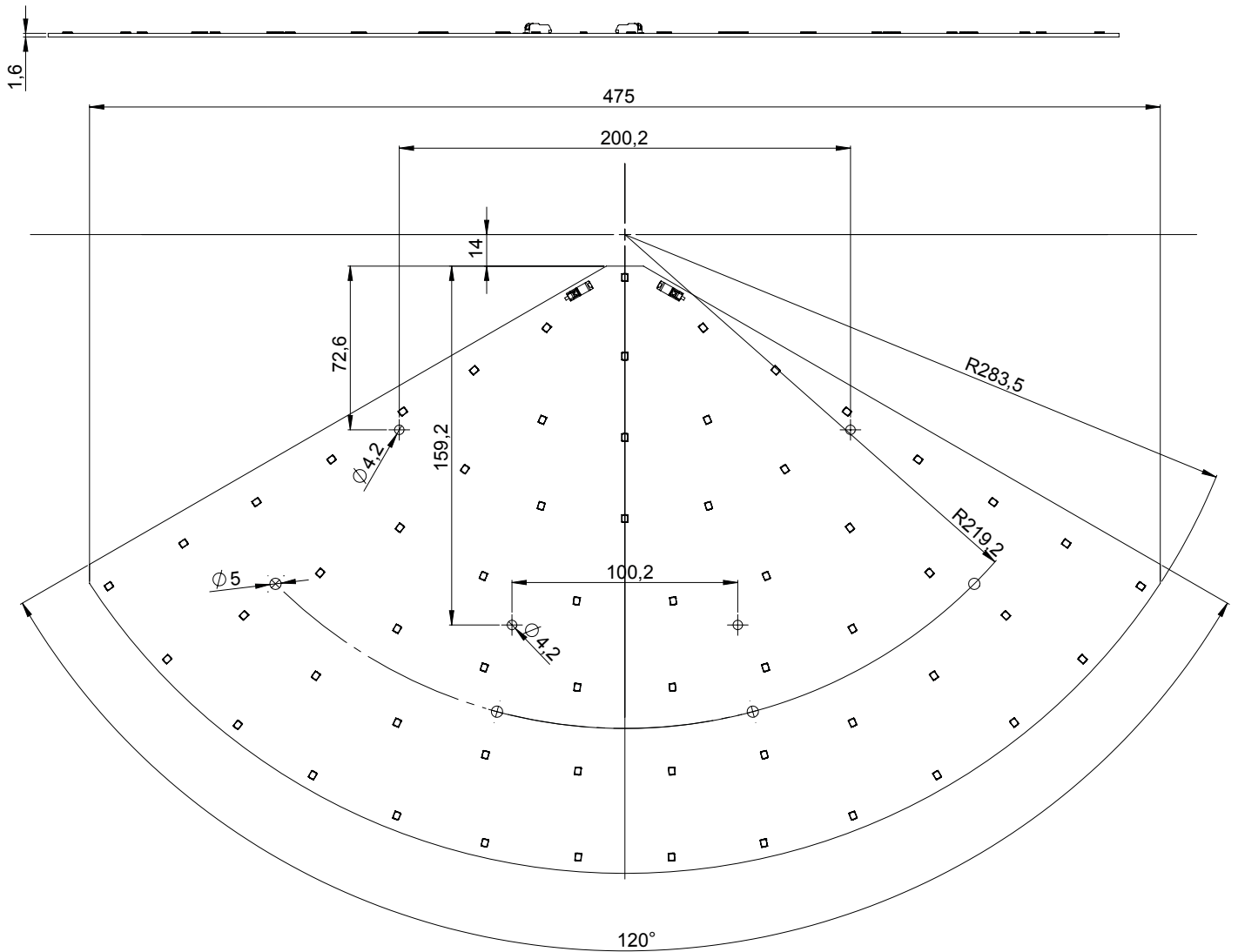
Code	CCT	CRI	Current [mA]	Voltage [V]	Power [W]	Total Lumen [lm]	lm/W	Energy Efficiency
R4364013080	3000K	80	700	17,28	12,1	2112	175	
			1050	18,06	18,96	2976	157	
R4364014080	4000K		700	17,28	12,1	2244	185	
			1050	18,06	18,96	3162	167	
R4364015080	5000K		700	17,28	12,1	2376	196	
			1050	18,06	18,96	3348	177	



# FlatMAX

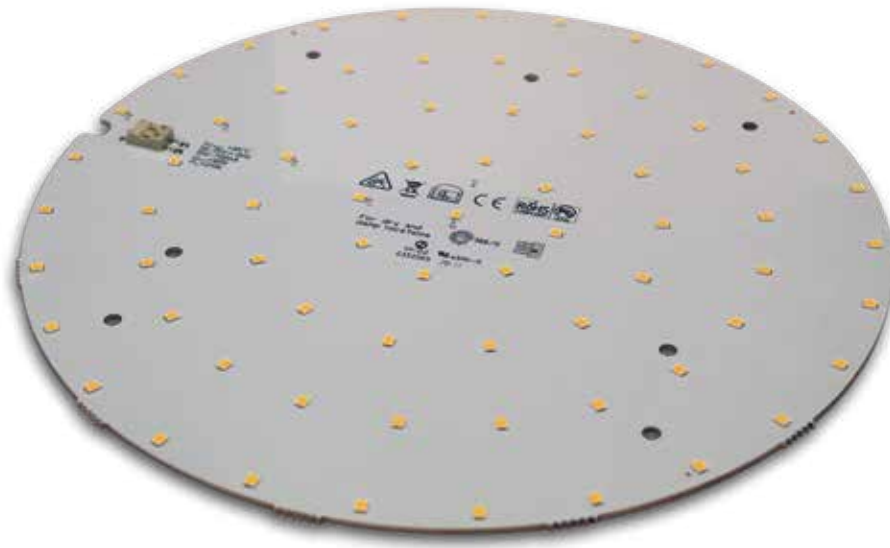
Slice module, 60 mid-power LEDs | R4364

## Mechanical drawing



# FlatMAX

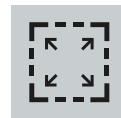
Round module, 72 mid-power LEDs | R4366



## Features

- PCB diameter: 237mm;
- Up to 4406 lm;
- Up to 177 lm/W;
- CRI 70, 80, 90;
- Max Electrical Insulation 250V;
- Lifetime >60000h @ 350mA.

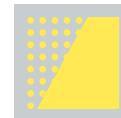
## Applications



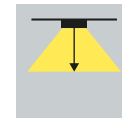
Area



Downlight



Backlight



Low Bay



Office

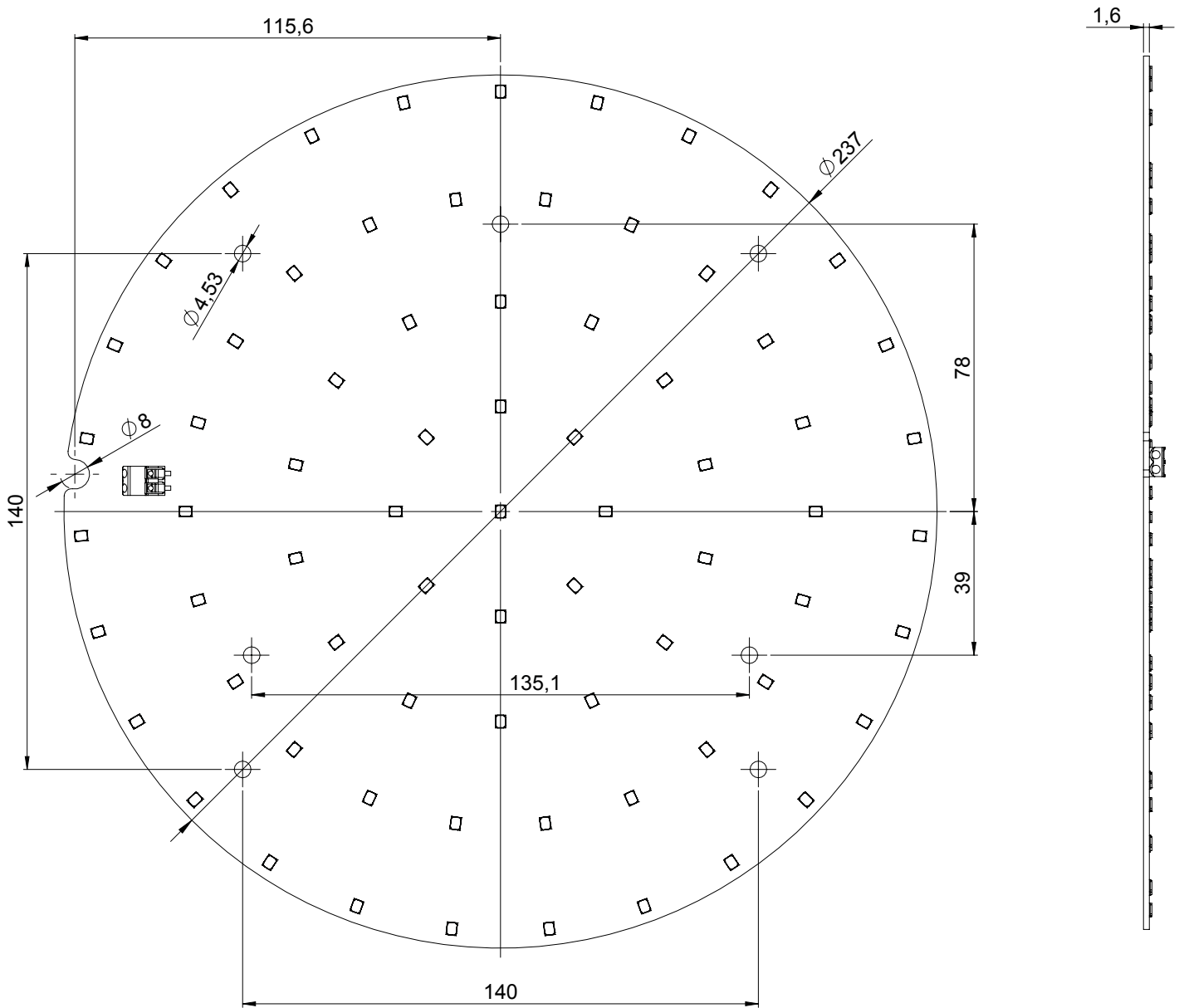
Code	CCT	CRI	Current [mA]	Voltage [V]	Power [W]	Total Lumen [lm]	lm/W	Energy Efficiency
R4366013080	3000K	80	350	33,54	11,74	1843	157	
			700	36,24	25,37	3917	155	
R4366014080	4000K		350	33,54	11,74	1958	167	
			700	36,24	25,37	4162	164	
R4366015080	5000K		350	33,54	11,74	2074	177	
			700	36,24	25,37	4406	174	



# FlatMAX

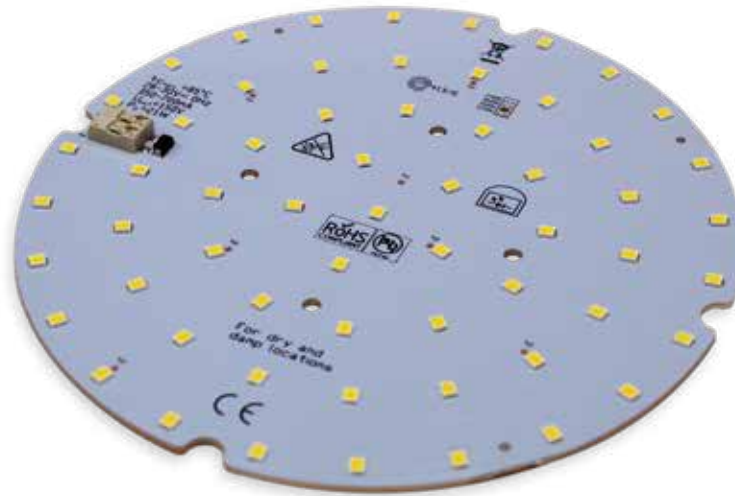
Round module, 72 mid-power LEDs | R4366

## Mechanical drawing



# FlatMAX

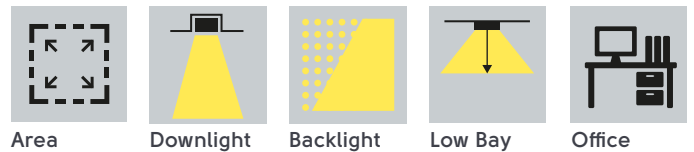
Round module, 60 mid-power LEDs | R4413



## Features

- PCB diameter: 145mm;
- Up to 3672 lm;
- Up to 181 lm/W;
- CRI 70, 80, 90;
- Max Electrical Insulation 250V;
- Lifetime >60000h @ 500mA.

## Applications



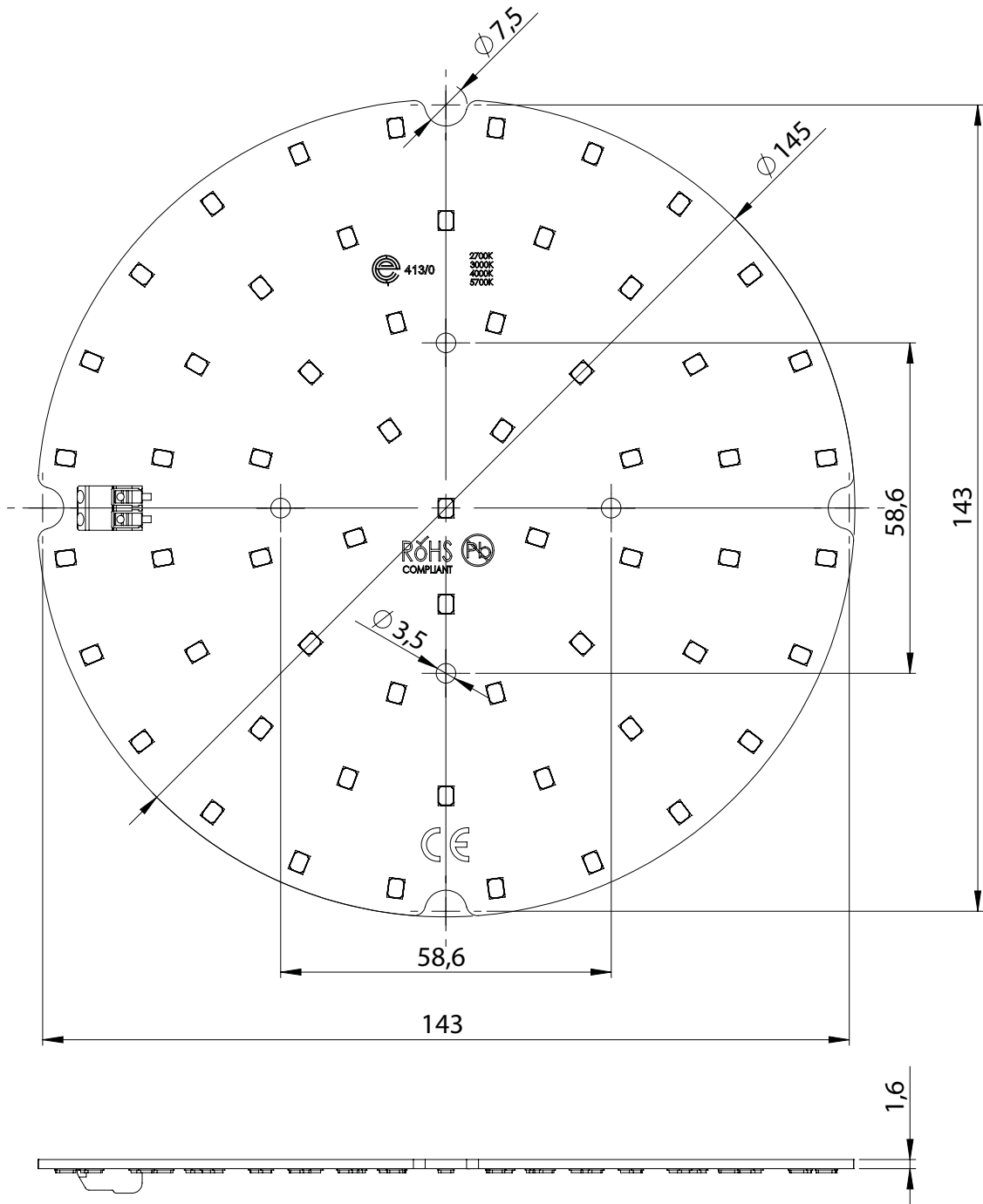
Code	CCT	CRI	Current [mA]	Voltage [V]	Power [W]	Total Lumen [lm]	lm/W	Energy Efficiency
R4413013080	3000K	80	350	27,95	9,57	1536	161	
			700	30,22	21,15	3264	154	
R4413014080	4000K		350	27,95	9,57	1632	171	
			700	30,22	21,15	3468	164	
R4413015080	5000K		350	27,95	9,57	1728	181	
			700	30,22	21,15	3672	174	



# FlatMAX

Round module, 60 mid-power LEDs | R4413

## Mechanical drawing





# FlatMAX

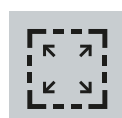
Circle ring module, 90 LEDs | R4465



## Features

- PCB dimension:
  - 247mm Ext. Diam.
  - 207mm Int. Diam.
- Up to 3726 lm;
- Up to 200 lm/W;
- CRI 70, 80, 90;
- Max Electrical Insulation 250V;
- Lifetime >60000h @ 350mA.

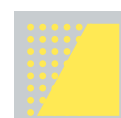
## Applications



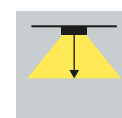
Area



Downlight



Backlight



Low Bay



Office

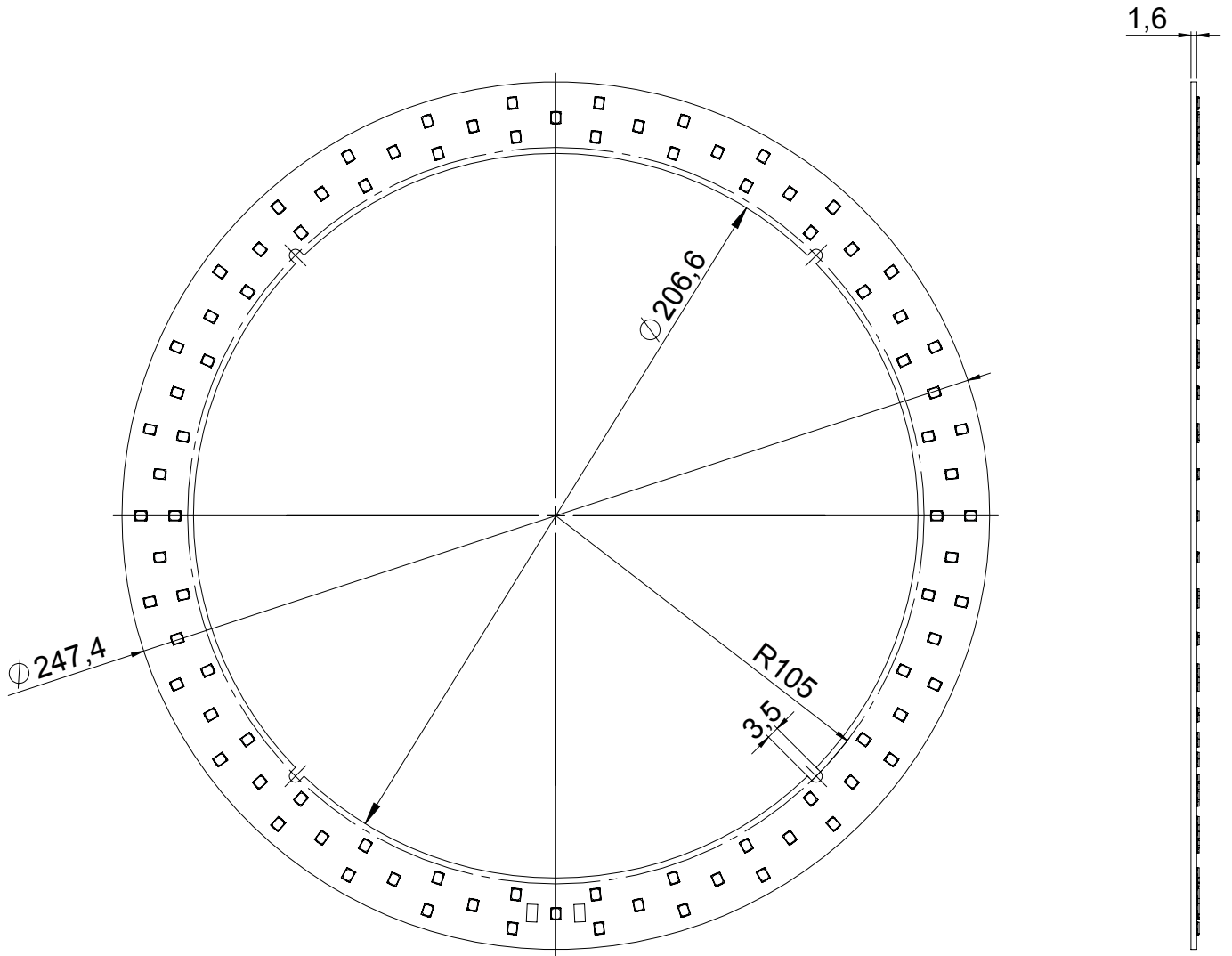
Code	CCT	CRI	Current [mA]	Voltage [V]	Power [W]	Total Lumen [lm]	lm/W	Energy Efficiency
R4465213080	3000K	80	350	27,7	9,7	1728	178	C A T G
			700	29	20,3	3312	163	D A T G
R4465214080	4000K		350	27,7	9,7	1836	189	C A T G
			700	29	20,3	3519	173	C A T G
R4465125080	5000K		350	27,7	9,7	1944	200	B A T G
			700	29	20,3	3726	184	C A T G



# FlatMAX

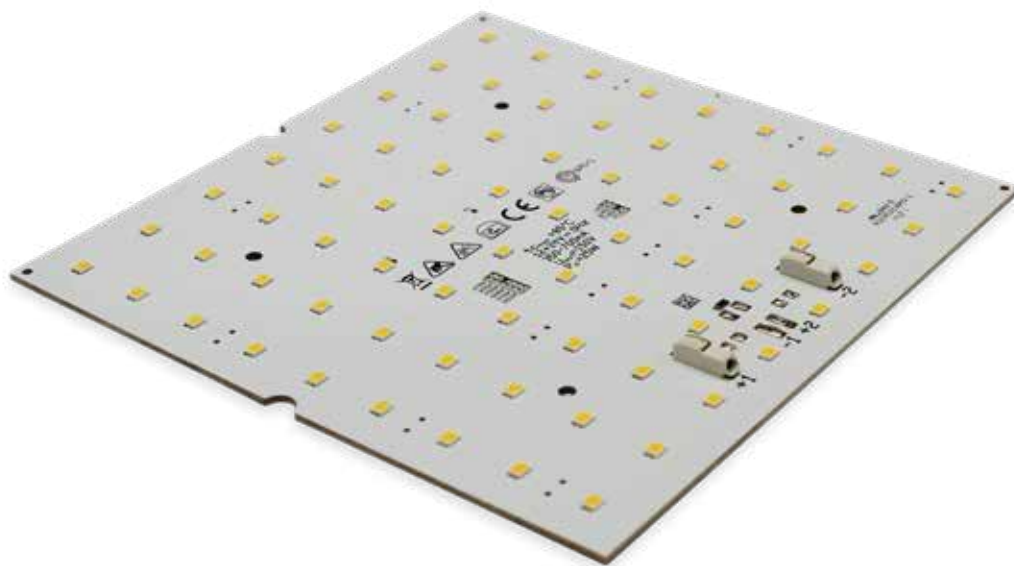
Circle ring module, 90 LEDs | R4465

Mechanical drawing



# FlatMAX

Square LED module, 145x145mm, 72 LEDs | R4675



## Features

- PCB dimension: 145x145mm;
- Up to 2948 lm;
- Up to 148 lm/W;
- CRI 80, 90;
- Max Electrical Insulation 250V,  
Max 6 LED boards in series;
- NTC available on request;
- Connection type: WAGO 2060-451/998-404;
- Lifetime >60000h @ 500mA.

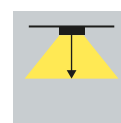
## Applications



Indoor



Downlight



Low Bay



Office

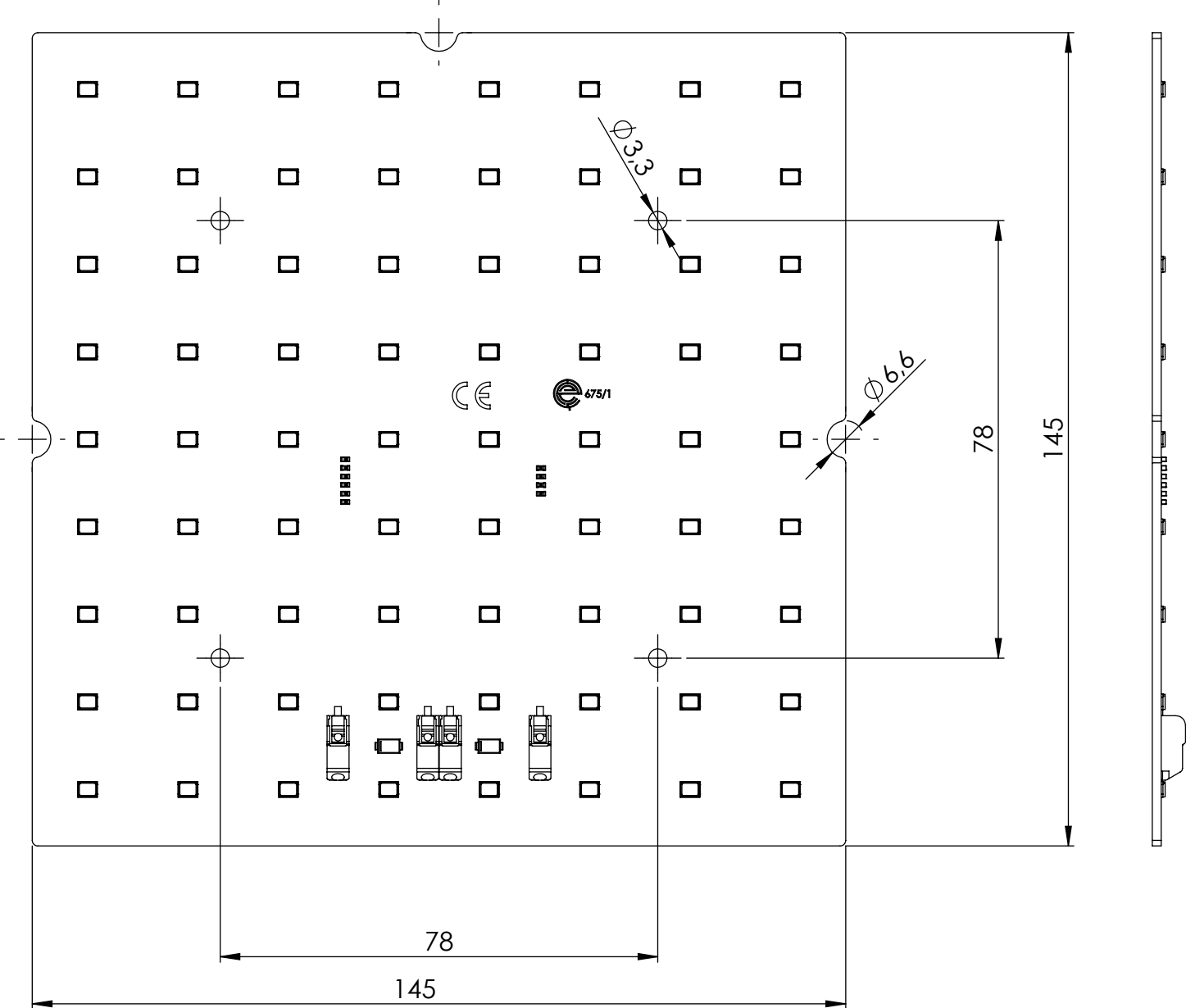
Code	CCT	CRI	Current [mA]	Voltage [V]	Power [W]	Total Lumen [lm]	lm/W	Energy Efficiency
R4675013090100	3000K	90	500	33,7	16,85	2383	141	
R4675014090100	4000K			33,7	16,85	2498	148	



# FlatMAX

Square LED module, 145x145mm, 72 LEDs | R4675

## Mechanical drawing

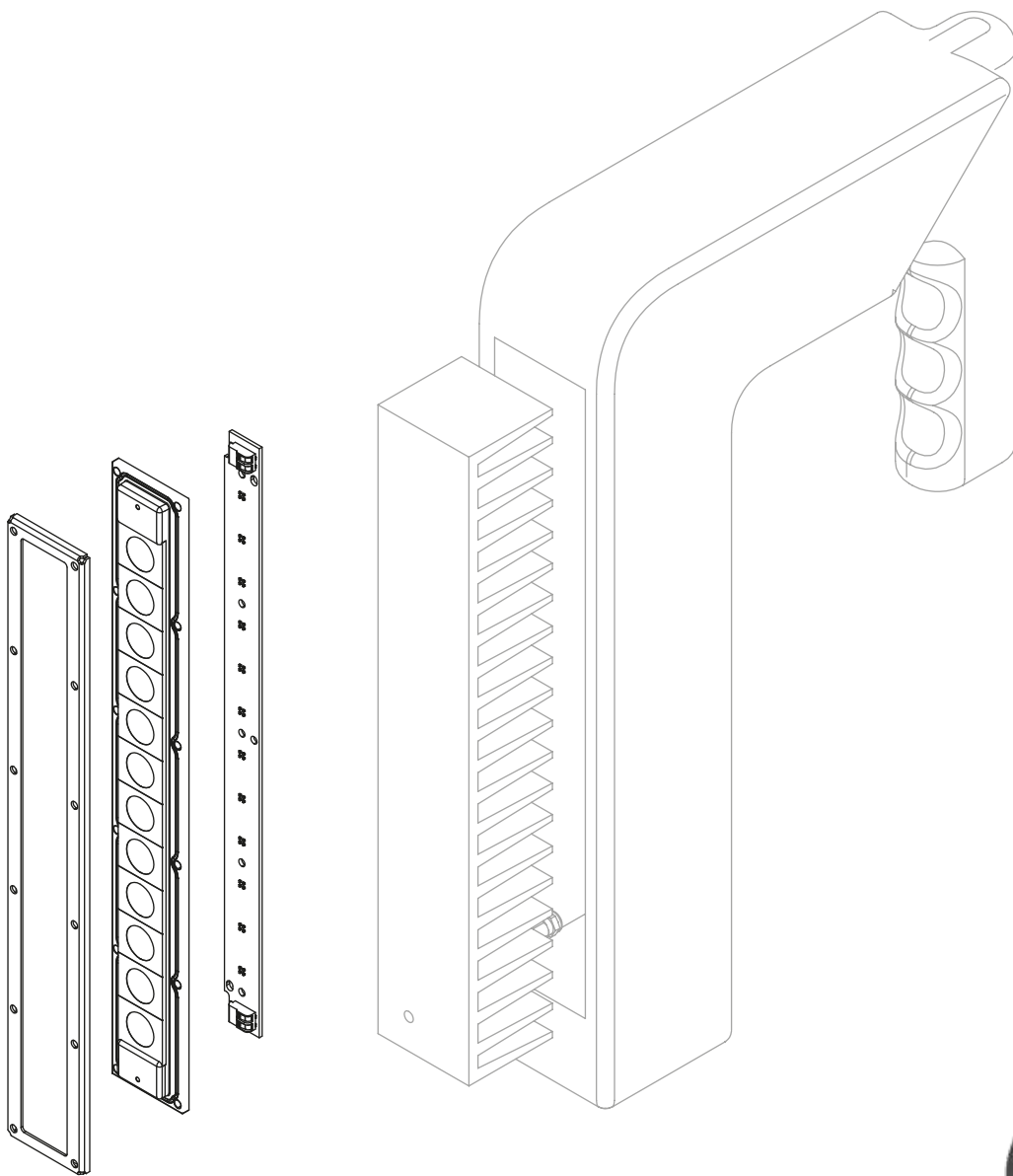


Serena Collection  
By Codega  
Tunable White/UV-C solution



# Special**RED**

UV lighting solutions



# SpecialRED

35mm spot module, 275nm UVC LED | R5645



## Features

- Wavelength: 275nm;
- PCB diameter: 35mm;
- Up to 150 mW Radiant Flux;
- Max Electrical Insulation 250V;
- Connection type: WAGO 2059 series 1 pole;
- Lifetime >20000h typ.

## Applications



### Safety advices

Some LED UV products emit ultraviolet light (<400nm).

Don't look at operating LEDs.  
Eye injury may result. Use necessary skin and eyes protection.

Assume IEC62471 Risk Group 3.



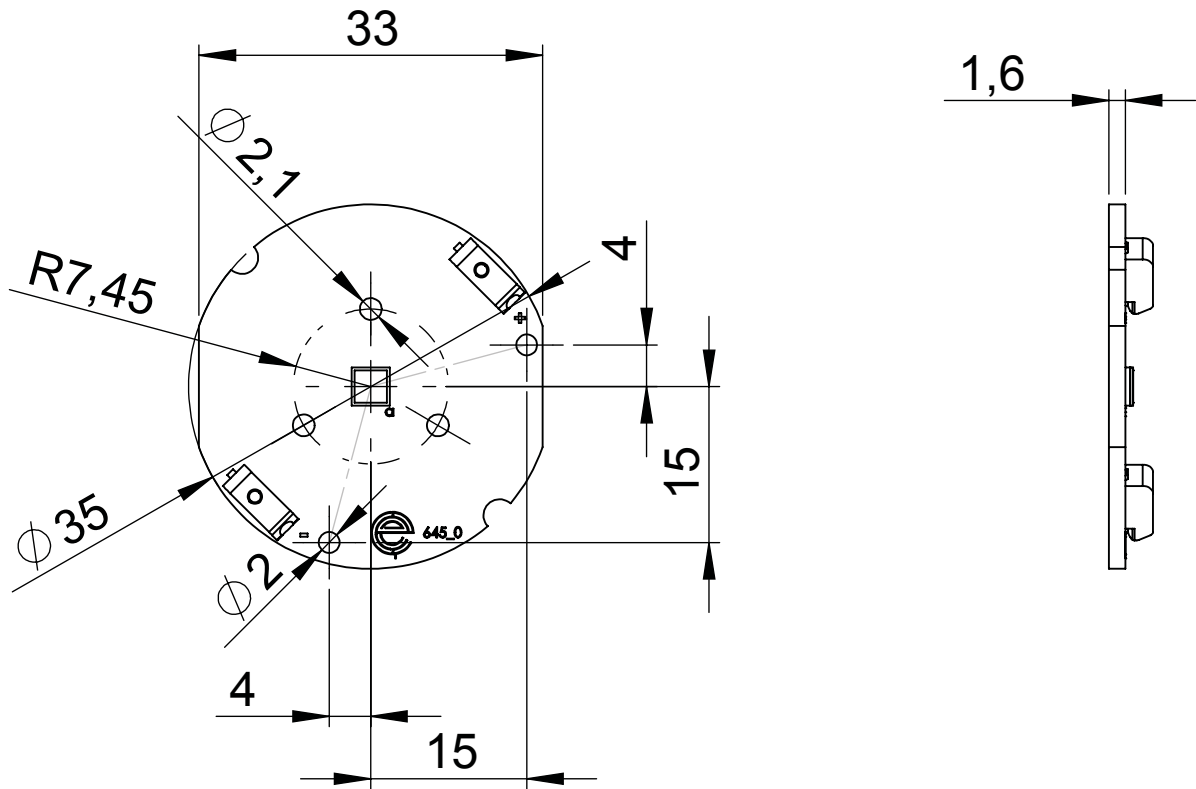
Code	Power class	Vf LED	Current [mA]	Power [W]	Radiant Flux [mW]
R564500UVC01GB	GB-PA	6,2	100	0,62	10
R564500UVC01GT	GT-PA		150	0,93	20
R564500UVC01GM	GM-PA		250	1,55	35
R564500UVC01GZ	GZ		350	2,17	50
R564500UVC01GH	GH-PA		600	4,02	150



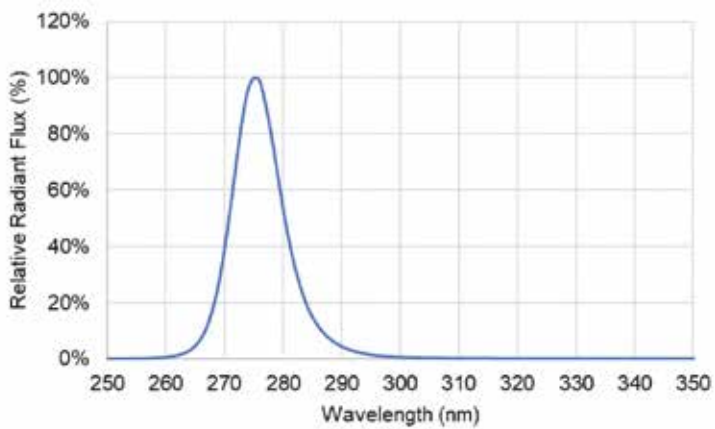
# SpecialRED

35mm spot module, 275nm UVC LED | R5645

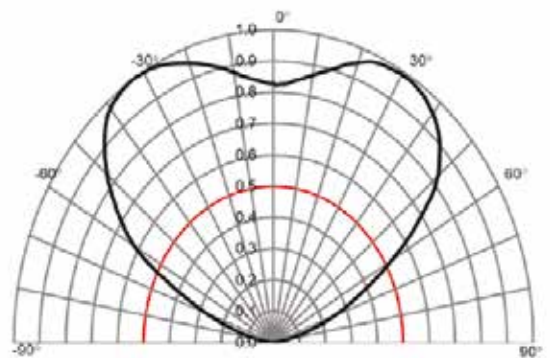
## Mechanical drawing



## Relative spectral distribution



## Radiation characteristics





# SpecialRED

UVC linear led module for Violet lens | R5723



## Features

- PCB dimension: 280x20mm;
- Up to 800mW;
- Peak Wavelength 270-280nm  
308/310/325nm UVB available on request;
- CC & CV solution;
- Connection type: 2060;
- Long life referred to the operation condition;
- LED Indicator module on;
- Customizable current/power.

## Applications



### Safety advices

Some LED UV products emit ultraviolet light (<400nm).  
Don't look at operating LEDs.  
Eye injury may result. Use necessary skin and eyes protection.  
Assume IEC62471 Risk Group 3.



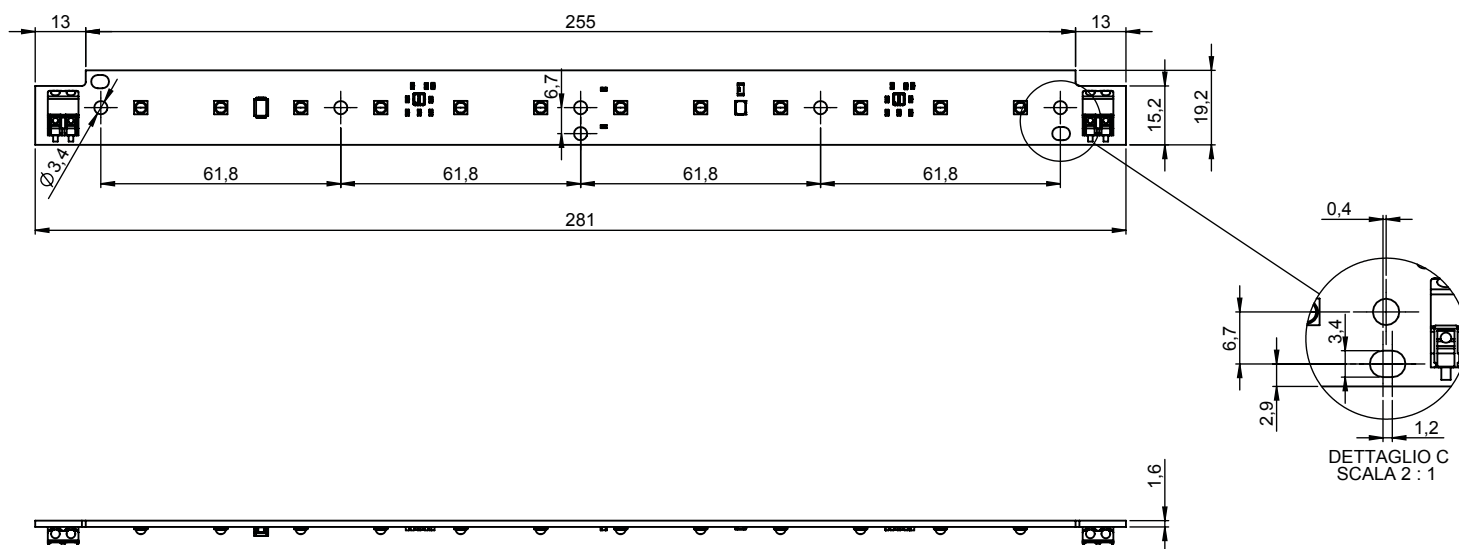
Code	Power class	Vf LED	LED Current [mA]	Voltage [V]	Power [W]	LED Radiant Flux [mW]	Radiant Flux [mW]
R572300UVC01GB	GB-PA	6,2	100 (x4)	24V - CV	9,6	10	120
				18,6V - CC	7,4		
R572300UVC01GT	GT-PA		150 (x4)	24V - CV	14,4	20	250
				18,6V - CC	11,1		
R572300UVC01GM	GM-PA		250 (x4)	24V - CV	24	35	400
				18,6V - CC	18,5		
R572300UVC01GZ	GZ		350 (x4)	24V - CV	33,6	50	560
				18,6V - CC	25,9		



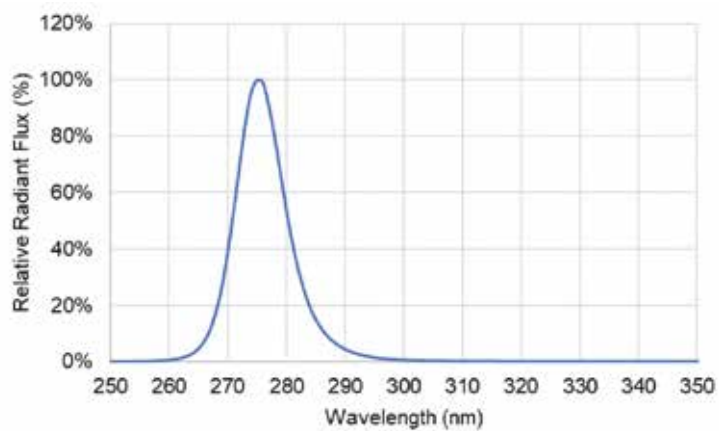
# SpecialRED

UVC linear led module for Violet lens | R5723

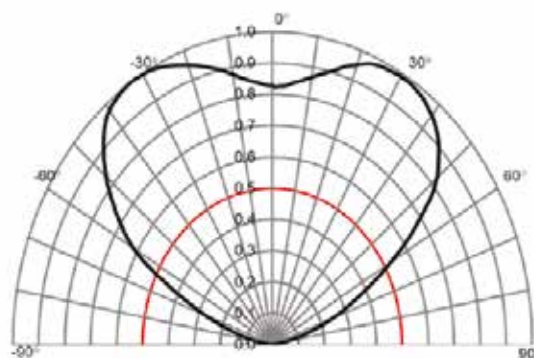
## Mechanical drawing



## Relative spectral distribution



## Radiation characteristics



## Accessories



# SpecialRED

275nm±5 24Vdc UVC led strip



## Features

- 24 Vdc;
- PCB 8mm wide (10mm version available on request);
- 12 LED/m 3737;
- Wavelength: 275nm ±5;
- Lifetime >15,000 hrs 60%;
- Top 45°C max;
- IP20;
- 30 LED/m option available;
- Up to 240mW/m UVC.

## Applications



### Safety advices

Some LED UV products emit ultraviolet light (<400nm). Don't look at operating LEDs. Eye injury may result. Use necessary skin and eyes protection. Assume IEC62471 Risk Group 3.



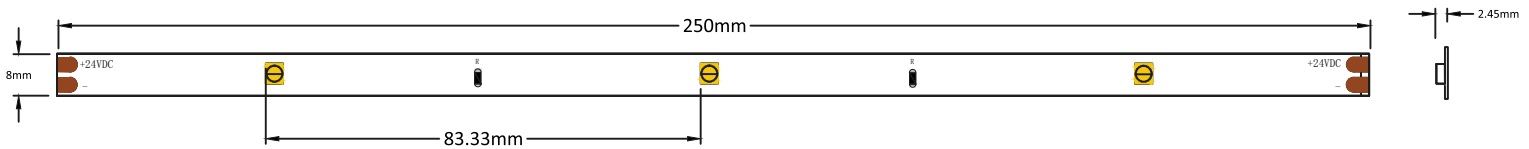
Code	Wavelength	Voltage [V]	LED/m	LED	Power/m [W]	mW/m	mW/LED
U7UVC04BF250N0	275nm	24Vdc	12	URP	3,8	30	2mW
U7UVC04BF250N1			30		11	75	
U7UVC04BF250N3			12	URT	8	96	8mW
U7UVC04BF250N4			30		22	240	
Customization option available	275nm + special wavelength						



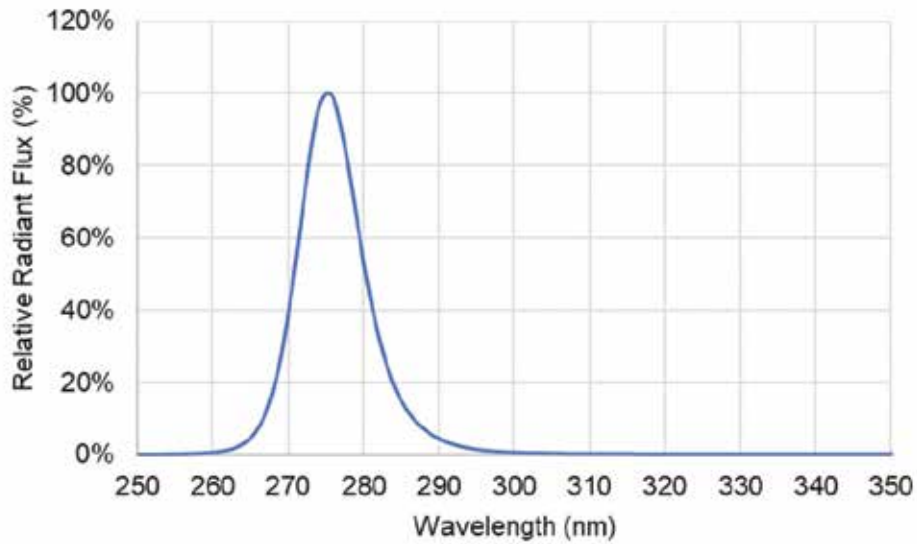
# SpecialRED

275nm±5 24Vdc UVC led strip

## Drawing



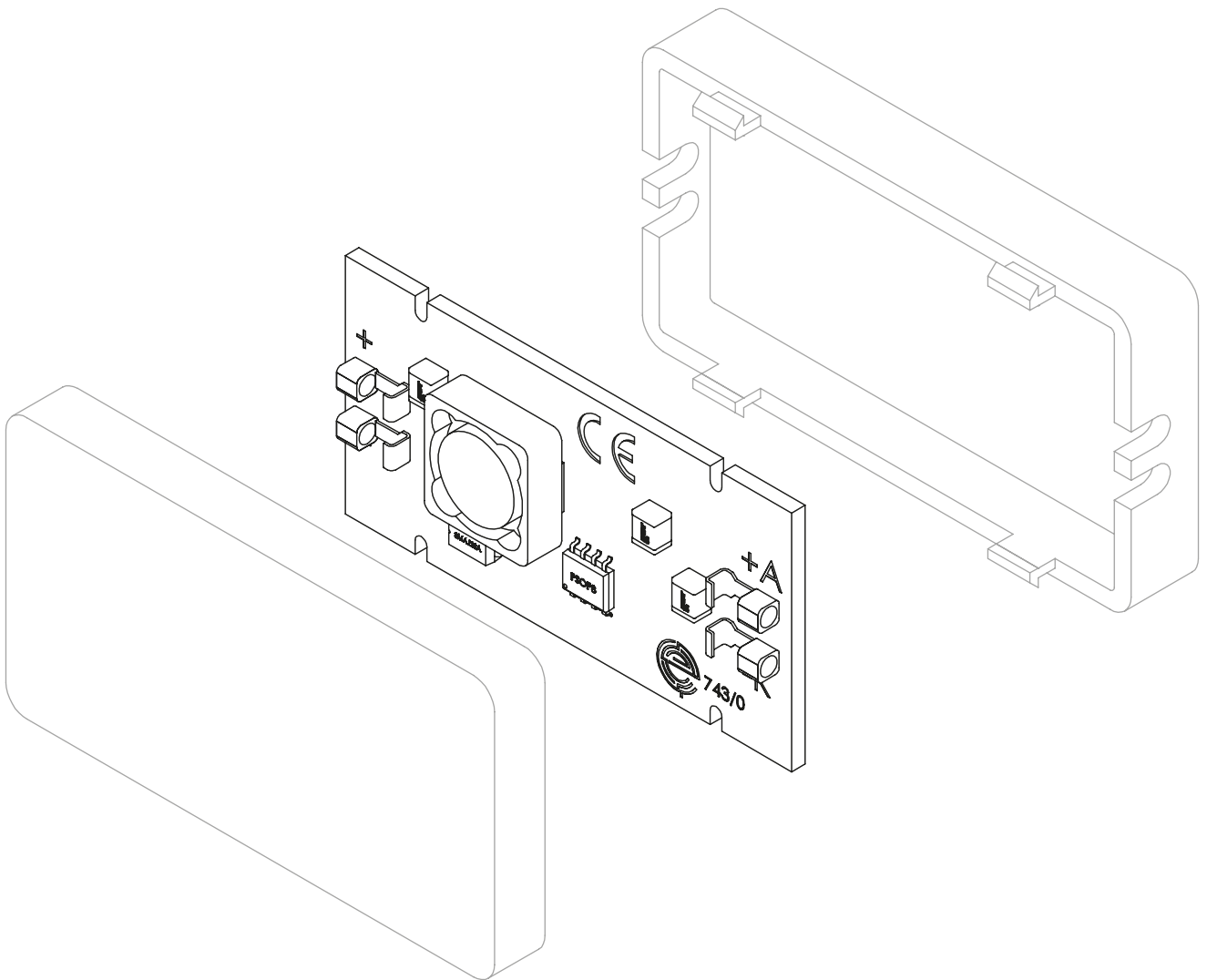
## Relative spectral distribution





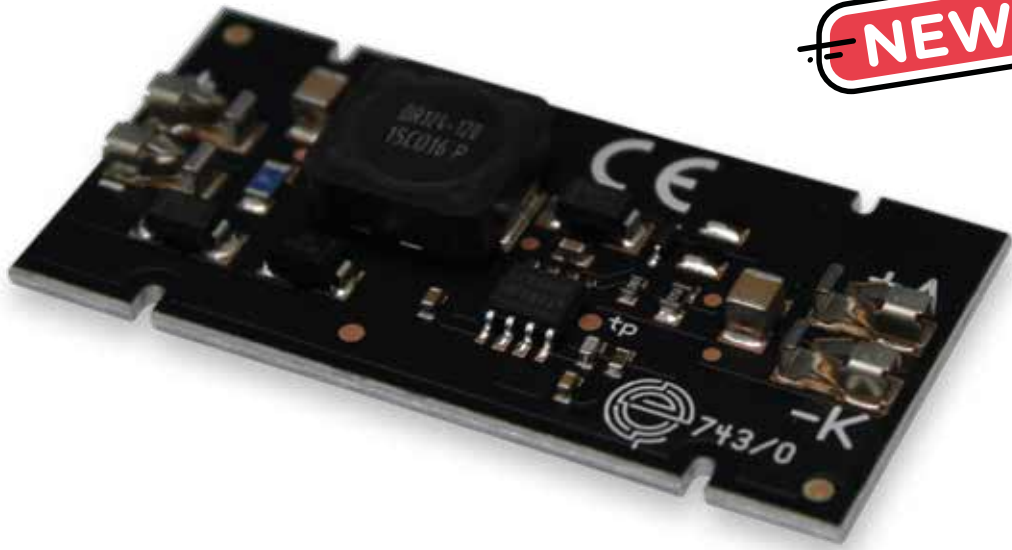
# Special**RED**

Driver modules



# SpecialRED

Step-up converter | R5743



**NEW**

## Features

- PCB dimension: 53x27mm;
- Step up converter with an adjustable current capability;
- Input: 20V to 28V;
- Output: 31V to 36V@ Vin 24Vdc;
- PWM dimming;
- Protected from polarity inversion;
- Open circuit protection;
- Voltage surge protection;
- Use only in dry environments.

## Board features

Material	MCPCB
Solder	Black
<b>Connections</b>	
Cable	Optional
Connector	AVX 70-9296 2.5mm Poke Home
<b>Conditions</b>	
Max. temp. (Tc)	90°C
Operating temp. Range	-40°C to +85°C

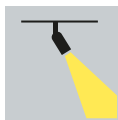
## Applications



Indoor



Commercial



Spotlight

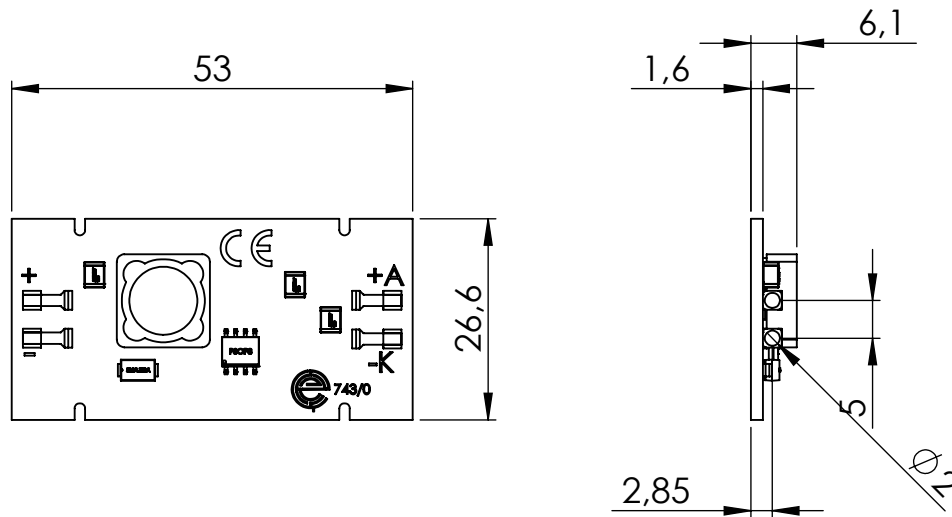
Code	Power Supply [Vdc]	Output current [mA]	Power output [W]	Dimension [mm]
R574300DRIV100	20-28 Vdc	1400	50,4 @24Vdc	53x26,6x6,1mm



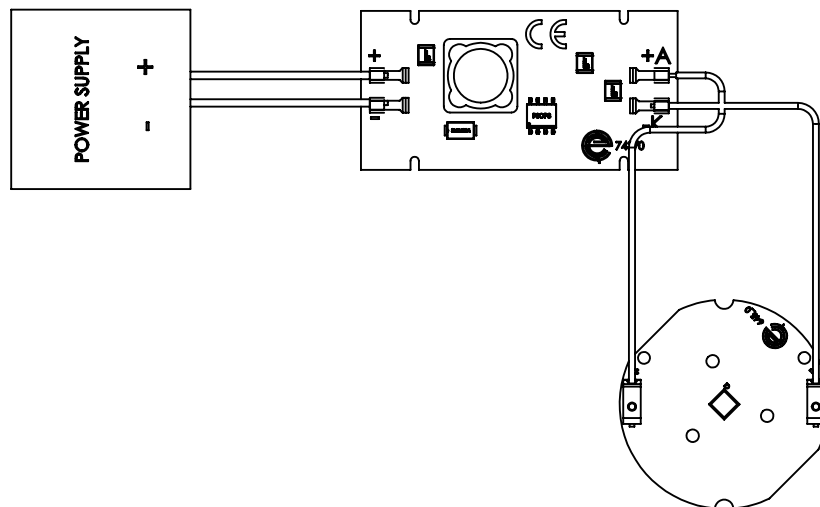
# SpecialRED

Step-up converter | R5743

## Mechanical drawing



## Wiring diagram



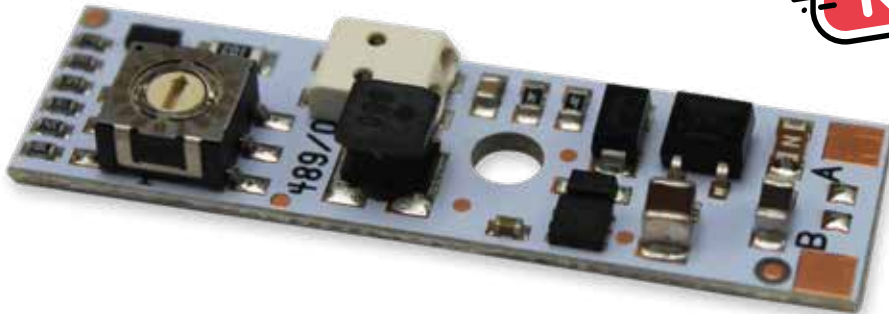
## Product kit





# SpecialRED

Programmable and dimmable LED driver for Stucchi track adapters | R5489



## Features

- PCB dimension: 47,6x14 mm;
- Compatible with low voltage electrified rails, Multisystem Stucchi series or similar versions;
- Step-down converter;
- Programmable current output @150/900mA;
- Input voltage: 19V to 51V;
- Output voltage: min 6.5V;
- PWM Dimming on request;
- WAGO 2059 series 2 pole;
- Protected against voltage peaks and short circuit;
- Use only in dry environments.

## Board features

Material	Aluminum
Solder	White
<b>Connections</b>	
Cable	Optional
Connector	Wago 2059 series 2 Pole
<b>Conditions</b>	
Max. temp. (Tc)	90°C
Operating temp. Range	-40°C to +85°C

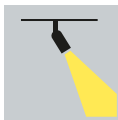
## Applications



Indoor



Commercial



Spotlight

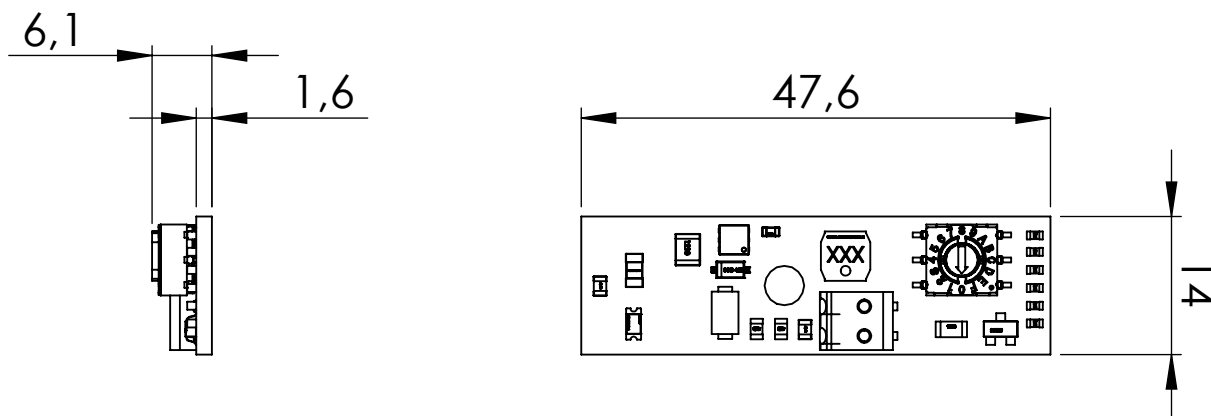
Code	Power Supply [Vdc]	Output current [mA]	Power output [W]	Dimension [mm]
R548911DRV1100	24-48 Vdc	150-900	0,97-43,2	47,6x14x6,1mm
R548911DRV1101	24-48Vdc	350	8,4-16,8	



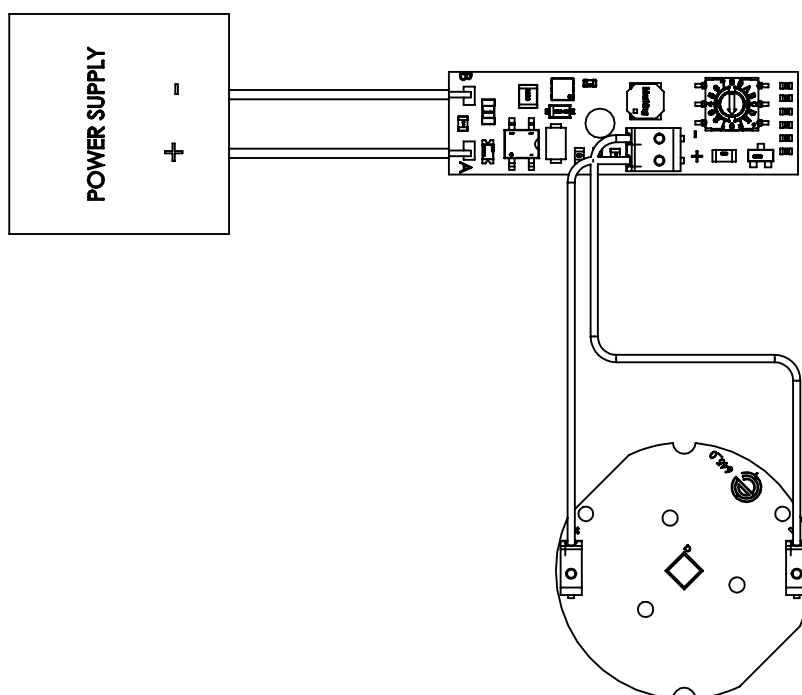
# SpecialRED

Programmable and dimmable LED driver for Stucchi track adapters | R5489

## Mechanical drawing



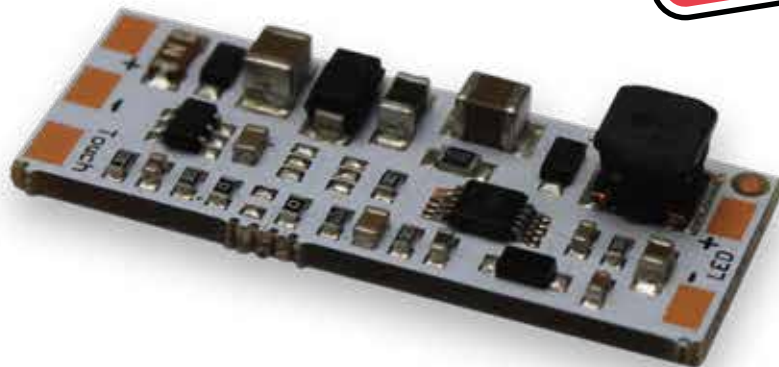
## Wiring diagram



# SpecialRED

Touch control dimmer | R5695

**NEW**



## Features

- PCB dimension: 35x18,5mm;
- Dimmable touch drive;
- Input voltage: 24Vdc;
- Output: 12Vdc@0,5A;
- Other current set available on request;
- Protection against reverse polarity and overvoltage.

## Board features

Material	FR4
Solder	White
<b>Conditions</b>	
Max. temp. (Tc)	90°C
Operating temp. Range	-40°C to +85°C

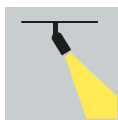
## Applications



Indoor



Commercial



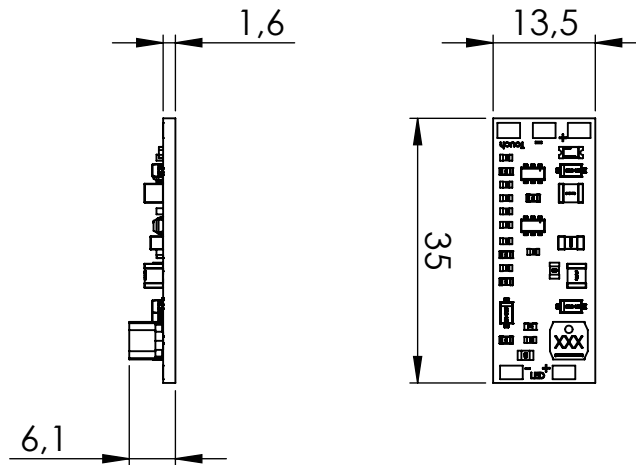
Spotlight

Code	Power Supply [Vdc]	Output current [mA]	Power output [W]	Dimension [mm]
R569510DRIV100	24 Vdc	500	6	35x13,5x6,1mm

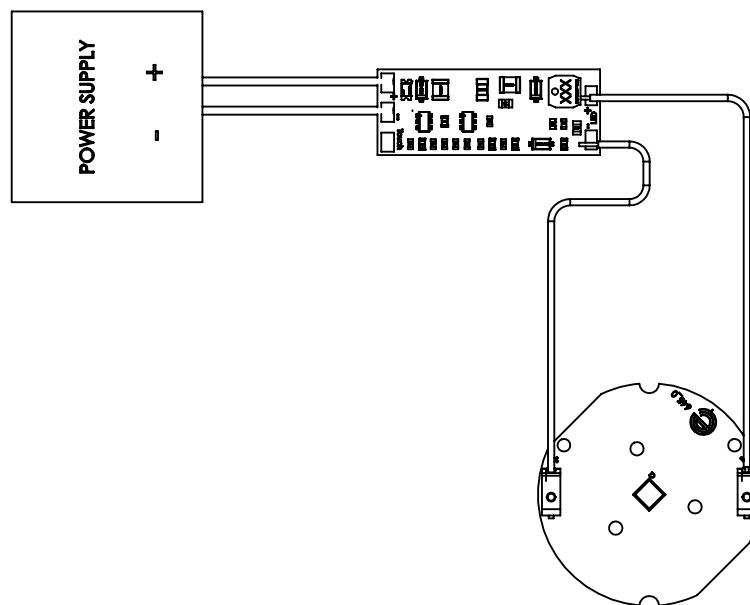
# SpecialRED

Touch control dimmer | R5695

## Mechanical drawing



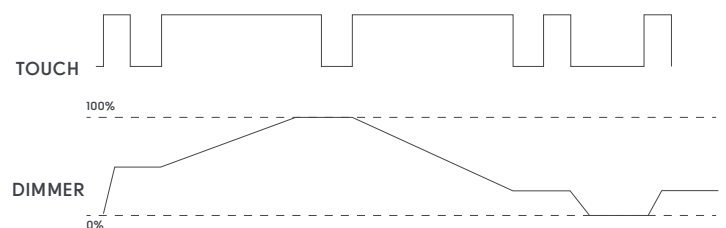
## Wiring diagram



## Operation

- From off: immediate touch ignition with a fade in; extending the touch, the brightness gradually increases until the dimmer is released or 100%.
- From on: alternating extended touches, the brightness increases or decreases from 100% to 10%.
- From on: at the release of a short touch, the luminaire turns off with a fade out.
- Turning the luminaire back on resets the same brightness level as when it was last turned off.

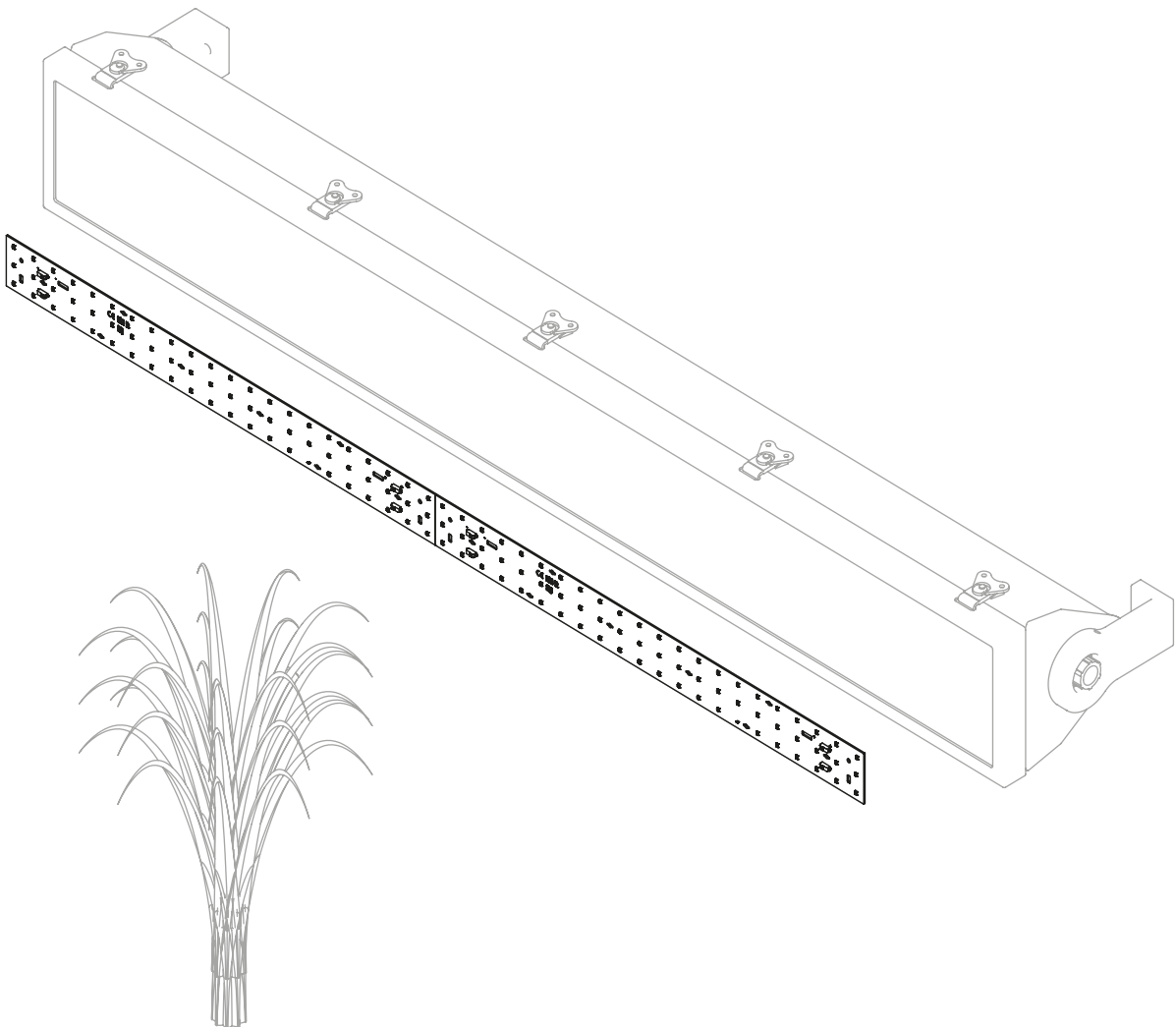
## Operation diagram





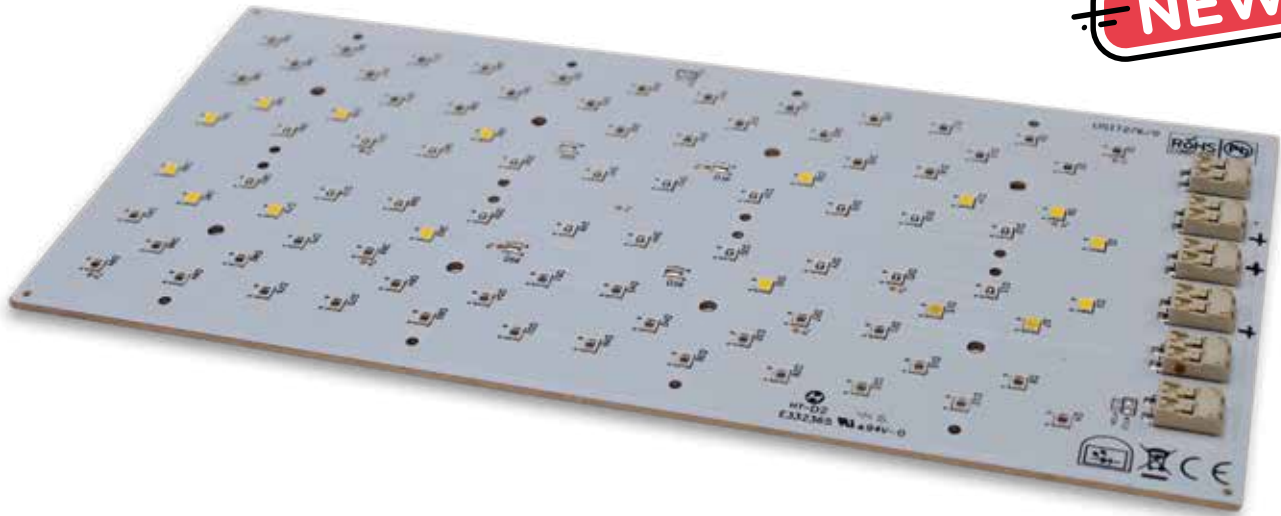
# Special**RED**

Horticulture lighting



# SpecialRED

LED module for horticulture lighting | R5276



## Features

- PCB dimension: 232x110mm;
- Mid-Power LED platform;
- 3 + 1 channels;
- Max Electrical Insulation 250V cascable;
- Connection type: Molex S-Poke 4mm 2pole;
- Lifetime >60000h.

## Applications



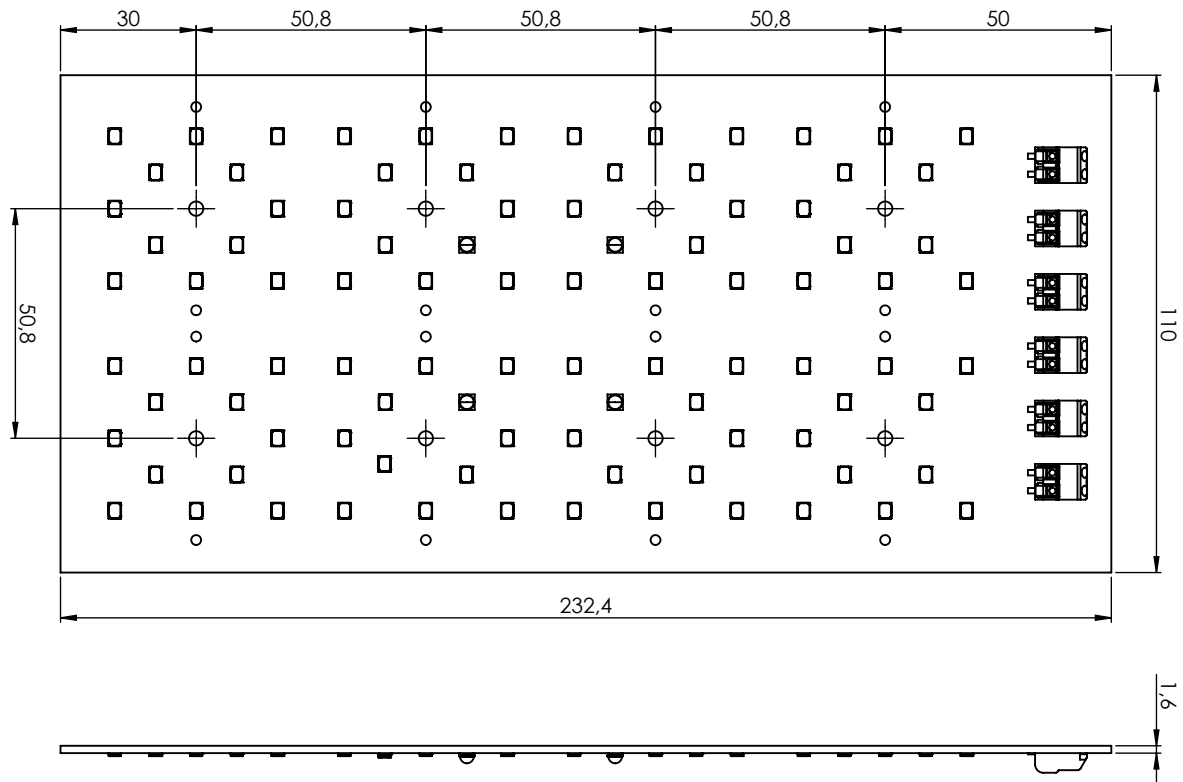
Code	LED	LED qty	IF (mA) LED	VF [V]	Id set	Color-Peak wavelength λp (nm)	Typ. PPF (μ mole/s)	Total PPF (μ mole/s)	
R527601HORT	4000K	20	150	24	300mA s8p2	-	0,78	16	
	Blue	16		16	600mA s5p4	450	0,78	12	
	Hyper Red/ Deep Red	54		20	900mA s9p6	660	0,72	39	
	LED options								
	UVA 3535 Power	0	700	3,2	-	420	na	0	
	Far Red/Cherry RED	0	150	2,2	-	740	0,30	0	
	Lime	0	150	3,2	-	-	0,90	0	
	Blue 5%	0	150	3,2	-	-	0,59	0	
	Blue 10%	0	150	3,2	-	-	0,72	0	
	Blue 15%	0	150	3,2	-	-	0,73	0	
Blue 20%	0	150	3,2	-	-	0,74	0		
Blue 30%	0	150	3,2	-	-	0,76	0		



# SpecialRED

LED module for horticulture lighting | R5276

## Mechanical drawing



## Accessories



## Lenses

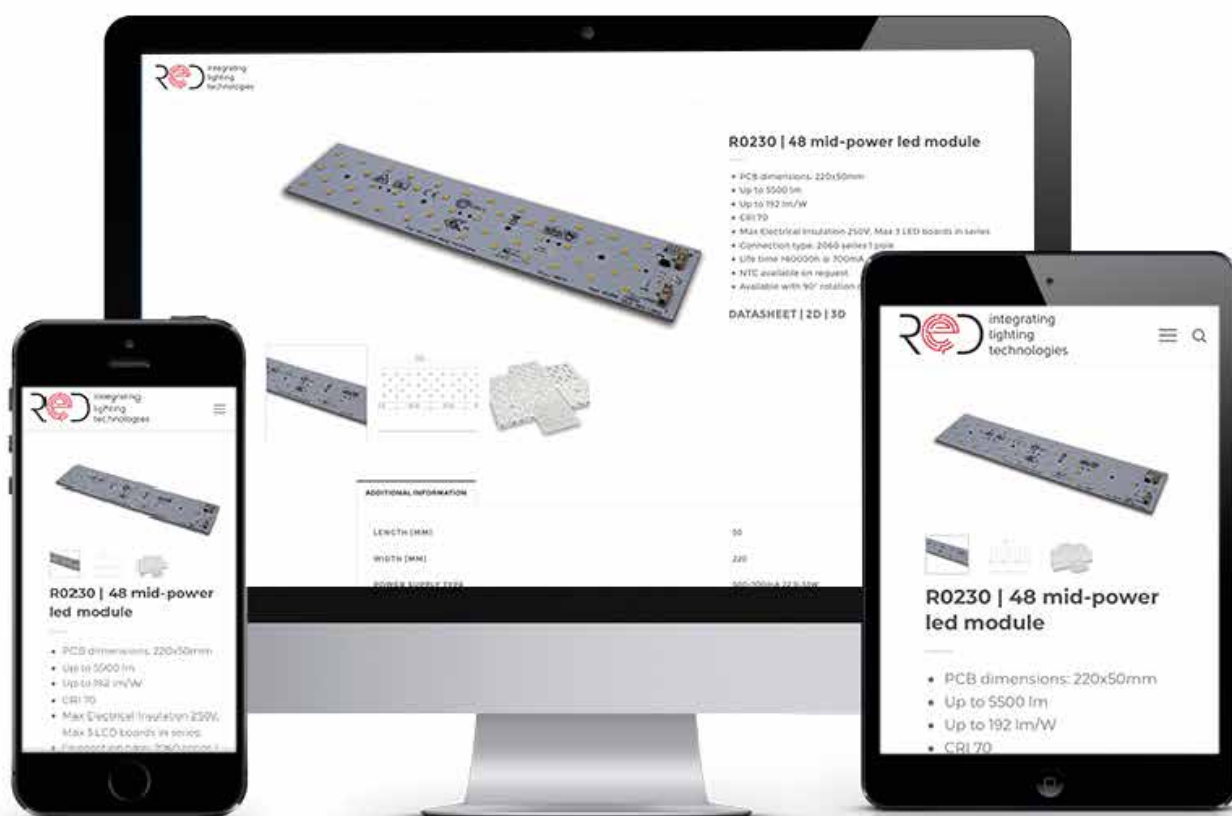
Part number	Beam angle
LL12ZZ-CRC10L19	10°
LL12ZZ-CRC25L19	25°
LL12ZZ-CRC55L19	55°
LL12ZZ-CRC90L19	90°
LL12ZZ-CRC40135L19 (Type I-Short)	40° x 135°
LL12ZZ-CRC45145L19 (Type II-Short)	45° x 145°
LL12ZZ-CRC45155L19 (Type II-Medium)	45° x 155°
LL12ZZ-CRC60145L19 (Type III-Short)	60° x 145°
LL12ZZ-CRC60145L19 (Type III-Short)	60° x 155°
LL12ZZ-CRC75140L18 (Type IV-Short)	75° x 140°
LL12ZZ-CRC150L19	150°



# RED MODULES ONLINE CATALOGUE

A quick and easy way to explore RED products from anywhere in the world.

You can find it at [catalogue.redilt.it](http://catalogue.redilt.it)!



- **Pagine di prodotto complete di:**
  - immagini ad alta risoluzione (modulo, disegno meccanico, accessori);
  - principali caratteristiche;
  - datasheet, file 2D e 3D scaricabili.
- Prodotti aggiornati in tempo reale.
- Informazioni sui prodotti accessibili con pochi click.
- Interfaccia responsive per un miglioramento della customer experience.
- Possibilità di ricerca per codice prodotto o keyword.
- Filtri per dimensione e per range di corrente e di potenza.

- **Product pages complete with:**
  - high resolution pictures (module, mechanical drawing, accessories);
  - main features;
  - downloadable datasheet, 2D and 3D files.
- Real-time products updates.
- Products information accessible in just a few clicks.
- Responsive user interface for a better customer experience.
- Possibility of searching by product reference or keywords.
- Size, current and power ranges filters available.

## PRODUCT NOMENCLATURE

### CATALOGUE CODE

R 0 229 0 0 57 80 2 00



product family

project number

PCB material

PCB colour

CCT

CRI

PCB version

Led Board setup

### LED type

#### PRODUCT FAMILY

- 0 LightMAX
- 1 LineMAX
- 2 DecoMAX
- 3 DotMAX
- 4 FlatMAX
- 5 SpecialRED

#### PCB MATERIAL

- 0 Alluminio
- 1 FR4
- 2 CEM-3
- 3 ...
- 4 ...
- 5 ...

#### PCB COLOUR

- 0 Nero
- 1 Bianco
- 2 Grigio
- 3 ...
- 4 ...
- 5 ...

#### LED TYPES

- UV (UVA/UVB/UVC)
- RGBW
- White

RED – Integrating Lighting Technologies è un marchio di  
Universal Science srl - Società con unico socio

Società soggetta all'attività di direzione e coordinamento di Red Systems srl - Società con unico socio

COMPANY WITH  
QUALITY SYSTEM  
CERTIFIED BY DNV  
ISO 9001