

DecoMAX

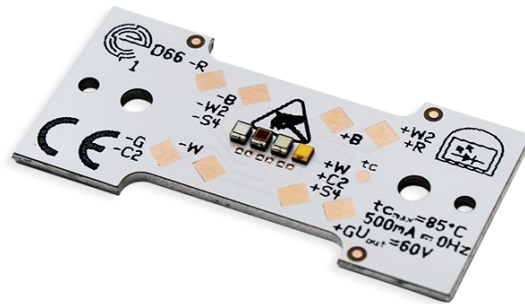
R2D66

LED module for LEDiL CORAL-IP



5 YEARS WARRANTY

CC CONSTANT CURRENT



FEATURES

- Available options: RGBW, White, Tunable White
- PCB dimension: 48x23mm
- Up to 774 lm
- Up to 149 lm/W
- CRI 80, 90
- Max Electrical Insulation 60Vdc
- Max 17 LED boards in series @S1P4
- Connection type: solder pads
- Lifetime White > 60000h @180mA Tp85°C
- Lifetime RGB > 36000h @1000mA Tp85°C

APPLICATIONS



Architectural



Color Mixing



Decorative



Indoor

DecoMAX

R2D66

LED module for LEDiL CORAL-IP



5 YEARS WARRANTY

CC CONSTANT CURRENT

RGBW VERSION

Code	CCT	CRI	Current [mA]	Voltage [V]					Total Power [W]	Lumen [lm]					Lm/W	Energy Efficiency
				R	G	B	W	TOT		R	G	B	W	TOT		
R2D6601RGBW	3000K	90	500	2.3	2.6	2.9	2.8	10.6	5.3	68	196	60	148	472	106	F
	4000K		500	2.3	2.6	2.9	2.8	10.6	5.3	68	196	60	160	484	115	F

Flux tolerance +/- 10%
Vf Tolerance +/- 5%

Ask for more information about available LED and other options.

WHITE VERSION

Code	CCT	CRI	Current [mA]	Voltage [V]	Power [W]	Total Lumen [lm]	Lm/W	Energy Efficiency
R2D66012780	2700K	80	350	11	3.8	488	128	E
			500	11.1	5.5	674	122	E
R2D66013080	3000K		350	11	3.8	520	137	E
			500	11.1	5.5	718	130	E
R2D66014080	4000K		350	11	3.8	561	148	D
			500	11.1	5.5	774	141	E

Flux tolerance +/- 10%
Vf Tolerance +/- 5%

Ask for more information about available LED and other options.

TUNABLE WHITE VERSION

Code	CCT	CRI	Current [mA]	Voltage [V]	Power [W]	Total Lumen [lm]	Lm/W	Energy Efficiency
R2D6601TW80	2700K	80	350	5.5	1.9	244	128	E
			500	5.6	2.8	337	120	E
	5000K		350	5.5	1.9	283	149	D
			500	5.6	2.8	390	139	E

Flux tolerance +/- 10%
Vf Tolerance +/- 5%

Ask for more information about available LED and other options.

DecoMAX

R2D66

LED module for LEDiL CORAL-IP



5 YEARS WARRANTY

CC CONSTANT CURRENT

LED and board features	
LED number	4 (RGBW)
LED type	2016
Circuit	4xS1P1 (all white S4P1 or tunable white S2P2)
Material	Aluminium
Solder	White
Connections	
Cable	On request
Power	
Abs. Max Input current CC	700mA
Mechanical Data	
L x H	48x23mm
Thickness	1.6mm
Conditions	
Max. temp. (Tp)	+95°C
Max. temp. (Tc)	+85°C
Operating temp. Range	-35°C +60°C

DecoMAX

R2D66

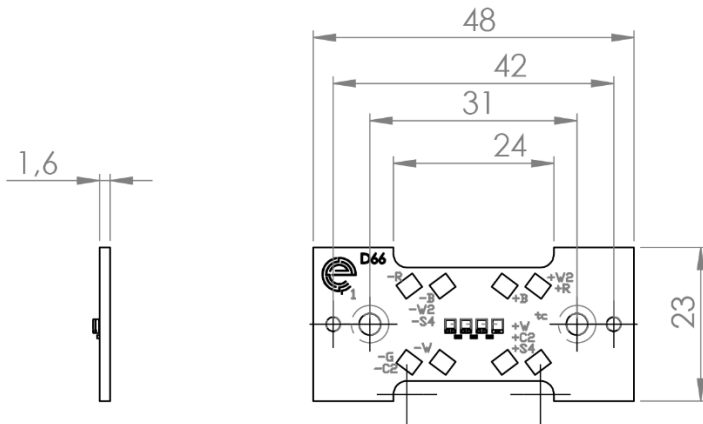
LED module for LEDiL CORAL-IP

5 YEARS WARRANTY

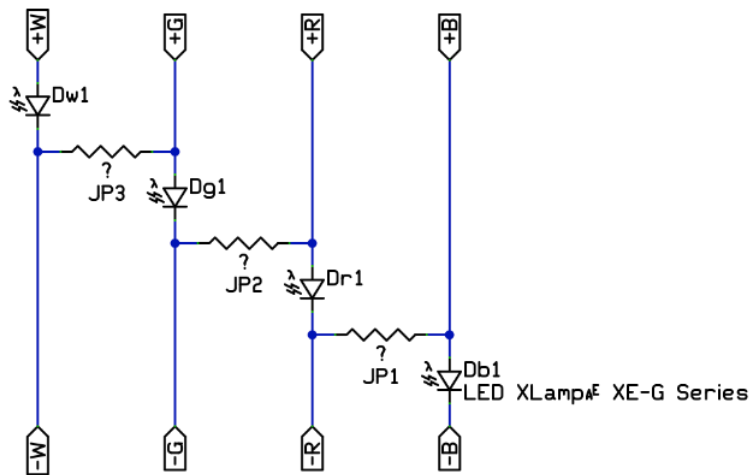


CC CONSTANT CURRENT

MECHANICAL DRAWING



ELECTRICAL CIRCUIT



DecoMAX

R2D66

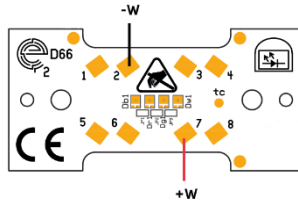
LED module for LEDiL CORAL-IP

5 YEARS WARRANTY

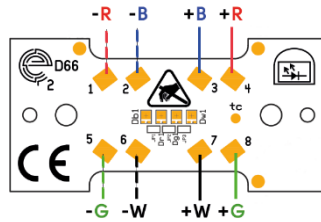


CC CONSTANT CURRENT

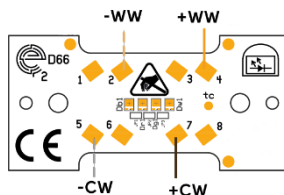
WIRING CONFIGURATION



White S4P1	
+W	pin 7
-W	pin 2



RGBW 4xS1	
+W	pin 7
-W	pin 6
+G	pin 8
-G	pin 5
+R	pin 4
-R	pin 1
+B	pin 3
-B	pin 2



Tunable White 2xS2P1	
+WW	pin 4
-WW	pin 2
+CW	pin 7
-CW	pin 5

DecoMAX

R2D66

Accessories: LEDiL CORAL-IP lens

5 YEARS WARRANTY



CC CONSTANT CURRENT



Specifications: LEDiL CORAL-IP	
Models	CORAL-IP-OW
Material	PC + ABS
Ingress protection classes	IP66, IP67
Type	Windowsill lens
Efficiency	Up to 55%
Operating Temperature	-40°C ~ +110°C