

# LineMAX

R1C50

*24 LEDs linear module for Daline lens*

**5** YEARS WARRANTY



**CC** CONSTANT CURRENT

**CV** CONSTANT VOLTAGE



## FEATURES

- PCB dimension: 280x12mm
- Up to 2580 lm
- Up to 177 lm/W
- CRI 80, 90
- Max Electrical Insulation 60Vdc
- Max 2 LED boards in series
- Max LED boards in parallel based on power supply type
- Lifetime > 60.000h @ 85°C 500mA
- Both CC and 24V CV versions available
- Designed for LEDiL Daline lens

## APPLICATIONS



Indoor



Commercial



Office

# LineMAX

R1C50

24 LEDs linear module for Daline lens

**5** YEARS WARRANTY



**CC** CONSTANT CURRENT

**CV** CONSTANT VOLTAGE

## CC VERSION

Code	CCT	CRI	Current [mA]	Voltage [V]	Power [W]	Total Lumen [lm]	Lm/W	Energy Efficiency
RIC50013080	3000K	80	350	21.7	7.6	1259	165	D
			700	22.3	15.6	2399	154	D
RIC50014080	4000K		350	21.7	7.6	1349	177	C
			700	22.3	15.6	2580	165	D
RIC50013090	3000K	90	350	21.7	7.6	976	128	E
			700	22.3	15.6	1868	119	E
RIC50014090	4000K		350	21.7	7.6	976	128	E
			700	22.3	15.6	1868	119	E

Flux tolerance +/- 7%  
Vf Tolerance +/- 5%

Ask for more information about available LED and other options.

## CV VERSION

Code	CCT	CRI	Current [mA]	Voltage [V]	Power [W]	Total Lumen [lm]	Lm/W	Energy Efficiency
RIC50013080	3000K	80	250	24	6	905	151	D
			500		12	1762	147	D
RIC50014080	4000K		250		6	972	162	D
			500		12	1893	158	D
RIC50013090	3000K	90	250		6	704	117	F
			500		12	1371	114	F
RIC50014090	4000K		250		6	704	117	F
			500		12	1371	114	F

Flux tolerance +/- 7%  
Vf Tolerance +/- 5%

Ask for more information about available LED and other options.

# LineMAX

R1C50

*24 LEDs linear module for Daline lens*

**5** YEARS WARRANTY



**CC** CONSTANT CURRENT

**CV** CONSTANT VOLTAGE

LED and board features	
LED number	24
LED type	CSP
Circuit	S8P3
Material	Aluminium
Solder	White
Power	
Abs. Max Input current CC	1050mA
Mechanical Data	
L x H	279x11.7mm
Thickness	3.3mm
Conditions	
Max. temp. (Tp)	+95°C
Max. temp. (Tc)	+85°C
Operating temp. Range	-35°C +60°C

# LineMAX

R1C50

24 LEDs linear module for Daline lens

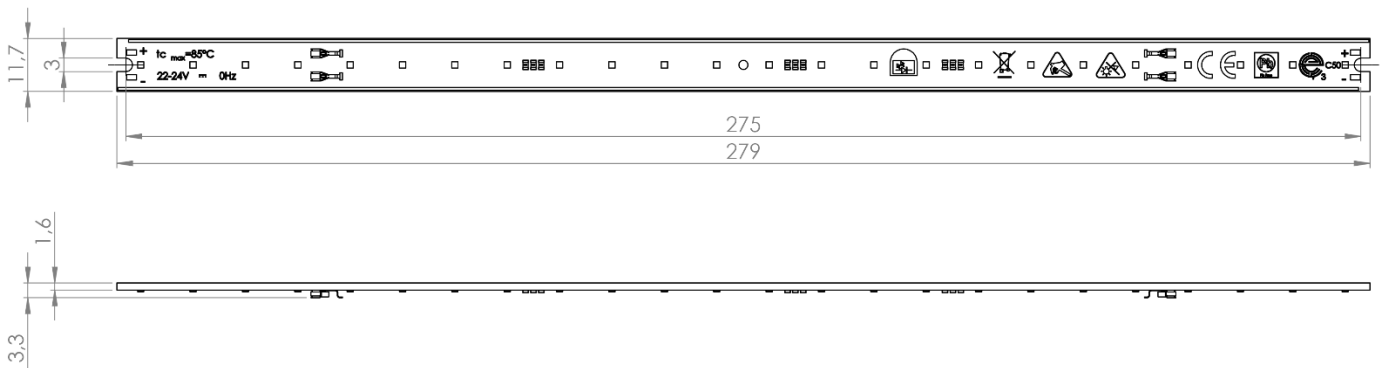
**5** YEARS WARRANTY



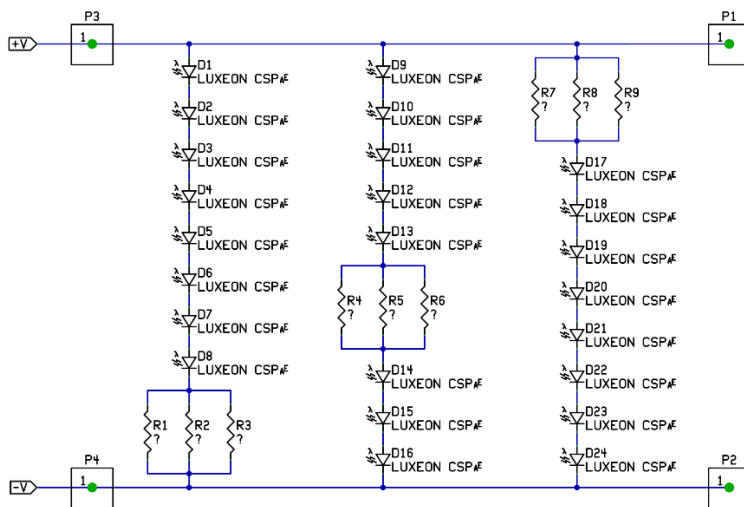
**CC** CONSTANT CURRENT

**CV** CONSTANT VOLTAGE

## MECHANICAL DRAWING



## ELECTRICAL CIRCUIT



# LineMAX

R1C50

*Accessories*

**5** YEARS WARRANTY



**CC** CONSTANT CURRENT

**CV** CONSTANT VOLTAGE



LED optics: DALINE-10	
Models	DALINE-10-M DALINE-10-W DALINE-10-O DALINE-10-WW DALINE-10-WAS (w/ a dedicated profile)
Dimension	280 x 12,5 mm
Material	Lens: PMMA; Shade: PC
Operating temperature	40°C ~ +70°C / -40°C ~ +110°C
Efficiency	Up to 90%
Aluminium profile for downlight: TP-20 DALINE-10	
Dimension (HxW)	20mm x 15mm - Supplied in 2500mm sections / other lengths on demand
Material/Finish	Extruded aluminium profile
Colors	Black / White anodized