

LineMAX

R1886

280mm LED module for Daisy 7x1 and Brianna

5 YEARS WARRANTY



CC CONSTANT CURRENT



FEATURES

- PCB dimension: 280x24mm
- Up to 2234 lm
- Up to 203 lm/W
- CRI 80, 90
- Max Electrical Insulation 250V
- Max 10 LED boards in series
- Connection type: AVX 2,5mm
- Long lifetime up to 72000h (LED LM80 available on request)
- Suitable for LEDiL Daisy 7x1 and Brianna
- Different options available:
 - o **280x24mm**
Series connection – White and TW (code: R1886)
Parallel connection – White (code: R1E08)
 - o **560x24mm**
Series connection – White and TW (code: R1B93)
Parallel connection – White (code: R1E09)

APPLICATIONS



Indoor



Commercial



Office

LineMAX

R1886

280mm LED module for Daisy 7x1 and Brianna

5 YEARS WARRANTY



CC CONSTANT CURRENT

Performance type HEF

Code	CCT	CRI	Current [mA]	Voltage [V]	Power [W]	Total Lumen [lm]	Lm/W	Energy Efficiency
R1886113080	3000K	80	400	18.8	7.5	1405	187	C
			600	19.3	11.6	2059	177	C
R1886114080	4000K		400	18.8	7.5	1524	203	B
			600	19.3	11.6	2234	193	C
R1886113090	3000K	90	400	18.8	7.5	1285	171	D
			600	19.3	11.6	1883	162	D
R1886114090	4000K		400	18.8	7.5	1305	174	C
			600	19.3	11.6	1913	165	D

Flux tolerance +/- 10%
Vf Tolerance +/- 5%

Ask for more information about available LED and other options.

Performance type STD

Code	CCT	CRI	Current [mA]	Voltage [V]	Power [W]	Total Lumen [lm]	Lm/W	Energy Efficiency
R1886113080	3000K	80	400	19.4	7.8	1348	173	C
			600	19.9	11.9	1954	164	D
R1886114080	4000K		400	19.4	7.8	1403	180	C
			600	19.9	11.9	2033	171	D
R1886113090	3000K	90	400	19.4	7.8	1129	145	E
			600	19.9	11.9	1635	137	E
R1886114090	4000K		400	19.4	7.8	1207	155	D
			600	19.9	11.9	1749	147	D

Flux tolerance +/- 10%
Vf Tolerance +/- 5%

Ask for more information about available LED and other options.

LineMAX

R1886

280mm LED module for Daisy 7x1 and Brianna

5 YEARS WARRANTY



CC CONSTANT CURRENT

LED and board features	
LED number	28
LED type	2835
Circuit	S7P4
Material	FR4
Solder	White
Connections	
Cable	AWG 18 - 26
Connector	AVX 2.5mm (70-9296-001-025-016)
Power	
Abs. Max Input current CC	700mA
Mechanical Data	
H x L	279x23,6mm
Thickness	4,1mm
Conditions	
Max. temp. (Tp)	+95°C
Max. temp. (Tc)	+85°C
Operating temp. Range	-35°C +60°C

LineMAX

R1886

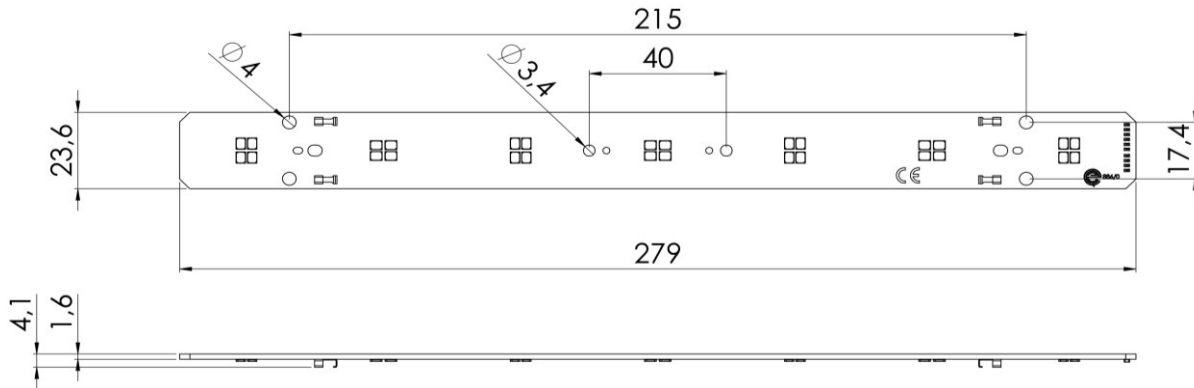
280mm LED module for Daisy 7x1 and Brianna

5 YEARS WARRANTY

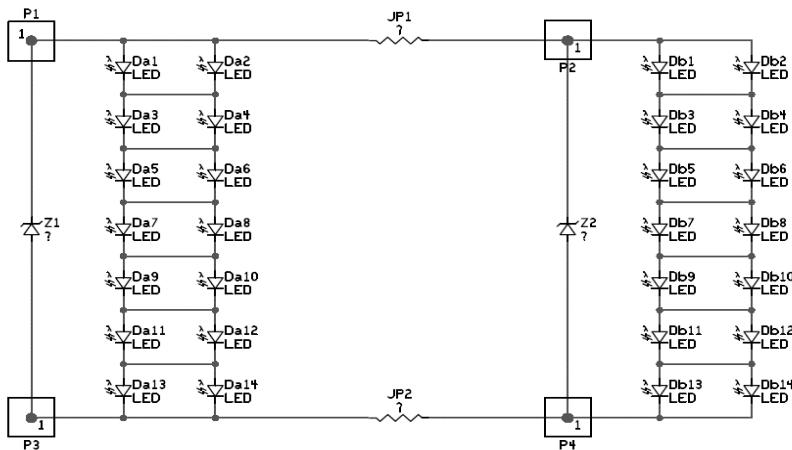


CC CONSTANT CURRENT

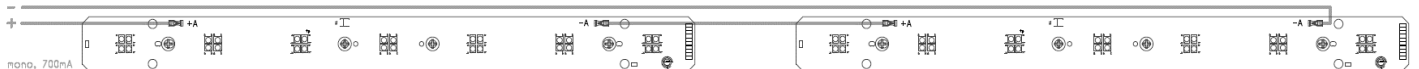
MECHANICAL DRAWING



ELECTRICAL CIRCUIT



WIRING FOR SERIES CONNECTION SYSTEM



LineMAX

R1886

Accessories: LEDiL Daisy 7x1 lens, symmetrical beam

5 YEARS WARRANTY



CC CONSTANT CURRENT



Specifications: LEDiL DAISY-7X1 series	
Compatible models	WW, W, W2, WW-D, W-D, W2-D, O, O-D, ZT-25, M, ZT25-D, M-D, FT-D, BW
Material	Lens – PMMA; Shade – PC
Type	Linear 7in1
Efficiency	>90%
Operating Temperature	PMMA: -40°C ~ +70°C; PC: -40°C ~ +110°C

LineMAX

R1886

Accessories: LEDiL Brianna lens

5 YEARS WARRANTY



CC CONSTANT CURRENT



Specifications: LEDiL BRIANNA series	
Compatible models	WW, W
Material	Lens – PMMA; Shade – PC
Type	Linear 7x1
Efficiency	>90%
Operating Temperature	PMMA: -40°C ~ +70°C; PC: -40°C ~ +110°C