

LightMAX

R0349

32 power LED module



7 YEARS WARRANTY

CC CONSTANT CURRENT



FEATURES

- PCB dimension: 164x151mm
- Up to 16778 lm
- Up to 193 lm/W
- CRI 70, 80
- Max Electrical Insulation 500V
- Max 5 LED boards in series
- Connection type: WAGO 2060 2P
- Lifetime >60.000h @750mA Ts=85°C

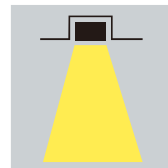
APPLICATIONS



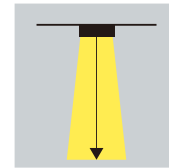
Street



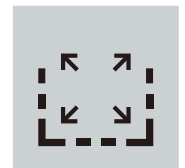
Industrial



Downlight



High Bay



Area

LightMAX

R0349

32 power LED module



7 YEARS WARRANTY

CC CONSTANT CURRENT

Code	CCT	CRI	Current [mA]	Voltage [V]	Power [W]	Total Lumen [lm]	Lm/W	Energy Efficiency
R0349011870	1800K	70	700	89.3	62.5	8501	136	E
			1000	91.7	91.7	11804	129	E
R0349012770	2700K		700	89.3	62.5	11258	180	C
			1000	91.7	91.7	15633	170	D
R0349013070	3000K		700	89.3	62.5	11557	184	C
			1000	91.7	91.7	16048	175	C
R0349014070	4000K		700	89.3	62.5	12083	193	C
			1000	91.7	91.7	16778	183	C
R0349015070	5000K		700	89.3	62.5	12083	193	C
			1000	91.7	91.7	16778	183	C
R0349014080	4000K	80	700	89.3	62.5	10917	175	C
			1000	91.7	91.7	15160	165	D

Flux tolerance +/- 10%
Vf Tolerance +/- 0,5Volt

Ask for more information about available LED and other options.

LightMAX

R0349

32 power LED module

7 YEARS WARRANTY




CC CONSTANT CURRENT

LED and board features	
LED number	32
LED type	5050
Circuit	S16P2
Material	Aluminium
Solder	WHITE OR MATT BLACK (on request)
Connections	
Cable	0.2-0.75mm ² 24-18 AWG
Connector	1x WAGO 2060 2P
Power	
Abs. Max Input current CC	1200mA
Mechanical Data	
H x L	164x151
Thickness	5,55mm
Conditions	
Max. temp. (Tp)	+105°C
Max. temp. (Tc)	+95°C
Operating temp. Range	-35°C +60°C

LightMAX

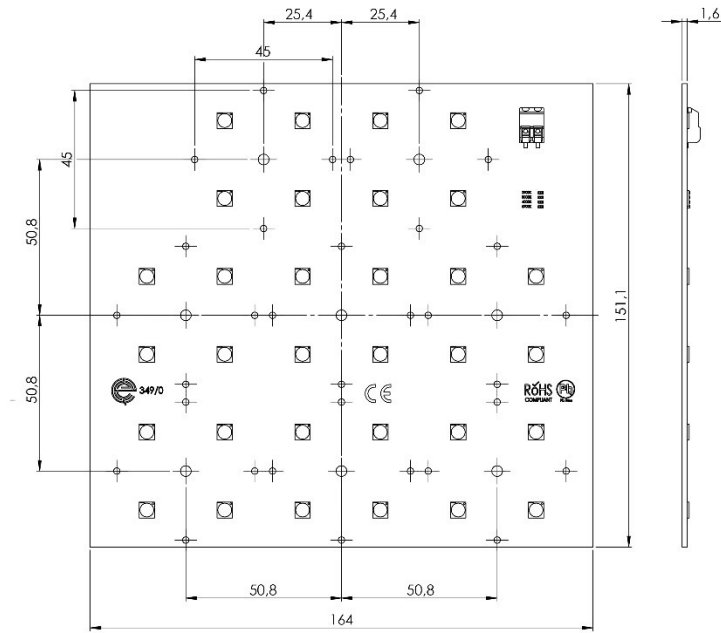
R0349

32 power LED module

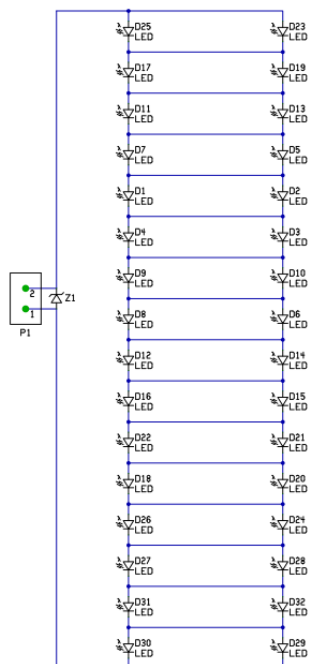
7 YEARS WARRANTY

CE ROHS COMPLIANT
CC CONSTANT CURRENT

MECHANICAL DRAWING



ELECTRICAL CIRCUIT



ASSEMBLY AND SAFETY INFORMATION

The LED modules are designed to be incorporated in a final appliance. Installation must be carried out under observation of the relevant regulations and standards. Installation must be carried out in a voltage-free state (i.e. disconnected from the mains). Additionally, the following advice must be observed; non-observance can result in electrical, mechanical and/or fire hazards.

- ESD (electrostatic discharge) protection measures must be observed when handling and installing the LED modules.
- Transient protection measures (as per IEC 61000-4-5), especially for outdoor applications, must be observed (e.g. SPD).
- Adequate anti-static electricity measures, including the use of conductive shoes, ionizers, work bench grounding, wrist straps, flooring and stools should be used.
- LED assembly modules must not be subjected to any undue mechanical stress, e.g.:
 - Do not treat as bulk cargo.
 - Avoid sharing and compressive forces during handling and installation.
 - Do not damage circuit paths.
 - Avoid any pressure on the light emitting surface.
- Safe operation is only possible using proper external sources (e.g: constant current sources - I_{max}. see table "Electrical Characteristics").
- Operate only with power supply units that feature the following protection:
 - Short-circuit protection
 - Overload protection
 - Overheating protection
- The module can be fixed with M3 screws. They are recommended to be fixed only with flat or cylinder head screws (M3) (no countersunk screws – if not differently specified). Max. torque: 1.2 Nm (M3)
- Please ensure the correct polarity of the leads prior to applying power. Reversed polarity can destroy the modules.
- For interconnection, the LED modules are usually equipped with push-in terminals. Custom connectors are available upon request during the project bidding stage.
- General Safety regulations acc. to IEC/EN 60598-1 (or specific standards related to different lighting applications) must be observed.
- The following points must be observed when connecting LED modules in parallel:
 - All LED strings that are wired in parallel must contain the same number of LEDs (symmetrical loading).
 - Owing to differing forward voltage, there can be a difference of up to 10% in brightness between modules connected in parallel.
 - For this installation setup, please notify us when placing your order.
- To ensure problem-free operation, the specified maximum temperature at the tp point (see "Operating Life") must be observed (and measured in accordance with IEC 62717 – Annex H).
- In the event of outdoor applications or applications in damp locations, care must be taken to protect LED modules against humidity, splashes and jets of water. Any corrosion damage resulting from humidity or contact with condensation will not be recognized as a defect or manufacturing fault. LED modules are not specifically protected against foreign bodies or dust. Depending on the type of application, further protection must be provided to prevent ingress.
- Due to the manufacturing process, the PCBs of the LED modules can have sharp edges and corners. Care must therefore be taken during handling and installation to avoid injury.
- Constant current drivers require for an optimal usage that the modules are connected in series. For this type of usage, there must be ensured that the quantity of LED modules is limited by the sum of forward voltage and the capacity of used constant current driver. Safety regulations acc. to IEC/EN 60598 must be observed if the sum of forward voltage exceeds the permitted touchable value.
- There is a list of chemical substances (as sulfur) that has been proved to make the LED module damaged. Also, in chemically enriched (aggressive) environments the LED module functionality can be compromised, or they can even cause total module failure. Keep attention to this aspect before installing the LED module.
- The photobiological safety of the LED modules must be classified into risk groups in accordance with IEC/EN 62471 and IEC/EN 62471-7.

APPLIED STANDARDS

IEC / EN 62031
LED modules for general lighting – Safety specifications

IEC 62717
LED modules for general lighting - Performance requirements

IEC/EN 60598-1
Luminaires – Part 1: General requirements and tests

IEC/EN 62471
Photobiological safety of lamps and lamp systems

IEC 61000-4-5
Electromagnetic compatibility (EMC) – Part 4-5: Testing and measurement techniques – Surge immunity test