

LightMAX

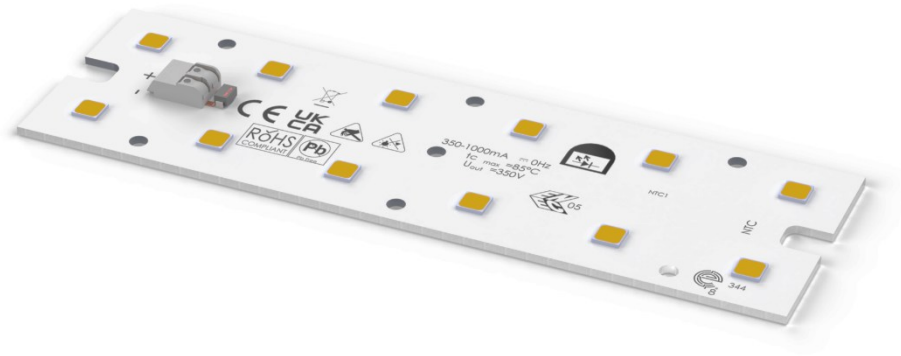
R0344

2x6 power LED module



7 YEARS WARRANTY

CC CONSTANT CURRENT



FEATURES

- PCB dimension: 147x45mm
- Up to 6250 lm
- Up to 190 lm/W
- CRI 70
- Max Electrical Insulation 250V
- Max 6 LED boards in series
- Connection type: Wago 4mm 2 pole
- Lifetime > 100.000h @ 700mAI_{if}<math><1050\text{mA}</math> L90B10
- Both white and black PCB available
- NTC option on request
- Suitable for RED [Relamping Kit](#)
- [3535 version available \(code: R0168\)](#)

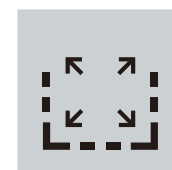
APPLICATIONS



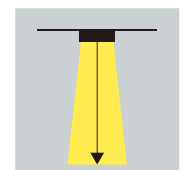
Street



Industrial



Area



High Bay

LightMAX

R0344

2x6 power LED module



7 YEARS WARRANTY

CC CONSTANT CURRENT

Code	CCT	CRI	Current [mA]	Voltage [V]	Power [W]	Total Lumen [lm]	Lm/W	Energy Efficiency
R0344012770	2700K	70	700	33,5	23,5	4150	175	C
			1000	34,7	34,7	5760	166	D
R0344013070	3000K		700	33,5	23,5	4300	182	C
			1000	34,7	34,7	5965	172	D
R0344014070	4000K		700	33,5	23,5	4470	190	C
			1000	34,7	34,5	6250	180	C
R0344015070	5000K		700	33,5	23,5	4470	190	C
			1000	34,7	34,5	6250	180	C

Flux tolerance +/- 10%
Vf Tolerance +/- 5%

Ask for more information about available LED and other options.

LED and board features	
LED number	12
LED type	5050
Circuit	S6P2
Material	MCPCB
Solder	White or Matt Black (on request)
Connections	
Cable	Solid 0,2-0,8mm ² Strand 0,45-0,7mm ²
Connector	1x Wago 4mm 2 pole (2 for NTC option)
Power	
Abs. Max Input current CC	1600mA
Mechanical Data	
H x L	147x45mm
Thickness	6,1mm
Conditions	
Max. temp. (Tp)	90°C
Max. temp. (Tc)	85°C
Operating temp. Range	-40°C +65°C

LightMAX

R0344

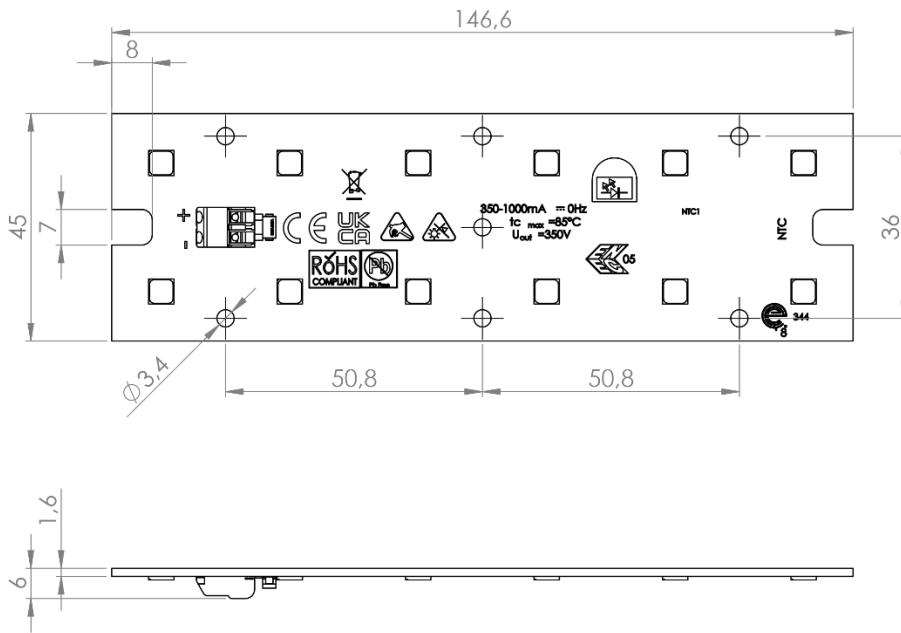
2x6 power LED module



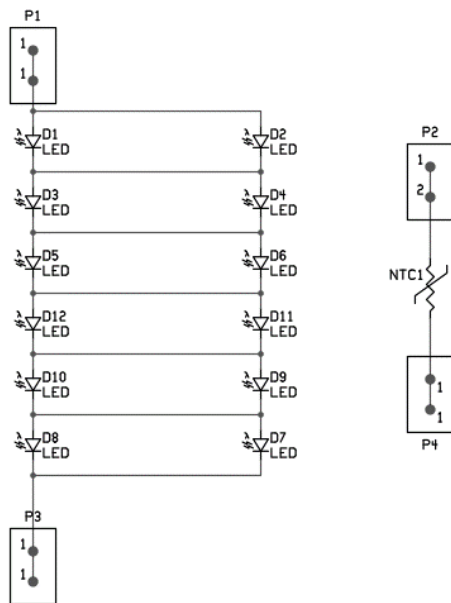
7 YEARS WARRANTY

CC CONSTANT CURRENT

MECHANICAL DRAWING



ELECTRICAL CIRCUIT



LightMAX

R0344

Accessories



7 YEARS WARRANTY

CC CONSTANT CURRENT



LED optics: STRADA-IP-2X6 series + Waterproof Gasket	
Models	CS15671_STRADA-IP-2X6-DWC-B CS14055_STRADA-IP-2X6-T2 CS14143_STRADA-IP-2X6-T3 CS14144_STRADA-IP-2X6-ME CS15020_STRADA-IP-2X6-VSM CS15158_STRADA-IP-2X6-T4-B CS15418_STRADA-IP-2X6-SCL CS15870_STRADA-IP-2X6-T2-L CS15871_STRADA-IP-2X6-T3-L CS16401_STRADA-IP-2X6-PX
Dimension (LxWxH) – Type	173x71,4x13,15mm – 12in1
Material	PMMA @ -40°C ~ +70°C
Efficiency	> 90%
Thermal interface: IREPAD-147X45	
Dimension – Thickness	147x45mm – 0,23mm
Thermal conductivity	1,5 W/mK
Heat sink: HS-ANOD-168-G2	
Dimension (LxWxH)	200x70x40mm
Material	Anodized aluminium
Thermal wattage	70W
Power supply: BLD-075-C	
Dimension (LxWxH)	131x68x33,5mm (body) - 158x68x33,5mm (endcaps included)
Protection type	IP67
Output	<75W
Input	90-305Vac

LightMAX

R0344

Accessories

7 YEARS WARRANTY

CE R0HS COMPLIANT Pb-Free RoHS 05
CC CONSTANT CURRENT

MECHANICAL DRAWING - IP 2x6 RELAMPING KIT

